

# 金輪牌工業用縫紉機

GOLDEN WHEEL INDUSTRIAL SEWING MACHINE

## 零件分解圖

PARTS BOOK

MODEL CS-8910  
CS-8910S  
CS-8910C  
CS-8910SC

啟翔股份有限公司  
*CHEE SIANG INDUSTRIAL CO., LTD.*

# MODEL : CS-8910

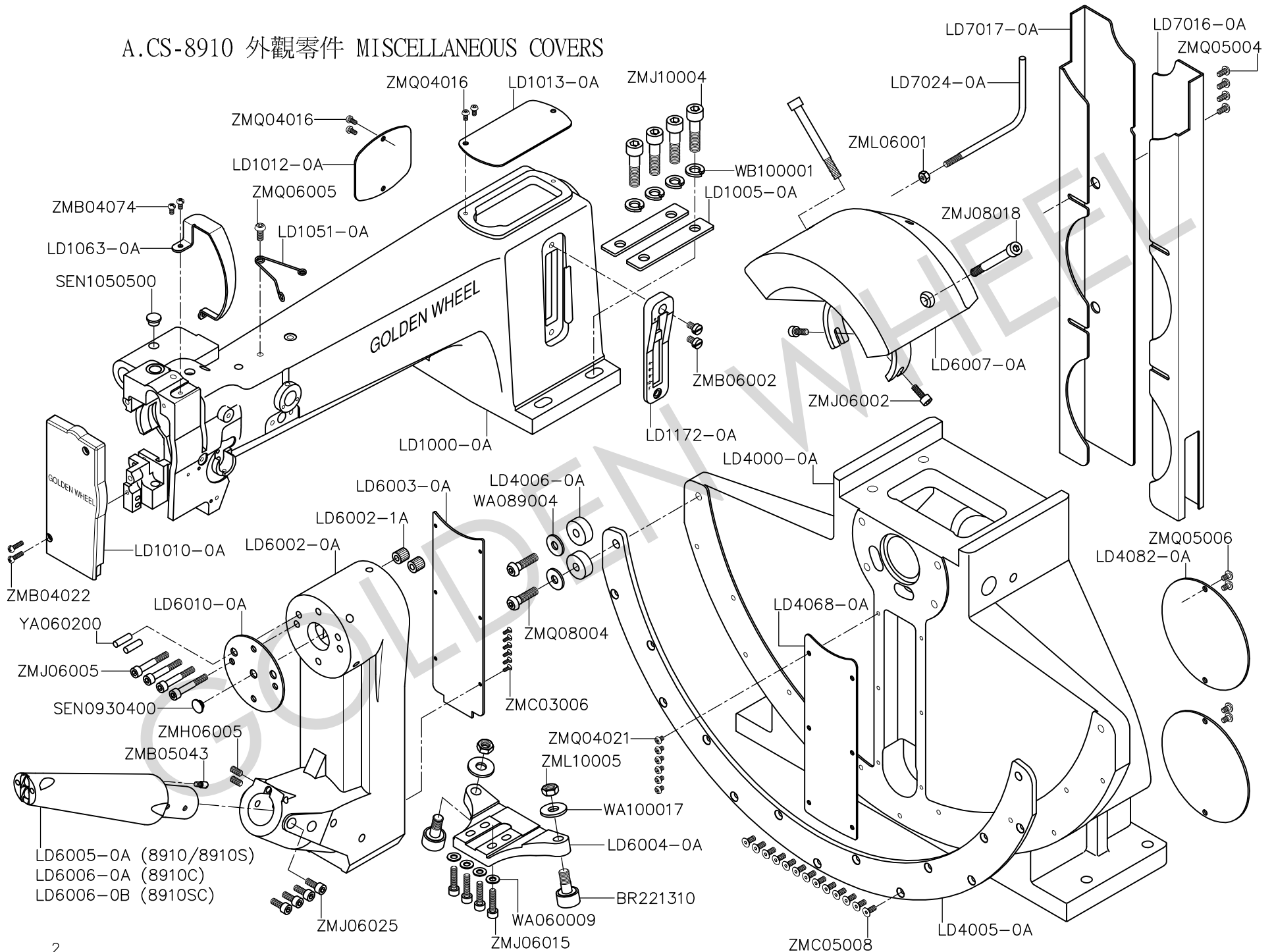
索引	INDEX	PAGE
A、外觀零件 -----	MISCELLANEOUS COVERS -----	2-3
B、上軸機構 -----	UPPER SHAFT MECHANISM -----	4-5
C、針棒座. 天秤機構 -----	NEEDLE BAR FRAME & THREAD TAKE-UP MECHANISM -----	6-7
D、縫線壓力調整機構 -----	THREAD TENSION REGULATION MECHANISM -----	8-9
E、押腳機構 -----	PRESSER LIFT MECHANISM -----	10-11
F、搖臂軸機構 -----	SWINGING SHAFT MECHANISM -----	12-13
G、梭頭定位機構 -----	HOOK POSITIONING MECHANISM -----	14-15
H、腳架組件 -----	STAND COMPONENTS -----	16-17
I、附件 -----	ACCESSORIES -----	18-19
J、零件號碼與頁數對照表 -----	NUMERICAL PARTS-LIST -----	20-22

## 專用件標記說明

## Exclusive Parts Identification Symbols

(S)	CS-8910S 用	For CS-8910S
(C)	CS-8910C 用	For CS-8910C
(SC)	CS-8910SC 用	For CS-8910SC

# A.CS-8910 外觀零件 MISCELLANEOUS COVERS



A. CS-8910 外觀零件 MISCELLANEOUS COVERS

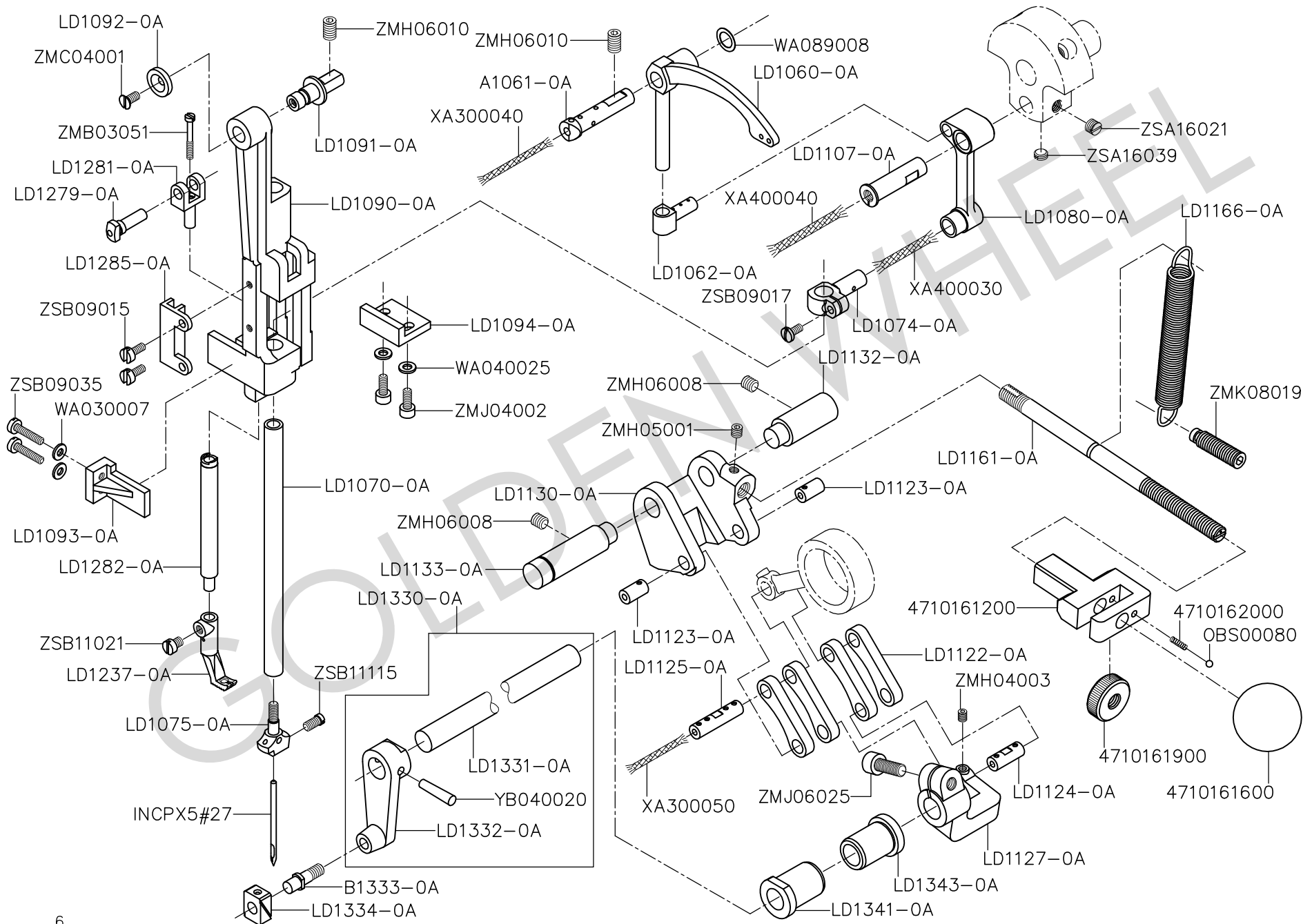
零件號碼 Part No.	零件名稱	Name of Part	件數 Q'TY	零件號碼 Part No.	零件名稱	Name of Part	件數 Q'TY	備註 Remarks
BR221310	帶柄軸承	Roller Bearing	2	SEN1050500	橡膠塞	Rubber Plug	1	
LD1000-0A	車頭	Arm	1	WA060009	墊圈	Washer	4	
LD1005-0A	車頭墊片	Arm Spacer	1	WA089004	墊圈	Washer	2	
LD1010-0A	面板蓋	Face Plate Cover	1	WA100017	墊圈	Washer	2	
LD1012-0A	後蓋板	Back Cover	1	WB100001	彈簧墊圈	Sprig Washer	4	
LD1013-0A	上蓋板	Top Cover	1	YA060200	銷	Pin	2	
LD1051-0A	線掛	Thread Guide	1	ZMB04022	螺絲	Screw (M4-0.7x15)	2	
LD1063-0A	天秤蓋	Thread Take-up Cover	1	ZMB04074	螺絲	Screw (M4-0.7x8)	2	
LD1172-0A	刻度板	Graduation Plate	1	ZMB05043	螺絲	Screw (M5-0.8x8)	1	
LD4000-0A	基座	Machine Base	1	ZMB06002	螺絲	Screw (M6-1.0x10)	2	
LD4005-0A	滾輪導軌	Roller Rail	1	ZMC03006	螺絲	Screw (M3-0.5x6.5)	6	
LD4006-0A	緩衝墊	Rubber Cushion	2	ZMC05008	螺絲	Screw (M5-0.8x12)	13	
LD4068-0A	底座前蓋板	Base Front Cover	1	ZMH06005	螺絲	Screw (M6-1.0x12)	2	
LD4082-0A	底座後蓋板	Base Back Cover	1	ZMJ06002	螺絲	Screw (M6-1.0x15)	2	
LD6002-0A	旋轉臂	Swing Arm	1	ZMJ06005	螺絲	Screw (M6-1.0x40)	4	
LD6002-1A	銷孔套管	Bushing	2	ZMJ06015	螺絲	Screw (M6-1.0x25)	4	
LD6003-0A	搖臂蓋板	Swing Arm Cover	1	ZMJ06025	螺絲	Screw (M6-1.0x16)	4	
LD6004-0A	搖臂滾輪座	Roller Bracket	1	ZMJ08018	螺絲	Screw (M8-1.25x80)	2	
LD6005-0A	旋轉柄	Swing Handle	1	ZMJ10004	螺絲	Screw (M10-1.5x40)	4	
LD6006-0A	旋轉柄	Swing Handle	1	ZML06001	螺帽	Nut	1	
LD6006-0B	旋轉柄	Swing Handle	1	ZML10005	螺帽	Nut	2	
LD6007-0A	配重塊組	Counterweight Asm.	1	ZMQ04016	螺絲	Screw (M4-0.7x8)	4	
LD6010-0A	搖臂軸蓋板	Swing Arm Cover	1	ZMQ04021	螺絲	Screw (M4-0.7x6)	6	
LD7016-0A	皮帶蓋(左)	Belt Cover (Left)	1	ZMQ05004	螺絲	Screw (M5-0.8x10)	4	
LD7017-0A	皮帶蓋(右)	Belt Cover (Right)	1	ZMQ05006	螺絲	Screw (M5-0.8x8)	2	
LD7024-0A	定位棒	Positioning Bar	1	ZMQ06005	螺絲	Screw (M6-1.0x14)	1	
SEN0930400	橡膠塞	Rubber Plug	1	ZMQ08004	螺絲	Screw (M8-1.25x30)	2	



B. CS-8910 上軸機構 UPPER SHAFT MECHANISM

零件號碼 Part No.	零件名稱	Name of Part	件數 Q'TY	零件號碼 Part No.	零件名稱	Name of Part	件數 Q'TY	備註 Remarks
A1130-0A	油棉固定彈簧	Spring	1	LD1820-0A	皮帶輪軸套	Pulley Bushing	1	
BB6003ZZ	軸承	Bearing	1	LD1821-0A	皮帶輪墊片(一)	Disk (1)	1	
BB6003ZZNR	軸承	Bearing	1	LD1822-0A	皮帶輪墊片(二)	Disk (2)	2	
BB6004ZZNR	軸承	Bearing	1	LD1823-0A	皮帶輪墊片(三)	Disk (3)	2	
BB6203ZZNR	軸承	Bearing	1	LD1825-0A	調整螺帽	Adjusting Nut	1	
BN252913	滾針軸承	Needle Bearing	1	RB200200	C扣環	C-Ring	2	
LD1100-0A	上軸	Upper Shaft	1	RB200250	C扣環	C-Ring	1	
LD1102-0A	上軸中套管	Upper Shaft Bushing (Middle)	1	WC280001	盤形墊圈	Washer	3	
LD1103-0A	上軸套管	Upper Shaft Bushing	1	WH225001	墊圈	Washer	1	
LD1105-0A	手輪	Hand Wheel	1	XB206003	油棉	Felt	1	
LD1106-0A	平衡凸輪	Crank Cam	1	YA080300A	銷	Pin	1	
LD1116-0A	送料偏心輪	Feed Eccentric	1	ZMA07001	螺絲	Screw (M7-1.0x16.5)	1	
LD1121-0A	送料驅動連桿	Feed Driving Link	1	ZMB07001	螺絲	Screw (M7-1.0x21)	1	
LD1297-0A	連桿	Connector	1	ZMH04003	螺絲	Screw (M4-0.7x5)	1	
LD1298-0A	上下交換偏心輪	Up-down Alternating Eccentric	1	ZMH06002	螺絲	Screw (M6-1.0x7.5)	10	
LD1319-0A	皮帶輪微調座	Pulley Adjusting Base	1	ZMH06005	螺絲	Screw (M6-1.0x12)	1	
LD1320-0A	上軸皮帶輪	Upper Shaft Pulley	1	ZMH08004	螺絲	Screw (M8-1.25x16)	2	
LD1322-0A	齒形皮帶輪	Timing Belt Pulley	1	ZMH08006	螺絲	Screw (M8-1.25x)	2	
LD1488-0A	鬆線凸輪	Tension Releasing Cam	1					

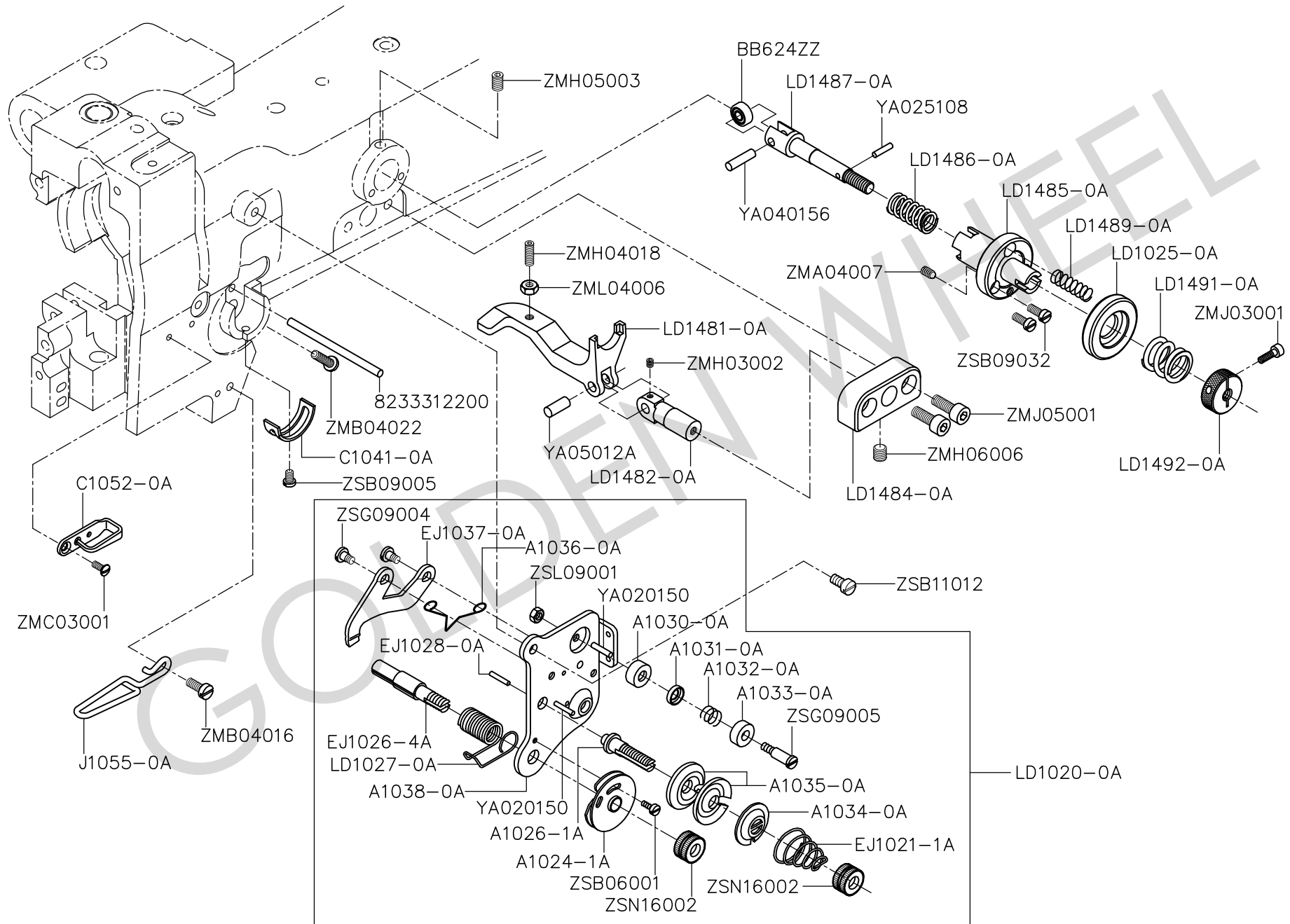
C.CS-8910 針棒座.天秤機構 NEEDLE BAR FRAME & THREAD TAKE-UP MECHANISM



C. CS-8910 針棒座. 天秤機構 NEEDLE BAR FRAME & THREAD TAKE-UP MECHANISM

零件號碼 Part No.	零件名稱	Name of Part	件數 Q'TY	零件號碼 Part No.	零件名稱	Name of Part	件數 Q'TY	備註 Remarks
4710161200	倒針槓桿	Stitch Lever	1	LD1285-0A	內押腳導槽	Walking Presser Guide	1	
4710161600	調節槓握	Lever Grip	1	LD1330-0A	針棒座搖動軸組	Needle Bar Frame Shaft Asm	1	
4710161900	螺帽	Nut	1	LD1331-0A	針棒座搖桿軸	Needle Bar Frame Shaft	1	
4710162000	壓縮彈簧	Spring	1	LD1332-0A	針棒座搖動臂	Needle Bar Frame Arm	1	
A1061-0A	天秤心	Take-up Lever Support Stud	1	LD1334-0A	針棒座擺動滑塊	Needle Bar Frame Guiding Block	1	
B1333-0A	針棒擺動滑塊軸	Needle Bar Rock Frame Slide Block	1	LD1341-0A	針棒搖動軸套管(前)	Needle Bar Frame Shaft Bushing	1	
INCPX5#27	針	Needle	1	LD1343-0A	針棒搖動軸套管(後)	Needle Bar Frame Shaft Bushing	1	
LD1060-0A	天秤	Thread Take-up Lever	1	OBS00080	鋼球	Ball	1	
LD1062-0A	天秤滑塊	Take-up Slide Block	1	WA030007	墊片	Washer	2	
LD1070-0A	針棒	Needle Bar	1	WA040025	墊片	Washer	2	
LD1074-0A	針棒固定軸	Needle Bar Holder	1	WA089008	墊片	Washer	1	
LD1075-0A	針鉗	Needle Clamp	1	XA300040	油線	Oil Wick	1	
LD1080-0A	針棒連桿	Needle Bar Link	1	XA300050	油線	Oil Wick	1	
LD1090-0A	針棒座	Needle Bar Frame	1	XA400030	油線	Oil Wick	1	
LD1091-0A	針棒座支軸	Needle Bar Frame Shaft	1	XA400040	油線	Oil Wick	1	
LD1092-0A	針棒座支軸端蓋	Needle Bar Frame Shaft Cover	1	YB040020	推拔銷	Tapered Pin	1	
LD1093-0A	針棒座導板(左)	Needle Bar Frame Guide Plate (Left)	1	ZMB03051	螺絲	Screw (M3-0.5x22.5)	1	
LD1094-0A	針棒座導板(右)	Needle Bar Frame Guide Plate (Right)	1	ZMC04001	螺絲	Screw (M4-0.7x8.5)	1	
LD1107-0A	曲柄軸	Crank Shaft	1	ZMH04003	螺絲	Screw (M4-0.7x5)	1	
LD1122-0A	差動鍊板	Differential Plate	4	ZMH05001	螺絲	Screw (M5-0.8x5)	1	
LD1123-0A	差動擺臂銷	Differential Drive Link Pin	2	ZMH06008	螺絲	Screw (M6-1.0x6)	2	
LD1124-0A	差動鍊板銷	Differential Drive Link Pin	1	ZMH06010	螺絲	Screw (M6-1.0x10)	2	
LD1125-0A	差動鍊板銷	Differential Drive Link Pin	1	ZMJ04002	螺絲	Screw (M4-0.7x10)	2	
LD1127-0A	送料驅動腕	Feed Lever	1	ZMJ06025	螺絲	Screw (M6-1.0x16)	1	
LD1130-0A	針距變動腕	Feed Regulating Lever	1	ZMK08019	螺絲	Screw (M8-1.25x30)	1	
LD1132-0A	差動腕支軸(右)	Differential Arm Shaft (Right)	1	ZSA16021	螺絲	Screw (1/4-28x5)	1	
LD1133-0A	差動腕支軸(左)	Differential Arm Shaft (Left)	1	ZSA16039	螺絲	Screw (1/4-28x2.5)	1	
LD1161-0A	倒縫桿	Reverse Stitch Lever	1	ZSB09015	螺絲	Screw (9/64-40x9)	2	
LD1166-0A	拉伸彈簧	Tension Spring	1	ZSB09017	螺絲	Screw (9/64-40x8)	1	
LD1237-0A	內押腳	Walking Presser	1	ZSB09035	螺絲	Screw (9-64-40x17)	2	
LD1279-0A	內押腳連桿銷	Walking Presser Link Pin	1	ZSB11021	螺絲	Screw (11-64-40x5.5)	1	
LD1281-0A	內押腳軸架	Walking Presser Bar Holder	1	ZSB11115	螺絲	Screw (11/64-40x8)	1	
LD1282-0A	押腳棒	Presser Bar	1					

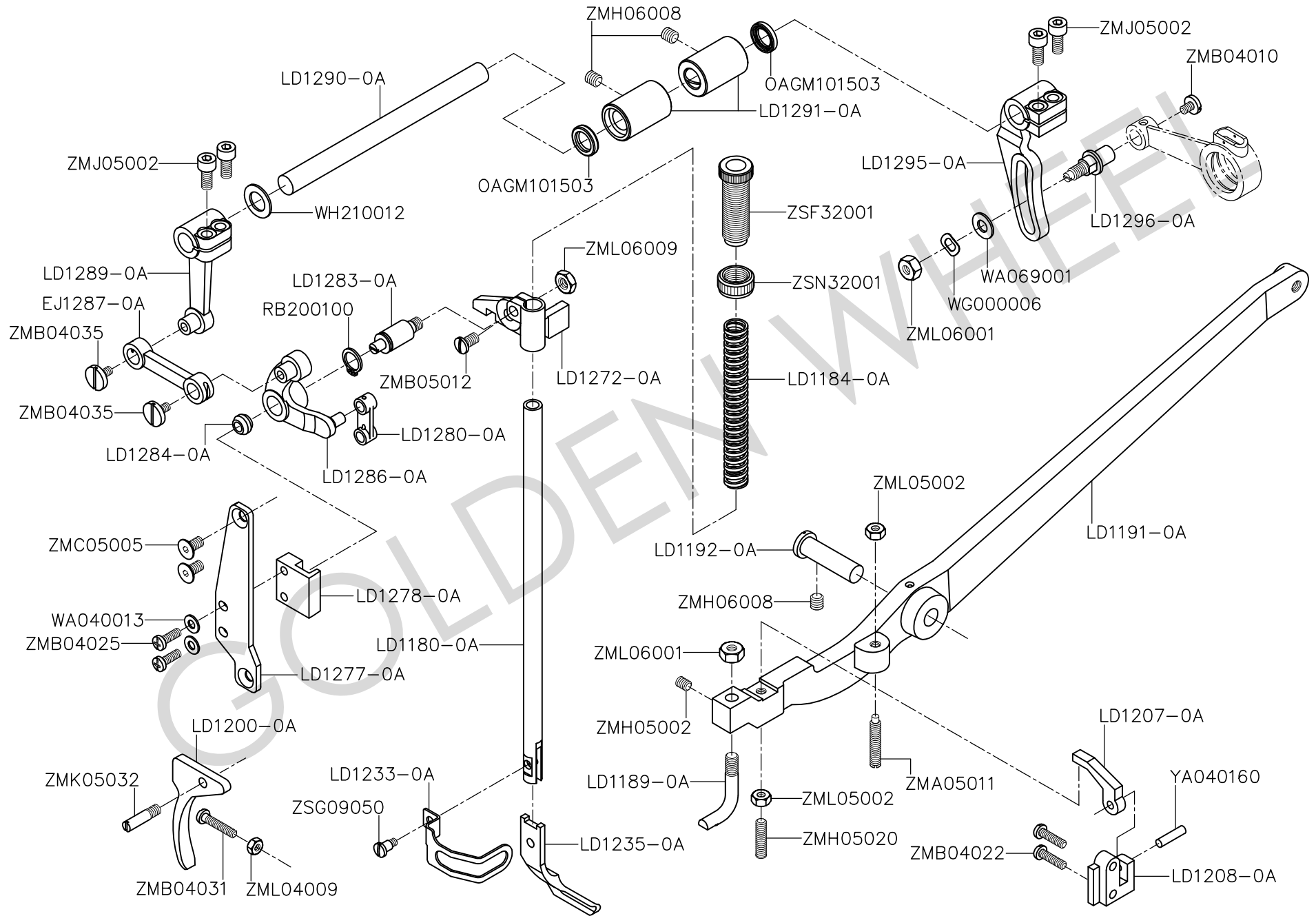
D.CS-8910 縫線壓力調整機構 THREAD TENSION REGULATING MECHANISM



D. CS-8910 縫線壓力調整機構 THREAD TENSION REGULATION MECHANISM

零件號碼 Part No.	零件名稱	Name of Part	件數 Q'TY	零件號碼 Part No.	零件名稱	Name of Part	件數 Q'TY	備註 Remarks
8233312200	鬆線銷	Tension Releasing Pin	1	LD1487-0A	滾輪導柱	Roller Driven Shaft	1	
A1024-1A	天秤線掛組	Thread Take-Up Guide Asm.	1	LD1489-0A	鬆線彈簧	Tension Releasing Spring	1	
A1026-1A	壓力調節螺絲棒	Thread Tension Stud	1	LD1491-0A	壓線盤彈簧	Tension Disc Spring	1	
A1030-0A	過線孔台	Thread Guide Bracket	1	LD1492-0A	調整螺母	Lock Nut	1	
A1031-0A	過線孔圓盤	Thread Guide Disc	1	YA020150	銷	Pin	2	
A1032-0A	壓力彈簧	Thread Tension Spring	1	YA025108	銷	Pin	1	
A1033-0A	過線孔內蓋	Controller Cover	1	YA040156	銷	Pin	1	
A1034-0A	壓力調整器壓盤	Tension Regulator Presser Disc	1	YA05012A	銷	Pin	1	
A1035-0A	壓力盤	Tension Disc	2	ZMA04007	螺絲	Screw (M4-0.7x7.5)	1	
A1036-0A	壓板彈簧	Tension Releasing Spring	1	ZMB04016	螺絲	Screw (M4-0.7x10)	1	
A1038-0A	上線壓力板	Upper Thread Tension Plate	1	ZMB04022	螺絲	Screw (M4-0.7x15)	1	
BB624ZZ	軸承	Bearing	1	ZMC03001	螺絲	Screw (M3-0.5x8.5)	1	
C1041-0A	吊線彈簧擋板	Spring Rest Plate	1	ZMH03002	螺絲	Screw (M3-0.5x3)	1	
C1052-0A	線卦	Thread Guide	1	ZMH04018	螺絲	Screw (M4-0.7x12)	1	
EJ1021-1A	調整彈簧	Tension Spring	1	ZMH05003	螺絲	Screw (M5-0.8x8)	1	
EJ1026-4A	調整螺絲桿	Thread Tension Stud	1	ZMH06006	螺絲	Screw (M6-1.0x6)	1	
EJ1028-0A	鬆線銷	Tension Releasing Pin	1	ZMJ03001	螺絲	Screw (M3-0.5x10)	1	
EJ1037-0A	彈簧板	Tension Releasing Plate	1	ZMJ05001	螺絲	Screw (M5-0.8x14)	2	
J1055-0A	線卦	Thread Guide	1	ZML04006	螺帽	Nut	1	
LD1020-0A	上線張力調整組	Thread Tension Regulator Asm.	1	ZSB06001	螺絲	Screw (3/32-56x)	1	
LD1025-0A	壓線盤	Tension Disc	1	ZSB09005	螺絲	Screw (9/64-40x5)	1	
LD1027-0A	吊線彈簧	Thread take-up Spring	1	ZSB09032	螺絲	Screw (9/64-40x8.5)	2	
LD1481-0A	鬆線桿	Tension Releasing Stud	1	ZSB11012	螺絲	Screw (11/64-40x8)	1	
LD1482-0A	鬆線桿支撐軸	Tension Releasing Stud Shaft	1	ZSG09004	螺絲	Screw (9/64-40x2.5)	2	
LD1484-0A	鬆線軸固定座	Tension Releasing Shaft Bracket	1	ZSG09005	螺絲	Screw (9/64-40x7)	1	
LD1485-0A	壓線盤調整座	Tension Disc Bracket	1	ZSL09001	螺帽	Nut	1	
LD1486-0A	壓縮彈簧	Thread Tension spring	1	ZSN16002	螺帽	Nut	1	

# E.CS-8910 押腳機構 PRESSER LIFT MECHANISM



E. CS-8910 押腳機構 PRESSER LIFT MECHANISM

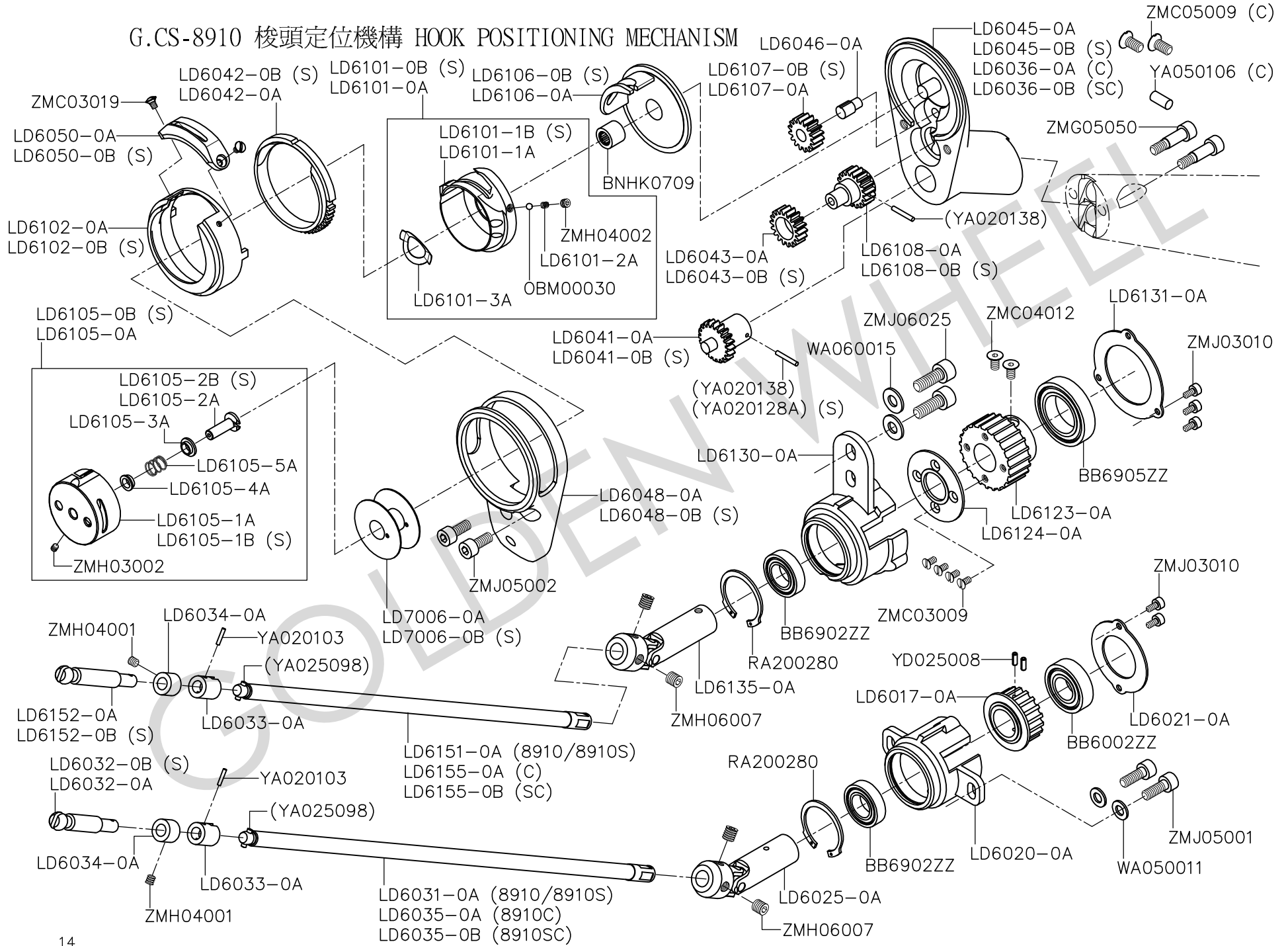
零件號碼 Part No.	零件名稱	Name of Part	件數 Q'TY	零件號碼 Part No.	零件名稱	Name of Part	件數 Q'TY	備註 Remarks
EJ1287-0A	舉升搖軸連桿	Feed Lifting Rock Shaft Link	1	WA040013	平墊圈	Washer	2	
LD1180-0A	壓腳棒	Presser Bar	1	WA069001	平墊圈	Washer	1	
LD1184-0A	壓腳彈簧	Presser Spring	1	WG000006	墊圈	Washer	1	
LD1189-0A	壓棒提桿	Presser Bar Lifter	1	WH210012	墊圈	Washer	1	
LD1191-0A	壓腳提升桿	Presser foot Lifter	1	YA040160	銷	Pin	1	
LD1192-0A	壓棒提桿銷	Presser Lifter Pin	1	ZMA05011	螺絲	Screw (M5-0.8x28)	1	
LD1200-0A	壓腳提桿	Presser Foot Lifter	1	ZMB04010	螺絲	Screw (M4-0.7x6)	1	
LD1207-0A	鬆線推桿	Tension Release Lever	1	ZMB04022	螺絲	Screw (M4-0.7x15)	2	
LD1208-0A	壓棒座導板	Presser Bar Guide	1	ZMB04025	螺絲	Screw (M4-0.7x12)	2	
LD1233-0A	護手環	Finger Guard	1	ZMB04031	螺絲	Screw (M4-0.7x20)	1	
LD1235-0A	外壓腳	Outer Presser Foot	1	ZMB04035	螺絲	Screw (M4-0.7x8)	2	
LD1272-0A	壓棒升降座	Presser Bar Bracket	1	ZMB05012	螺絲	Screw (M5-0.8x9)	1	
LD1277-0A	導槽固定板	Bracket Plate	1	ZMC05005	螺絲	Screw (M5-0.8x10)	2	
LD1278-0A	滾輪導槽	Roller Guide	1	ZMH05002	螺絲	Screw (M5-0.8x6)	1	
LD1280-0A	內壓腳連桿	Walking Presser Foot Link	1	ZMH05020	螺絲	Screw (M5-0.8x20)	1	
LD1283-0A	滾輪軸	Roller Shaft	1	ZMH06008	螺絲	Screw (M6-1.0x6)	3	
LD1284-0A	滾輪	Roller	1	ZMJ05002	螺絲	Screw (M5-0.8x12)	4	
LD1286-0A	L 型連桿	Angle Link	1	ZMK05032	螺絲	Screw (M5-0.8x21)	1	
LD1289-0A	壓腳交替擺臂	Presser Driving Arm	1	ZML04009	螺帽	Nut	1	
LD1290-0A	壓腳變換軸	Presser Driving Shaft	1	ZML05002	螺帽	Nut	2	
LD1291-0A	上下交換軸套管	Bushing	2	ZML06001	螺帽	Nut	2	
LD1295-0A	上下交換擺臂	Radius Adjusting Lever	1	ZML06009	螺帽	Nut	1	
LD1296-0A	擺臂長調整銷	Radius Setting Pin	1	ZSF32001	螺帽	Adjusting Screw	1	
OAGM101503	油封	Oil Seal	2	ZSG09050	螺絲	Screw (9/64-40x4)	1	
RB200100	軸用 C 扣環	C-Ring	1	ZSN32001	螺帽	Nut	1	



F. CS-8910 搖臂軸機構 SWINGING SHAFT MECHANISM

零件號碼 Part No.	零件名稱	Name of Part	件數 Q'TY	零件號碼 Part No.	零件名稱	Name of Part	件數 Q'TY	備註 Remarks
BB6000ZZ	軸承 -----	Bearing -----	1	LD6015-0A	皮帶輪壓板 ---	Pulley Clamp -----	1	
BB628ZZ	軸承 -----	Bearing -----	2	LD6120-0A	下軸心 -----	Lower Shaft -----	1	
BB6905ZZ	軸承 -----	Bearing -----	2	LD6121-0A	下軸皮帶輪 ---	Lower Shaft Pulley -----	1	
BB7006A	軸承 -----	Bearing -----	1	LD6122-0A	齒形皮帶 -----	Timing Belt -----	1	
LD4011-0A	齒輪箱下軸 ----	Gear Box Upper Shaft -----	1	WA060004	平墊圈 -----	Washer -----	2	
LD4012-0A	齒輪箱上軸 ----	Gear Box Lower Shaft -----	1	WH208015	墊圈 -----	Washer -----	1	
LD4013-0A	齒輪箱 -----	Gear Box -----	1	WH208016	墊圈 -----	Washer -----	1	
LD4014-0A	齒輪箱蓋 -----	Gear Box Cover -----	1	YA050150	銷 -----	Pin -----	2	
LD4021-0A	齒輪軸皮帶輪 ---	Gear Shaft Pulley -----	1	YA050198	銷 -----	Pin -----	2	
LD4023-0A	齒輪墊片 -----	Gear Spacer -----	2	ZMC05008	螺絲 -----	Screw (M5-0.8x12) -----	1	
LD4025-0A	橢圓形齒輪(下) --	Elliptical Gear (Lower) -----	1	ZMH06002	螺絲 -----	Screw (M6-1.0x7.5) -----	2	
LD4026-0A	橢圓形齒輪(上) --	Elliptical Gear (Upper) -----	1	ZMH06004	螺絲 -----	Screw (M6-1.0x10) -----	2	
LD4064-0A	旋臂軸後蓋 ----	Swing Arm Cover -----	1	ZMH08001	螺絲 -----	Screw (M8-1.25x7) -----	3	
LD6000-0A	搖臂固定架 ----	Swing Arm Bracket -----	1	ZMJ04012	螺絲 -----	Screw (M4-0.7x16) -----	4	
LD6001-0A	搖臂軸 -----	Swing Arm Shaft -----	1	ZMJ04027	螺絲 -----	Screw (M4-0.7x12) -----	4	
LD6011-0A	軸承壓板 -----	Bearing Clamp -----	1	ZMJ05007	螺絲 -----	Screw (M5-0.8x16) -----	4	
LD6012-0A	定位皮帶輪 ----	Positioning Pulley -----	1	ZMJ06005	螺絲 -----	Screw (M6-1.0x40) -----	2	
LD6013-0A	齒形皮帶 -----	Timing Belt -----	1	ZMJ08007	螺絲 -----	Screw (M8-1.25x20) -----	4	

# G.CS-8910 梭頭定位機構 HOOK POSITIONING MECHANISM



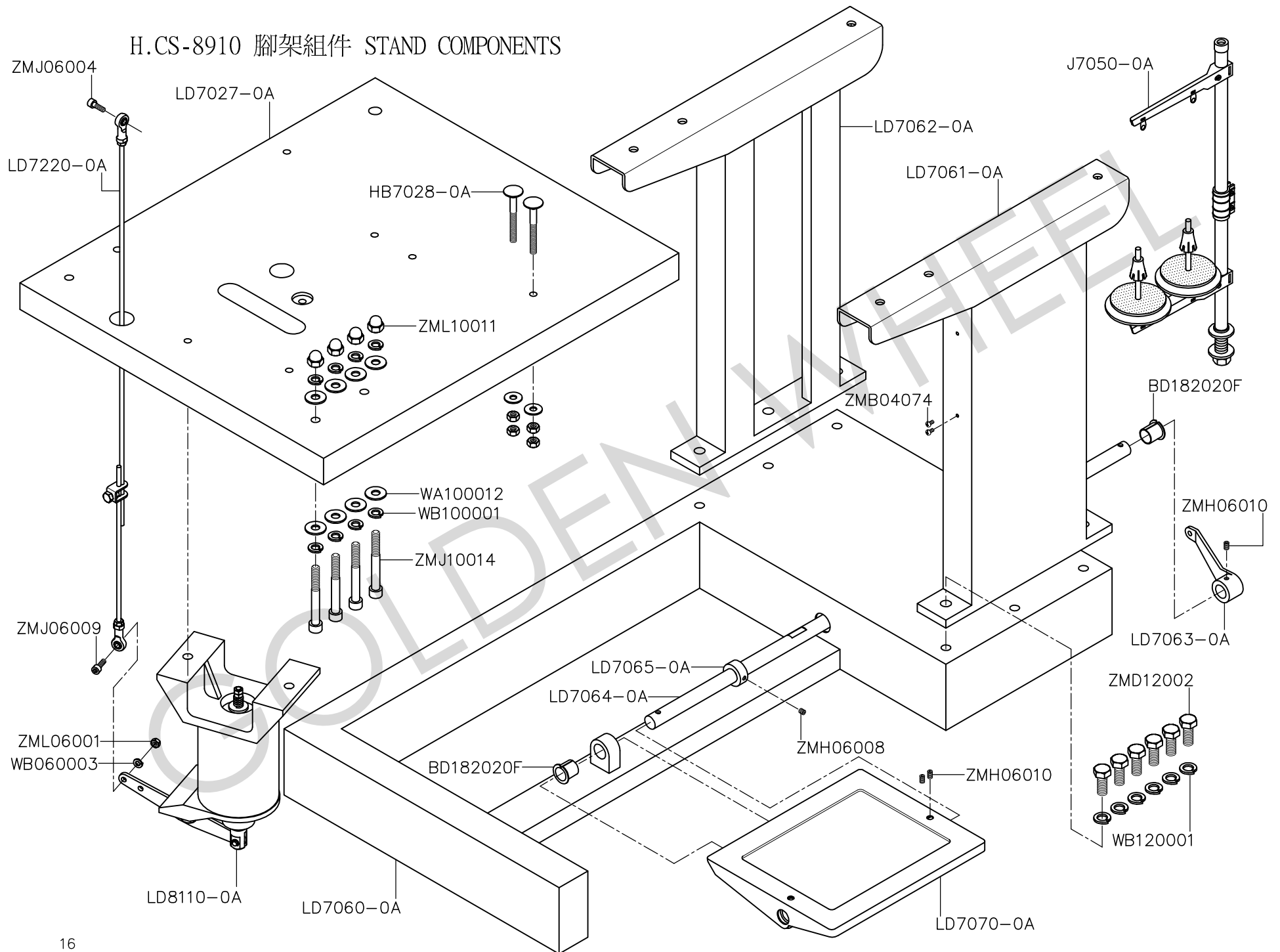
G. CS-8910 梭頭定位機構 HOOK POSITIONING MECHANISM

零件號碼 Part No.	零件名稱 Name of Part	件數 Q'TY	零件號碼 Part No.	零件名稱 Name of Part	件數 Q'TY	備註 Remarks
BB6002ZZ	軸承 ----- Bearing	1	LD6101-1A	旋梭 ----- Rotary Hook	1	
BB6902ZZ	軸承 ----- Bearing	2	LD6101-1B	旋梭 ----- Rotary Hook	1	
BB6905ZZ	軸承 ----- Bearing	1	LD6101-2A	壓縮彈簧 ----- Spring	1	
BNHK0709	滾針軸承 ----- Needle Bearing	1	LD6101-3A	梭子彈片 ----- Bobbin Spring	1	
LD6017-0A	萬向軸皮帶輪(下) Universal Shaft Pulley (Lower)	1	LD6102-0A	旋梭承環 ----- Rotary Hook Race	1	
LD6020-0A	皮帶輪調整座 --- Pulley Adjusting Seat	1	LD6102-0B	旋梭承環 ----- Rotary Hook Race	1	
LD6021-0A	軸承蓋 ----- Bearing Cover	1	LD6105-0A	梭殼組(M) ----- Bobbin Case Asm. (M)	1	
LD6025-0A	萬向接頭(下) ---- Universal Joint (Lower)	1	LD6105-0B	梭殼組(S) ----- Bobbin Case Asm. (S)	1	
LD6031-0A	萬向傳動軸組(下) Universal Drive Shaft Asm.(Lower)	1	LD6105-1A	梭殼 ----- Bobbin Case	1	
LD6032-0A	萬向連接軸(下) -- Universal Joint Shaft (Lower)	1	LD6105-1B	梭殼 ----- Bobbin Case	1	
LD6032-0B	萬向連接軸(下) -- Universal Joint Shaft (Lower)	1	LD6105-2A	梭殼軸心 ----- Bobbin Case Shaft	1	
LD6033-0A	聯軸器 ----- Coupling	1	LD6105-2B	梭殼軸心 ----- Bobbin Case Shaft	1	
LD6034-0A	連接軸套管 ----- Coupling Shaft Bushing	1	LD6105-3A	壓線套環 ----- Presser Ring	1	
LD6035-0A	萬向連接軸(下) -- Universal Joint Shaft (Lower)	1	LD6105-4A	彈簧座圈 ----- Spring Seat	1	
LD6035-0B	萬向連接軸(下) -- Universal Joint Shaft (Lower)	1	LD6105-5A	壓縮彈簧 ----- Spring	1	
LD6036-0A	梭頭支座 ----- Hook Housing	1	LD6106-0A	鉤線器齒輪組 --- Looper Gear Asm.	1	
LD6036-0B	梭頭支座 ----- Hook Housing	1	LD6106-0B	鉤線器齒輪組 --- Looper Gear Asm.	1	
LD6041-0A	定位齒輪組 ----- Position Gear Asm.	1	LD6107-0A	中間齒輪 ----- Middle Gear	1	
LD6041-0B	定位齒輪組 ----- Position Gear Asm.	1	LD6107-0B	中間齒輪 ----- Middle Gear	1	
LD6042-0A	定位環齒輪 ----- Position Gear	1	LD6108-0A	旋梭驅動齒輪組 - Rotary Hook Drive Gear Asm.	1	
LD6042-0B	定位環齒輪 ----- Position Gear	1	LD6108-0B	旋梭驅動齒輪組 - Rotary Hook Drive Gear Asm.	1	
LD6043-0A	中間齒輪 ----- Middle Gear	1	LD6123-0A	萬向軸皮帶輪(上) Universal Shaft Pulley (Upper)	1	
LD6043-0B	中間齒輪 ----- Middle Gear	1	LD6124-0A	皮帶輪端蓋 ----- Pulley Cover	1	
LD6045-0A	梭頭支座 ----- Hook Housing	1	LD6130-0A	皮帶輪調整座 --- Pulley Adjusting Seat	1	
LD6045-0B	梭頭支座 ----- Hook Housing	1	LD6131-0A	軸承蓋 ----- Bearing Cover	1	
LD6046-0A	中間齒輪軸 ----- Middle Gear Shaft	1	LD6135-0A	萬向接頭(上) ---- Universal Joint (Upper)	1	
LD6048-0A	旋梭蓋 ----- Hook Housing Cover	1	LD6151-0A	萬向傳動軸組(上) Universal Drive Shaft Asm.(Upper)	1	
LD6048-0B	旋梭蓋 ----- Hook Housing Cover	1	LD6152-0A	萬向連接軸(上) -- Universal Joint Shaft (Upper)	1	
LD6050-0A	針板 ----- Needle Plate	1	LD6152-0B	萬向連接軸(上) -- Universal Joint Shaft (Upper)	1	
LD6050-0B	針板 ----- Needle Plate	1	LD6155-0A	萬向連接軸(上) -- Universal Joint Shaft (Upper)	1	
LD6101-0A	旋梭組 ----- Rotary Hook Asm.	1	LD6155-0B	萬向連接軸(上) -- Universal Joint Shaft (Upper)	1	
LD6101-0B	旋梭組 ----- Rotary Hook Asm.	1				

-----第 17 頁續

-----Continued on Page 17

# H.CS-8910 腳架組件 STAND COMPONENTS



## H. CS-8910 腳架組件 STAND COMPONENTS

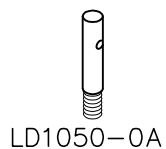
零件號碼 Part No.	零件名稱 Name of Part	件數 Q'TY	接第 15 頁 G. CS-8910	Continued from Page 15 梭頭定位機構 HOOK POSITIONING MECHANISM	零件名稱 Name of Part	件數 Q'TY	備註 Remarks
BD182020F	乾軸承 -----	2	零件號碼	零件名稱	Name of Part	件數	備註
HB7028-0A	馬車螺絲組 -----	2	Part No.			Q'TY	Remarks
J7050-0A	線架 -----	1	LD7006-0A	梭子 -----	Bobbin -----	1	
LD7027-0A	車板 -----	1	LD7006-0B	梭子 -----	Bobbin -----	1	
LD7060-0A	腳架底座 -----	1	OBM00030	鋼球 -----	Ball -----	1	
LD7061-0A	腳架(前) -----	1	RA200280	孔用 C 扣環 ---	C-ring -----	2	
LD7062-0A	腳架(後) -----	1	WA050011	平墊圈 -----	Washer -----	2	
LD7063-0A	拉桿臂 -----	1	WA060015	平墊圈 -----	Washer -----	2	
LD7064-0A	踏板軸 -----	1	YA020103	銷 -----	Pin -----	2	
LD7065-0A	定環 -----	1	YA020128A	銷 -----	Pin -----	1	
LD7070-0A	腳踏板 -----	1	YA020138	銷 -----	Pin -----	2	
LD7220-0A	拉桿組 -----	1	YA025098	銷 -----	Pin -----	2	
LD8110-0A	抬壓腳電磁鐵 ---	1	YA050106	銷 -----	Pin -----	1	
WA100012	墊圈 -----	8	YD025008	彈簧銷 -----	Spring Pin -----	2	
WB060003	彈簧墊圈 -----	1	ZMC03009	螺絲 -----	Screw (M3-0.5x6) -----	4	
WB100001	彈簧墊圈 -----	8	ZMC03019	螺絲 -----	Screw (M3-0.5x5.8) -----	2	
WB120001	彈簧墊圈 -----	6	ZMC04012	螺絲 -----	Screw (M4-0.7x8) -----	2	
ZMB04074	螺絲 -----	2	ZMC05009	螺絲 -----	Screw (M5-0.8x11) -----	2	
ZMD12002	螺絲 -----	6	ZMG05050	螺絲 -----	Screw (M5-0.8x21) -----	2	
ZMH06008	螺絲 -----	1	ZMH03002	螺絲 -----	Screw (M3-0.5x3) -----	1	
ZMH06010	螺絲 -----	3	ZMH04001	螺絲 -----	Screw (M4-0.7x4) -----	2	
ZMJ06004	螺絲 -----	1	ZMH04002	螺絲 -----	Screw (M4-0.7x3) -----	1	
ZMJ06009	螺絲 -----	1	ZMH06007	螺絲 -----	Screw (M6-1.0x5) -----	4	
ZMJ10014	螺絲 -----	4	ZMJ03010	螺絲 -----	Screw (M3-0.5x6) -----	5	
ZML06001	螺帽 -----	1	ZMJ05001	螺絲 -----	Screw (M5-0.8x14) -----	2	
ZML10011	螺帽 -----	4	ZMJ05002	螺絲 -----	Screw (M5-0.8x12) -----	2	
			ZMJ06025	螺絲 -----	Screw (M6-1.0x16) -----	2	

# I.CS-8910 附件 ACCESSORIES



GOLDEN WHEEL

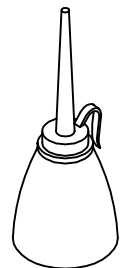
4710910900



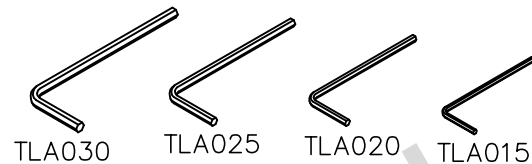
LD1050-0A



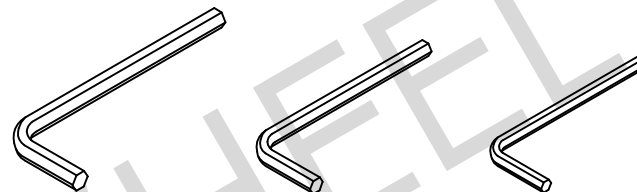
ZML06002



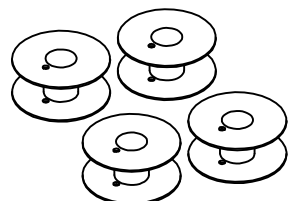
A7012-1A



TLA030 TLA025 TLA020 TLA015



TLA060 TLA050 TLA040



LD7006-0A  
LD7006-0B (S)



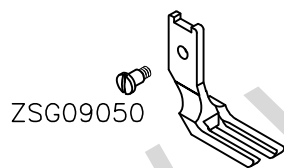
INCPX5#27



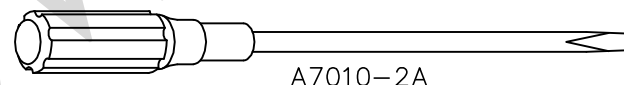
ZMC03019



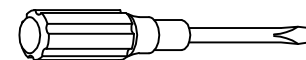
LD6101-3A



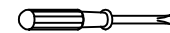
ZSG09050  
LD1235-1A



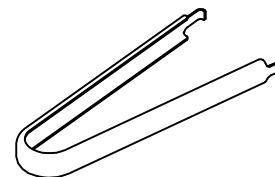
A7010-2A



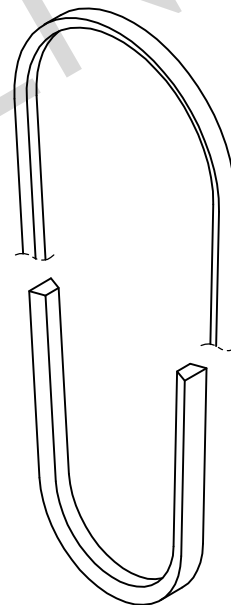
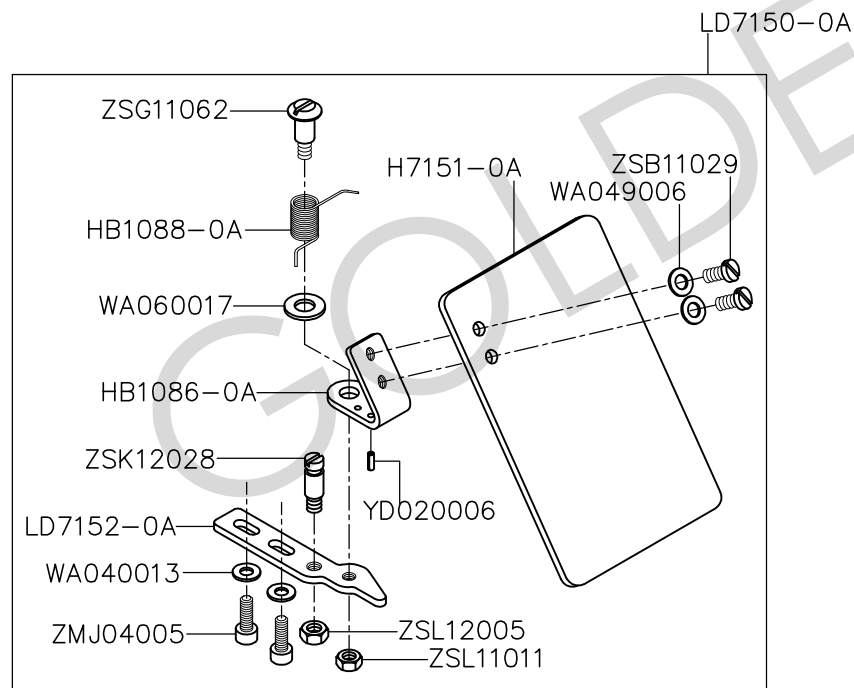
A7010-1A



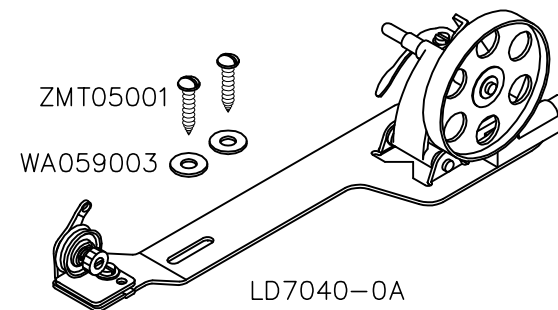
A7010-0A



LD7014-0A



OVM-65



LD7040-0A



ZMT05001  
WA059003

I. CS-8910 附件 ACCESSORIES

零件號碼 Part No.	零件名稱	Name of Part	件數 Q'TY	零件號碼 Part No.	零件名稱	Name of Part	件數 Q'TY	備註 Remarks
4710910900	防塵蓋	Vinyl Cover	1	TLA025	內六角板手(2.5mm)	Hexagonal Wrench(2.5mm)	1	
A7010-0A	螺絲起子(小)	Screw Driver (Small)	1	TLA030	內六角板手(3.0mm)	Hexagonal Wrench(3.0mm)	1	
A7010-1A	螺絲起子(中)	Screw Driver (Medium)	1	TLA040	內六角板手(4.0mm)	Hexagonal Wrench(4.0mm)	1	
A7010-2A	螺絲起子(大)	Screw Driver (Large)	1	TLA050	內六角板手(5.0mm)	Hexagonal Wrench(5.0mm)	1	
A7012-1A	油壺(小)	Oiler (Small)	1	TLA060	內六角板手(6.0mm)	Hexagonal Wrench(6.0mm)	1	
H7151-0A	護目鏡	Safety Glass	1	WA040013	墊圈	Washer	2	
HB1086-0A	固定板	Safety Glass mounting Plate	1	WA049006	墊圈	Washer	2	
HB1088-0A	扭力彈簧	Torsion Spring	1	WA059003	墊圈	Washer	2	
INCPX5#27	針	Needle	1	WA060017	墊圈	Washer	1	
LD1050-0A	線柱	Thread Guide	1	YD020006	彈簧銷	Spring Pin	1	
LD1235-1A	外壓腳	Outer Presser Foot	1	ZMC03019	螺絲	Screw (M3-0.5x5.8)	2	
LD6101-3A	梭子彈片	Bobbin Spring	2	ZMJ04005	螺絲	Screw (M4-0.7x6)	2	
LD7006-0A	梭子	Bobbin	1	ZML06002	螺帽	Nut	1	
LD7006-0B	梭子	Bobbin	1	ZMT05001	木螺絲	Wood Screw	2	
LD7014-0A	梭殼取出夾	Tweezers	1	ZSB11029	螺絲	Screw (11/64-40x7)	2	
LD7040-0A	捲線器組	Bobbin Winder	1	ZSG09050	螺絲	Screw (9/64-40x4)	1	
LD7150-0A	安全鏡片組	Safety Glass Asm.	1	ZSG11062	螺絲	Screw (11/64-40x7)	1	
LD7152-0A	安全鏡片固定板	Safety Glass	1	ZSK12028	螺絲	Screw (3/16-28x4.5)	1	
OVM-65	皮帶	Belt	1	ZSL11011	螺帽	Nut	1	
TLA015	內六角板手(1.5mm)	Hexagonal Wrench(1.5mm)	1	ZSL12005	螺帽	Nut	1	
TLA020	內六角板手(2.0mm)	Hexagonal Wrench(2.0mm)	1					

CS-8910 零件號碼與頁數對照 NUMERICAL PARTS-LIST

零件號碼 PARTS NO.	頁數 PAGE	零件號碼 PARTS NO.	頁數 PAGE	零件號碼 PARTS NO.	頁數 PAGE	零件號碼 PARTS NO.	頁數 PAGE	零件號碼 PARTS NO.	頁數 PAGE
4710161200	7	C1041-0A	9	LD1103-0A	5	LD1285-0A	7	LD4013-0A	13
4710161600	7	C1052-0A	9	LD1105-0A	5	LD1286-0A	11	LD4014-0A	13
4710161900	7	EJ1021-1A	9	LD1106-0A	5	LD1289-0A	11	LD4021-0A	13
4710162000	7	EJ1026-4A	9	LD1107-0A	7	LD1290-0A	11	LD4023-0A	13
4710910900	19	EJ1028-0A	9	LD1116-0A	5	LD1291-0A	11	LD4025-0A	13
8233312200	9	EJ1037-0A	9	LD1121-0A	5	LD1295-0A	11	LD4026-0A	13
A1024-1A	9	EJ1287-0A	11	LD1122-0A	7	LD1296-0A	11	LD4064-0A	13
A1026-1A	9	H7151-0A	19	LD1123-0A	7	LD1297-0A	5	LD4068-0A	3
A1030-0A	9	HB1086-0A	19	LD1124-0A	7	LD1298-0A	5	LD4082-0A	3
A1031-0A	9	HB1088-0A	19	LD1125-0A	7	LD1319-0A	5	LD6000-0A	13
A1032-0A	9	HB7028-0A	17	LD1127-0A	7	LD1320-0A	5	LD6001-0A	13
A1033-0A	9	INCPX5#27	7,19	LD1130-0A	7	LD1322-0A	5	LD6002-0A	3
A1034-0A	9	J1055-0A	9	LD1132-0A	7	LD1330-0A	7	LD6002-1A	3
A1035-0A	9	J7050-0A	17	LD1133-0A	7	LD1331-0A	7	LD6003-0A	3
A1036-0A	9	LD1000-0A	3	LD1161-0A	7	LD1332-0A	7	LD6004-0A	3
A1038-0A	9	LD1005-0A	3	LD1166-0A	7	LD1334-0A	7	LD6005-0A	3
A1061-0A	7	LD1010-0A	3	LD1172-0A	3	LD1341-0A	7	LD6006-0A	3
A1130-0A	5	LD1012-0A	3	LD1180-0A	11	LD1343-0A	7	LD6006-0B	3
A7010-0A	19	LD1013-0A	3	LD1184-0A	11	LD1481-0A	9	LD6007-0A	3
A7010-1A	19	LD1020-0A	9	LD1189-0A	11	LD1482-0A	9	LD6010-0A	3
A7010-2A	19	LD1025-0A	9	LD1191-0A	11	LD1484-0A	9	LD6011-0A	13
A7012-1A	19	LD1027-0A	9	LD1192-0A	11	LD1485-0A	9	LD6012-0A	13
B1333-0A	7	LD1050-0A	19	LD1200-0A	11	LD1486-0A	9	LD6013-0A	13
BB6000ZZ	13	LD1051-0A	3	LD1207-0A	11	LD1487-0A	9	LD6015-0A	13
BB6002ZZ	15	LD1060-0A	7	LD1208-0A	11	LD1488-0A	5	LD6017-0A	15
BB6003ZZ	5	LD1062-0A	7	LD1233-0A	11	LD1489-0A	9	LD6020-0A	15
BB6003ZZNR	5	LD1063-0A	3	LD1235-0A	11	LD1491-0A	9	LD6021-0A	15
BB6004ZZNR	5	LD1070-0A	7	LD1235-1A	19	LD1492-0A	9	LD6025-0A	15
BB6203ZZNR	5	LD1074-0A	7	LD1237-0A	7	LD1820-0A	5	LD6031-0A	15
BB624ZZ	9	LD1075-0A	7	LD1272-0A	11	LD1821-0A	5	LD6032-0A	15
BB628ZZ	13	LD1080-0A	7	LD1277-0A	11	LD1822-0A	5	LD6032-0B	15
BB6902ZZ	15	LD1090-0A	7	LD1278-0A	11	LD1823-0A	5	LD6033-0A	15
BB6905ZZ	13,15	LD1091-0A	7	LD1279-0A	7	LD1825-0A	5	LD6034-0A	15
BB7006A	13	LD1092-0A	7	LD1280-0A	11	LD4000-0A	3	LD6035-0A	15
BD182020F	17	LD1093-0A	7	LD1281-0A	7	LD4005-0A	3	LD6035-0B	15
BN252913	5	LD1094-0A	7	LD1282-0A	7	LD4006-0A	3	LD6036-0A	15
BNHK0709	15	LD1100-0A	5	LD1283-0A	11	LD4011-0A	13	LD6036-0B	15
BR221310	3	LD1102-0A	5	LD1284-0A	11	LD4012-0A	13	LD6041-0A	15

CS-8910 零件號碼與頁數對照 NUMERICAL PARTS-LIST

零件號碼 PARTS NO.	頁數 PAGE	零件號碼 PARTS NO.	頁數 PAGE	零件號碼 PARTS NO.	頁數 PAGE	零件號碼 PARTS NO.	頁數 PAGE	零件號碼 PARTS NO.	頁數 PAGE
LD6041-0B	15	LD6122-0A	13	SEN0930400	3	YA020103	15	ZMC05005	11
LD6042-0A	15	LD6123-0A	15	SEN1050500	3	YA020128A	15	ZMC05008	3,13
LD6042-0B	15	LD6124-0A	15	TLA015	19	YA020138	15	ZMC05009	15
LD6043-0A	15	LD6130-0A	15	TLA020	19	YA020150	9	ZMD12002	17
LD6043-0B	15	LD6131-0A	15	TLA025	19	YA025098	15	ZMG05050	15
LD6045-0A	15	LD6135-0A	15	TLA030	19	YA025108	9	ZMH03002	9,15
LD6045-0B	15	LD6151-0A	15	TLA040	19	YA040156	9	ZMH04001	15
LD6046-0A	15	LD6152-0A	15	TLA050	19	YA040160	11	ZMH04002	15
LD6048-0A	15	LD6152-0B	15	TLA060	19	YA050106	15	ZMH04003	5,7
LD6048-0B	15	LD6155-0A	15	WA030007	7	YA05012A	9	ZMH04018	9
LD6050-0A	15	LD6155-0B	15	WA040013	11,19	YA050150	13	ZMH05001	7
LD6050-0B	15	LD7006-0A	15,19	WA040025	7	YA050198	13	ZMH05002	11
LD6101-0A	15	LD7006-0B	15,19	WA049006	19	YA060200	3	ZMH05003	9
LD6101-0B	15	LD7014-0A	19	WA050011	15	YA080300A	5	ZMH05020	11
LD6101-1A	15	LD7016-0A	3	WA059003	19	YB040020	7	ZMH06002	5,13
LD6101-1B	15	LD7017-0A	3	WA060004	13	YD020006	19	ZMH06004	13
LD6101-2A	15	LD7024-0A	3	WA060009	3	YD025008	15	ZMH06005	3,5
LD6101-3A	15	LD7027-0A	17	WA060015	15	ZMA04007	9	ZMH06006	9
LD6101-3A	19	LD7040-0A	19	WA060017	19	ZMA05011	11	ZMH06007	15
LD6102-0A	15	LD7060-0A	17	WA069001	11	ZMA07001	5	ZMH06008	7,11,17
LD6102-0B	15	LD7061-0A	17	WA089004	3	ZMB03051	7	ZMH06010	7,17
LD6105-0A	15	LD7062-0A	17	WA089008	7	ZMB04010	11	ZMH08001	13
LD6105-0B	15	LD7063-0A	17	WA100012	17	ZMB04016	9	ZMH08004	5
LD6105-1A	15	LD7064-0A	17	WA100017	3	ZMB04022	3,9,11	ZMH08006	5
LD6105-1B	15	LD7065-0A	17	WB060003	17	ZMB04025	11	ZMJ03001	9
LD6105-2A	15	LD7070-0A	17	WB100001	3,17	ZMB04031	11	ZMJ03010	15
LD6105-2B	15	LD7150-0A	19	WB120001	17	ZMB04035	11	ZMJ04002	7
LD6105-3A	15	LD7152-0A	19	WC280001	5	ZMB04074	3,17	ZMJ04005	19
LD6105-4A	15	LD7220-0A	17	WG000006	11	ZMB05012	11	ZMJ04012	13
LD6105-5A	15	LD8110-0A	17	WH208015	13	ZMB05043	3	ZMJ04027	13
LD6106-0A	15	OAGM101503	11	WH208016	13	ZMB06002	3	ZMJ05001	9,15
LD6106-0B	15	OBM00030	15	WH210012	11	ZMB07001	5	ZMJ05002	11,15
LD6107-0A	15	OBS00080	7	WH225001	5	ZMC03001	9	ZMJ05007	13
LD6107-0B	15	OVM-65	19	XA300040	7	ZMC03006	3	ZMJ06002	3
LD6108-0A	15	RA200280	15	XA300050	7	ZMC03009	15	ZMJ06004	17
LD6108-0B	15	RB200100	11	XA400030	7	ZMC03019	15,19	ZMJ06005	3,13
LD6120-0A	13	RB200200	5	XA400040	7	ZMC04001	7	ZMJ06009	17
LD6121-0A	13	RB200250	5	XB206003	5	ZMC04012	15	ZMJ06015	3

CS-8910 零件號碼與頁數對照 NUMERICAL PARTS-LIST

零件號碼 PARTS NO.	頁數 PAGE	零件號碼 PARTS NO.	頁數 PAGE	零件號碼 PARTS NO.	頁數 PAGE	零件號碼 PARTS NO.	頁數 PAGE	零件號碼 PARTS NO.	頁數 PAGE
ZMJ06025	3,7,15	ZSG11062	19						
ZMJ08007	13	ZSK12028	19						
ZMJ08018	3	ZSL09001	9						
ZMJ10004	3	ZSL11011	19						
ZMJ10014	17	ZSL12005	19						
ZMK05032	11	ZSN16002	9						
ZMK08019	7	ZSN32001	11						
ZML04006	9								
ZML04009	11								
ZML05002	11								
ZML06001	3,11,17								
ZML06002	19								
ZML06009	11								
ZML10005	3								
ZML10011	17								
ZMQ04016	3								
ZMQ04021	3								
ZMQ05004	3								
ZMQ05006	3								
ZMQ06005	3								
ZMQ08004	3								
ZMT05001	19								
ZSA16021	7								
ZSA16039	7								
ZSB06001	9								
ZSB09005	9								
ZSB09015	7								
ZSB09017	7								
ZSB09032	9								
ZSB09035	7								
ZSB11012	9								
ZSB11021	7								
ZSB11029	19								
ZSB11115	7								
ZSF32001	11								
ZSG09004	9								
ZSG09005	9								
ZSG09050	11,19								