

NO : 8365A01

金輪牌工業用縫紉機

GOLDEN WHEEL INDUSTRIAL SEWING MACHINE

零件分解圖

PARTS BOOK

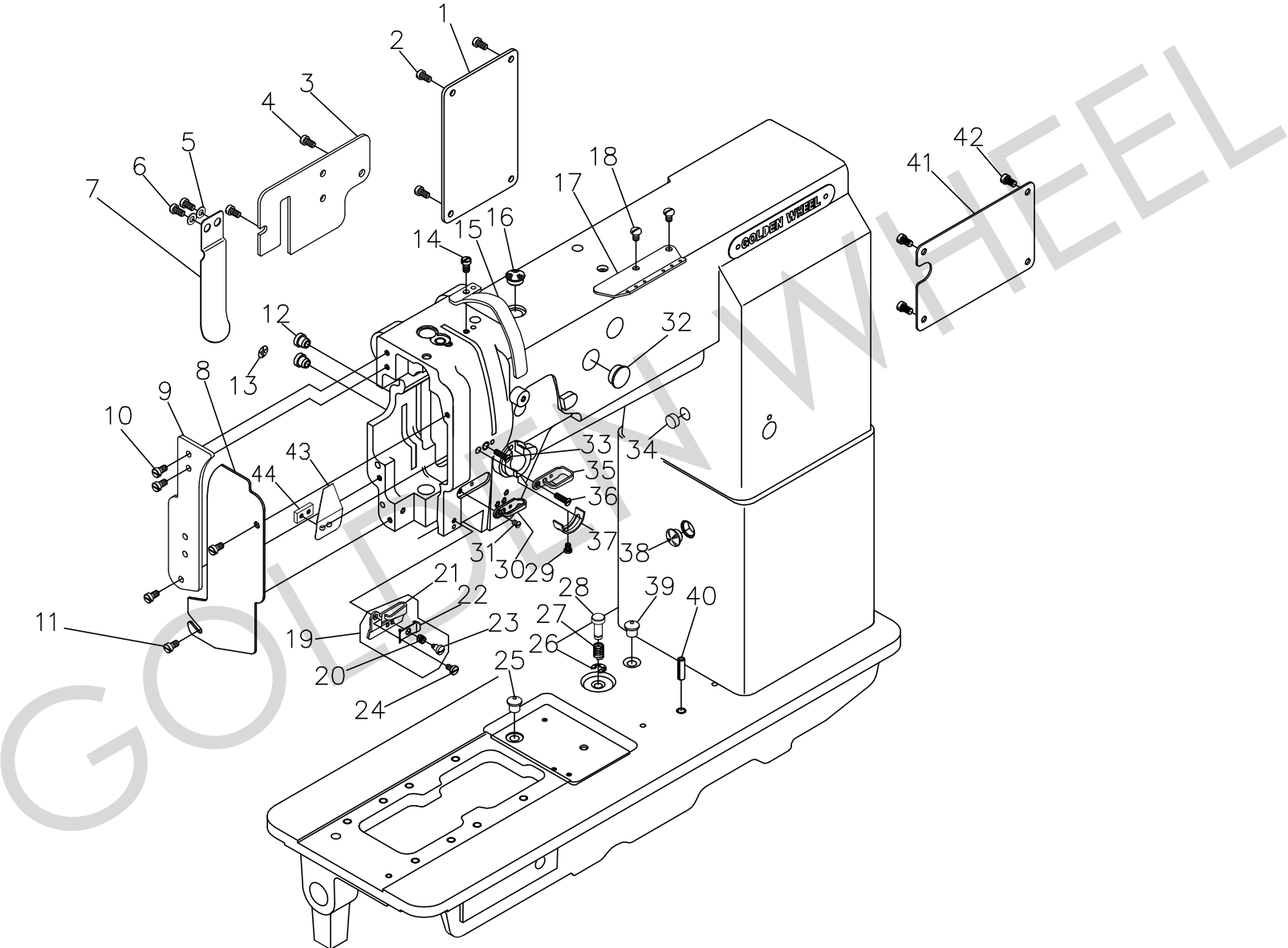
MODEL CS-8365H

啟翔股份有限公司
CHEE SIANG INDUSTRIAL CO., LTD.

MODEL : CS-8365H

索引	INDEX	PAGE
A、本體關係	FRAME & MISCELLANEOUS COVER COMPONENTS	2-3
B、縫線壓力調整關係	UPPER THREAD TENSION REGULATOR MECHANISM COMPONENTS	4-5
C、上軸關係	MAIN SHAFT COMPONENTS	6-7
D、針棒、天秤關係	NEEDLE BAR & THREAD TAKE-UP LEVER COMPONENTS	8-9
E、針棒搖擺關係	NEEDLE BAR ROCKING MOTION MECHANISM COMPONENTS	10-11
F、押棒關係	PRESSER FOOT BAR MECHANISM COMPONENTS	12-13
G、上部送料關係	UPPER FEED MECHANISM COMPONENTS	14-15
H、縫目調整器關係	STITCH REGULATOR MECHANISM COMPONENTS	16-17
I、下軸關係	LOWER SHAFT MECHANISM COMPONENTS	18-19
J、下部送料關係	LOWER FEED MECHANISM COMPONENTS	20-21
K、下軸、送料關係	LOWER SHAFT & FEED MECHANISM COMPONENTS	22-23
L、釜軸座關係	HOOK SADDLE MECHANISM COMPONENTS	24-25
M、油潤滑關係	OIL LUBRICATION MECHANISM COMPONENTS	26-27
N、腳弓關係	KNEE LIFTER COMPONENTS	28-29
O、皮帶蓋關係	BELT COVER COMPONENTS	30-31
P、附件	ACCESSORIES	32-33
Q、零件號碼與頁數對照	NUMERICAL PARTS-LIST	34-36

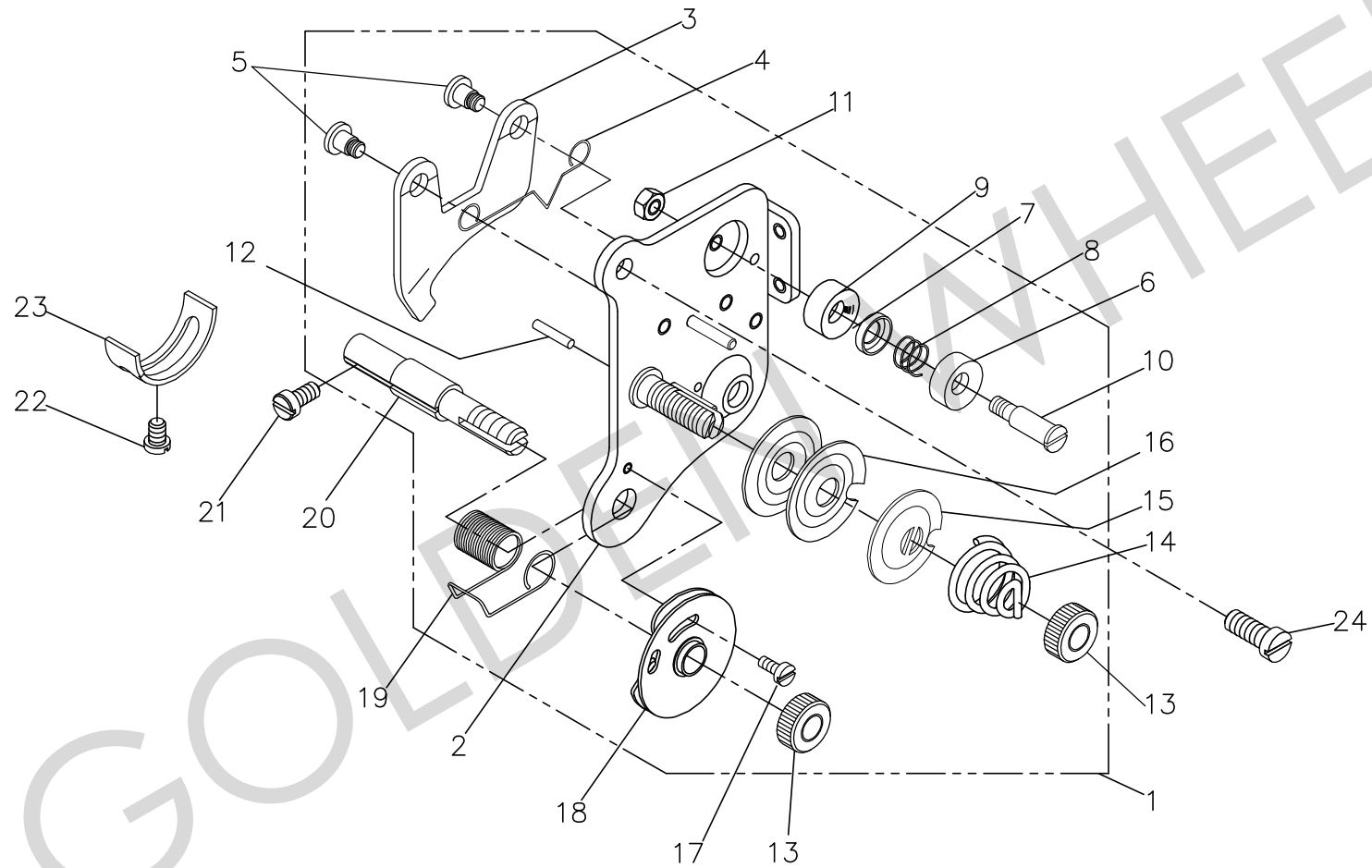
A.CS-8365H 本體關係 FRAME & MISCELLANEOUS COVER COMPONENTS



A、CS-8365H 本體關係 FRAME & MISCELLANEOUS COVER COMPONENTS

零件號碼 Part No.	零件名稱	Name of Part	件數 Q'TY	零件號碼 Part No.	零件名稱	Name of Part	件數 Q'TY
1	EJ1012-0A	側板 ----- Arm Cover -----	1	34	C1141-0B	橡膠塞 ----- Rubber Plug -----	1
2	ZSB11012	螺絲 ----- Screw (11/64-40x8) -----	4	35	C1052-0A	線掛 ----- Thread Guide -----	1
3	EJ1011-1A	橫蓋 ----- Arm Cover -----	1	36	ZSC09021	螺絲 ----- Screw (9/64-40x13) -----	1
4	ZSB11012	螺絲 ----- Screw (11/64-40x8) -----	2	37	7162311000	線軸彈簧調整器 ----- Stopper -----	1
5	WA049003	墊圈 ----- Washer -----	2	38	S1013-0B	橡膠塞 ----- Rubber Plug -----	1
6	ZSB11012	螺絲 ----- Screw (11/64-40x8) -----	2	39	A1077-0A	橡膠塞 ----- Rubber Plug -----	1
7	EJ1011-0A	防塵蓋 ----- Cover -----	1	40	YD050018	油管 ----- Oil Pipe -----	1
8	EJ1010-1A	面板 ----- Guide Mounting Plate -----	1	41	EJ1012-0A	側板 ----- Arm Cover -----	1
9	EJ1010-0A	面板 ----- Face Plate -----	1	42	ZSB11012	螺絲 ----- Screw (11/64-40x8) -----	1
10	ZSB11012	螺絲 ----- Screw (11/64-40x8) -----	3	43	EJ1014-0A	油防板 ----- Oil Guard Plate -----	1
11	ZSB11012	螺絲 ----- Screw (11/64-40x8) -----	2	44	EJ1017-0A	螺帽板 ----- Spaser -----	1
12	S1014-0B	橡膠塞 ----- Rubber Plug -----	2				
13	WARN000500	印記 ----- Grand Mark -----	1				
14	ZSB11012	螺絲 ----- Screw (11/64-40x8) -----	1				
15	EJ1063-0A	天秤護蓋 ----- Thread Take-up Cover -----	1				
16	A1013-1A	橡膠塞 ----- Rubber Plug -----	1				
17	EJ1051-0A	線掛 ----- Thread Guide -----	1				
18	ZSB11041	螺絲 ----- Screw (11/64-40x7) -----	2				
19	8370311605	線掛(套) ----- Thread Guide Asm. -----	(1)				
20	EJ1057-0A	彈簧 ----- Spring -----	(1)				
21	EJ1055-0A	線掛 ----- Thread Guide -----	(1)				
22	EJ1056-0A	壓線具 ----- Guide Plate -----	(1)				
23	ZSG08003	螺絲 ----- Hinge Screw -----	1				
24	ZSB09011	螺絲 ----- Screw (9/64-40x6.5) -----	1				
25	A1077-0A	橡膠塞 ----- Rubber Plug -----	1				
26	RE000050	E 扣環 ----- E-ring -----	1				
27	EJ4121-0A	彈簧 ----- Spring -----	1				
28	EJ4120-0A	銷 ----- Push Button -----	1				
29	ZSB09016	螺絲 ----- Screw (9/64-40x6) -----	1				
30	C1054-0A	線掛(上) ----- Thread Guide (Upper) -----	1				
31	ZSC09009	螺絲 ----- Screw (9/64-40x6.5) -----	1				
32	A1013-1A	橡膠塞 ----- Rubber Plug -----	1				
33	ZSC09021	螺絲 ----- Screw (9/64-40x13) -----	1				

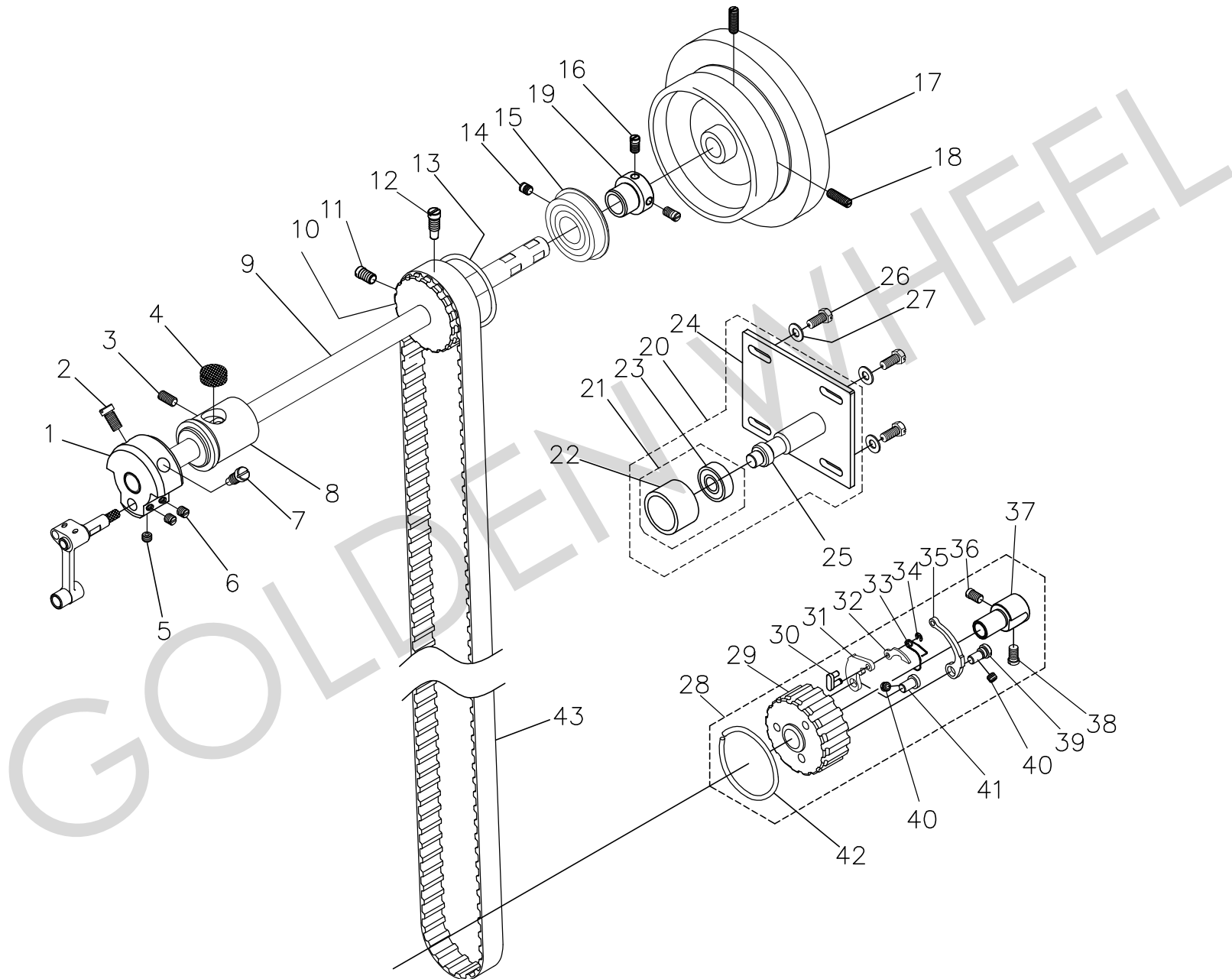
B.CS-8365H 縫線壓力調整關係 UPPER THREAD TENSION REGULATOR MECHANISM COMPONENTS



B、CS-8365H 縫線壓力調整關係 UPPER THREAD TENSION REGULATOR MECHANISM COMPONENTS

	零件號碼 Part No	零件名稱	Name of Part	件數 Q, TY	備註 Remarks
1	4400310505	上線壓力板(套)	Thread Tension Regulator Asm.	1	
2	A1038-0A	上線壓力板	Mounting Plate Asm.	(1)	
3	EJ1037-0A	彈簧板	Tension Releasing Plate	(1)	
4	A1036-0A	押板彈簧	Tension Releasing Spring	(1)	
5	ZSG09004	螺絲	Hinge Screw	(2)	
6	A1030-0A	過線孔台	Thread Guide Disk	(1)	
7	A1031-0A	過線孔圓盤	Thread Guide Disk	(1)	
8	A1032-0A	導線彈簧	Spring	(1)	
9	A1033-0A	過線孔內蓋	Thread Guide Bracket	(1)	
10	ZSG09005	螺絲	Hinge Screw	(1)	
11	ZSL09001	螺帽	Nut	(1)	
12	EJ1028-0A	緩線鎖	Tension Releasing Pin (small)	(1)	
13	ZSN16002	螺帽	Tension Thumb Nut	(2)	
14	E1021-0A	彈簧	Tension Spring	(1)	
15	A1034-0A	線調整壓盤	Tension Regulator Presser Disk	(1)	
16	A1035-0A	壓力板	Tension Regulator Disk	(2)	
17	ZSB06001	螺絲	Screw(3/32-56x6)	(1)	
18	A1024-1A	過線盤組	Tension Controller Disk Set	(1)	
19	6120310801	彈簧	Thread Take-up Spring	(1)	
20	EJ1026-4A	調整螺絲棒	Tension Stud	(1)	
21	ZSB09007	螺絲	Screw(15/64-28x11)	1	
22	ZSB09005	螺絲	Screw(9/64-40x7)	1	
23	J1041-0A	線軸彈簧調整器	Stopper	1	
24	ZSB11022	螺絲	Screw(11/64-40x7)	1	

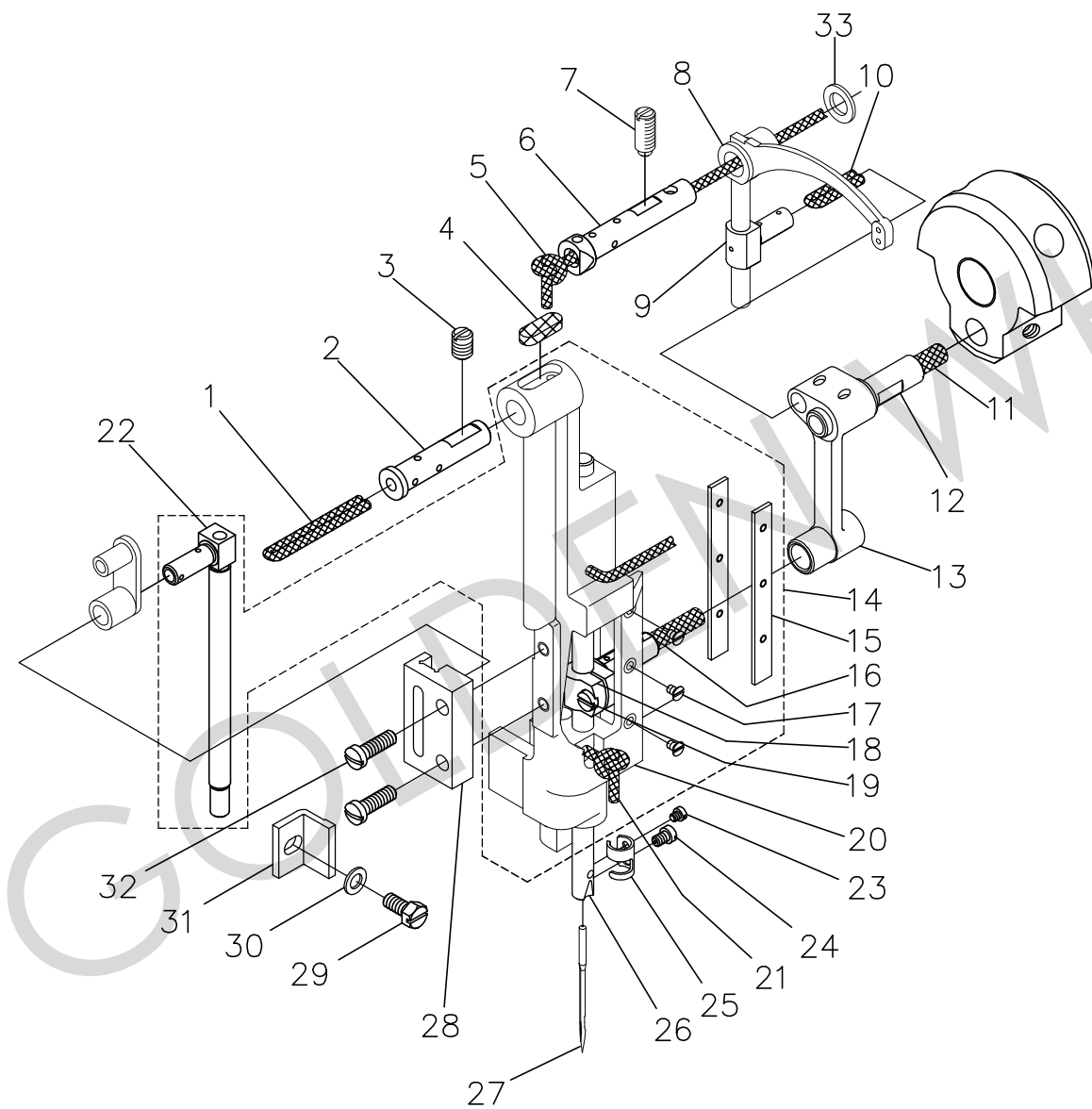
C.CS-8365H 上軸關係 MAIN SHAFT COMPONTS



C、CS-8365H 上軸關係 MAIN SHAFT COMPONENTS

零件號碼 Part No.	零件名稱	Name of Part	件數 Q'TY	零件號碼 Part No.	零件名稱	Name of Part	件數 Q'TY
1 8370120800	凸輪 -----	Counterweight -----	1	34 RE000025	E 扣環 -----	E-ring -----	(1)
2 ZSB18002	螺絲 -----	Screw (9/65-28x13) -----	1	35 EJ4138-0A	彈片壓板 -----	Spring Plate -----	(1)
3 ZSA16034	螺絲 -----	Screw (1/4-24x13) -----	1	36 ZSB15004	螺絲 -----	Screw (15/64-28x10.5) -----	(1)
4 XB118001	油棉 -----	Felt -----	1	37 EJ4136-0A	套管 -----	Bushing -----	(1)
5 ZSA15019	螺絲 -----	Screw () -----	1	38 ZSB15006	螺絲 -----	Screw (15/64-28x8.5) -----	(1)
6 ZSA15017	螺絲 -----	Screw () -----	2	39 EJ4137-0A	偏心固定鎖 ---	Eccentric Pin -----	(1)
7 ZSB18001	螺絲 -----	Screw (9/32-28x9.5) -----	1	40 ZSA15021	螺絲 -----	Screw (15/64-28x4.5) -----	(2)
8 EJ1101-0A	上軸套筒(前) ----	Arm Shaft Bushing (Front) -----	1	41 B4131-0A	固定銷 -----	Pin -----	(1)
9 8370120100	上軸 -----	Main Shaft -----	1	42 83321308A0	齒輪邊環 -----	Spring Flange -----	(1)
10 8332130800	齒型皮帶輪(上) --	Belt Pulley (Upper) -----	1	43 8332131000	齒型皮帶 -----	Cog Belt -----	1
11 ZSB15006	螺絲 -----	Screw (15/64-28x8.5) -----	1				
12 ZSB15041	螺絲 -----	Screw (15/64-28x14.5) -----	1				
13 83321308A0	齒輪邊環 -----	Spring Flange -----	2				
14 ZSA16033	螺絲 -----	Screw (1/4-28x8) -----	1				
15 BB6204ZZNR	滾珠軸承 -----	Ball Bearing -----	1				
16 ZSB15006	螺絲 -----	Screw (15/64-28x8.5) -----	2				
17 8370122300	皮帶輪 -----	Balance Wheel -----	1				
18 ZSB15026	螺絲 -----	Screw (15/64-28x18) -----	2				
19 EJ1103-0A	套管 -----	Bushing -----	1				
20 8330131605	惰輪(組) -----	Idler Asm. -----	1				
21 8370131704	惰輪(結合) -----	Idler Com. -----	(1)				
22 8370131700	惰輪 -----	Idler -----	(1)				
23 BB6000ZZ	滾珠軸承 -----	Ball Bearing -----	(1)				
24 8330131604	惰輪座(結合) ----	Idler Base Com. -----	(1)				
25 8330131600	惰輪軸 -----	Idler Shaft -----	(1)				
26 ZSD15007	螺絲 -----	Screw (15/64-28x14) -----	4				
27 WA069001	墊圈 -----	Washer -----	4				
28 8332130905	齒型皮帶輪(套) --	Belt Pulley Asm. -----	1				
29 8332130900	齒型皮帶輪 -----	Belt Pulley (Lower) -----	(1)				
30 EJ4134-0A	連接桿 -----	Link -----	(1)				
31 EJ4133-0A	離合器棘 -----	Plate -----	(1)				
32 B4135-0A	離合器棘 -----	Plate -----	(1)				
33 EJ4132-0A	離合器彈簧	Twist Spring -----	(1)				

D.CS-8365H 針棒 . 天秤關係 NEEDLE BAR & THREAD TAKE-UP LEVER COMPONENTS



D、CS-8365H 針棒、天秤關係 NEEDLE BAR & THREAD TAKE-UP COMPONENTS

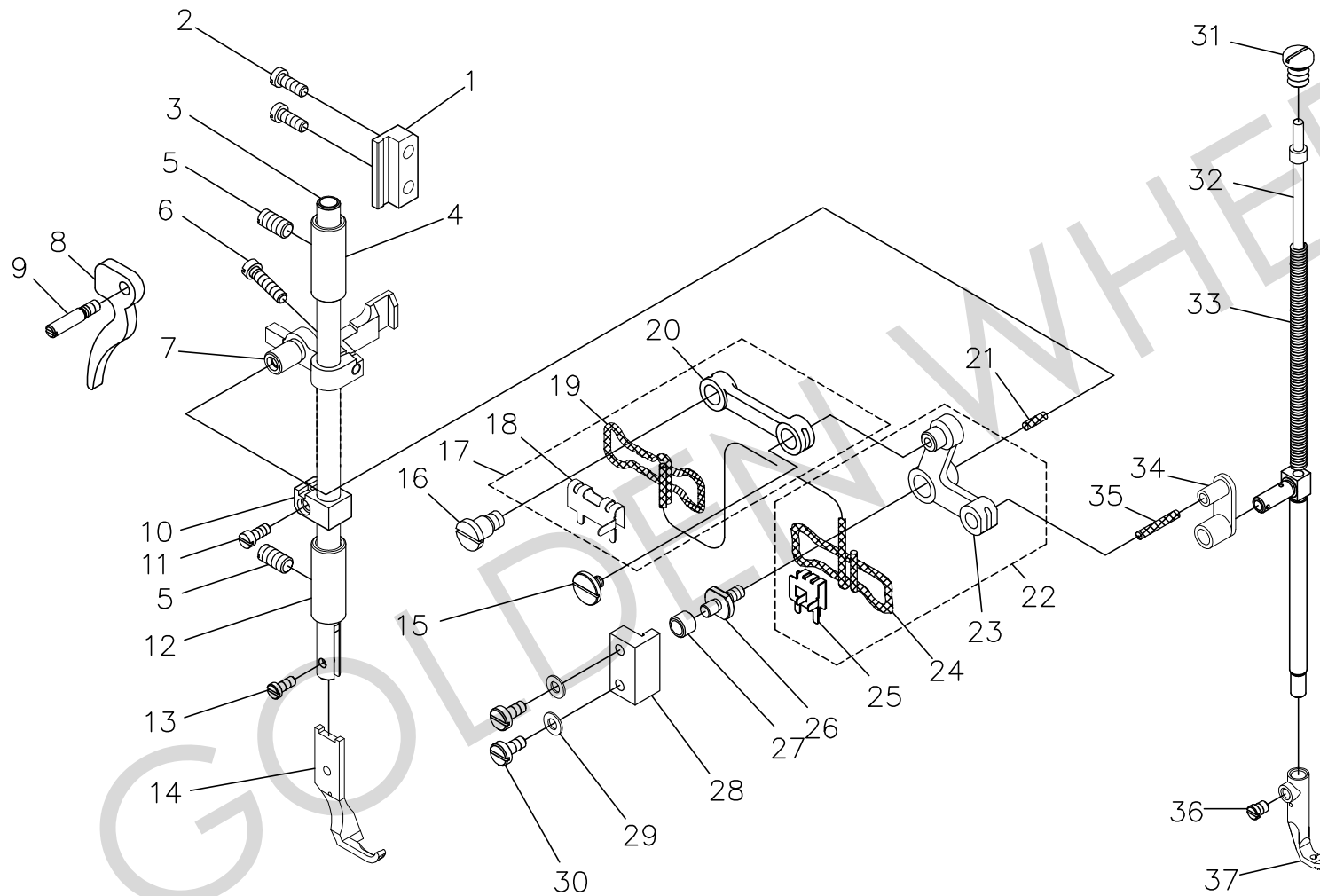
零件號碼 Part No	零件名稱	Name of Part	件數 Q, TY	備註 Remarks
1	XA300080	油線 ----- Oil Wick -----	1	
2	EJ1091-0A	針柱座固定軸 ----- Needle Bar Guide Bracket Stud -----	1	
3	ZSA15017	螺絲 ----- Screw(16/64-28x8.5) -----	1	
4	XB206003	油棉 ----- Felt -----	1	
5	XA300240	油線 ----- Oil Wick -----	1	
6	A1061-0A	天秤固定銷 ----- Thread Take-up Lever Support Stud -----	1	
7	ZSA15010	螺絲 ----- Screw(15/64-28x8.5) -----	1	
8	4400190100	天秤 ----- Thread Take-up Lever -----	1	
9	A1062-0A	天秤滑塊 ----- Thread Take-up Slide Brock -----	1	
10	XA300027	油線 ----- Oil Wick -----	1	
11	XA300065	油線 ----- Oil Wick -----	1	
12	A1107-0A	針棒連接軸 ----- Needle Bar Crank Shaft -----	1	
13	EJ10800A	連接桿 ----- Connecting Link -----	1	
14	8370270105	針柱台(套) ----- Needle Bar Guide Bracket Asm. -----	1	
15	EJ1081-0A	針棒連結器滑板 ----- Spacer -----	(2)	
16	XA300040	油線 ----- Oil Wick -----	(1)	
17	ZSC06005	螺絲 ----- Screw(3/32-56x4) -----	(6)	
18	EJ1074-0A	針棒固定軸 ----- Needle Bar Holder -----	(1)	
19	ZSB09032	螺絲 ----- Screw(9/64-40x8.5) -----	(1)	
20	EJ1090-0A	針柱台 ----- Needle Bar Guide Bracket -----	(1)	
21	XA300200	油線 ----- Oil Wick -----	(1)	
22	EJ1282-0A	中壓腳押棒 ----- Vibrating Presser Bar -----	(1)	
23	ZSB06002	螺絲 ----- Screw(3/32-56x3) -----	1	
24	ZSB08002	螺絲 ----- Screw(1/8-44x3) -----	1	
25	F1076-0A	線掛 ----- Needle Bar Thread Guide -----	1	
26	EJ1070-0A	針棒 ----- Needle Bar -----	1	
27	INDPx17-22	針 ----- Needle -----	1	
28	8370143700	押腳舉升連桿案內 -- Vibrating Presser Bar Guide -----	1	
29	ZSD11001	螺絲 ----- Screw(11/64-40x10) -----	1	
30	WA059002	墊圈 ----- Washer -----	1	
31	EJ1092-0A	針柱座定位板 ----- Needle Bar Guide -----	1	
32	ZSB11010	螺絲 ----- Screw(11/64-40x15) -----	2	
33	WH208007	墊圈 ----- Washer -----	1	

E、CS-8365H 針棒搖擺關係 NEEDLE BAR ROCKING MOTION MECHANISM COMPONENTS

	零件號碼 Part No	零件名稱	Name of Part	件數 Q, TY	備註 Remarks
1	EJ1334-0A	角駒 -----	Square Block -----	1	
2	EJ1333-0A	角駒軸 -----	Crank Pin -----	1	
3	EJ1332-0A	擺動臂 -----	Needle Bar Vibrating Crank (Left) -----	1	
4	YB040025	推拔銷 -----	Taper Pin -----	1	
5	EJ1344-0A	定環 -----	Thrust Collar -----	1	
6	ZSA11005	螺絲 -----	Screw (11/64-40x5.5) -----	2	
7	EJ1341-0A	擺動臂軸套管 -----	Needle Bar Vibrating Shaft Bushing (Front) -----	1	
8	ZSA16033	螺絲 -----	Screw (1/4-24x8) -----	2	
9	EJ1331-0A	擺動臂軸 -----	Needle Bar Vibrating Shaft -----	1	
10	EJ1343-0A	擺動臂軸套管 -----	Needle Bar Vibrating Shaft Bushing (Rear) -----	1	
11	ZSL20004	螺帽 -----	Nut -----	1	
12	8370271000	擺動臂 -----	Needle Bar Vibrating Crank (Right) -----	1	
13	ZSB16004	螺絲 -----	Screw (1/4-24x16) -----	1	
14	8332271100	連接桿 -----	Connecting Rod -----	1	
15	EJ1337-0A	螺絲 -----	Hinge Screw -----	1	
16	XA300085	油線 -----	Oil Wick -----	1	

GOLDEN WHEEL

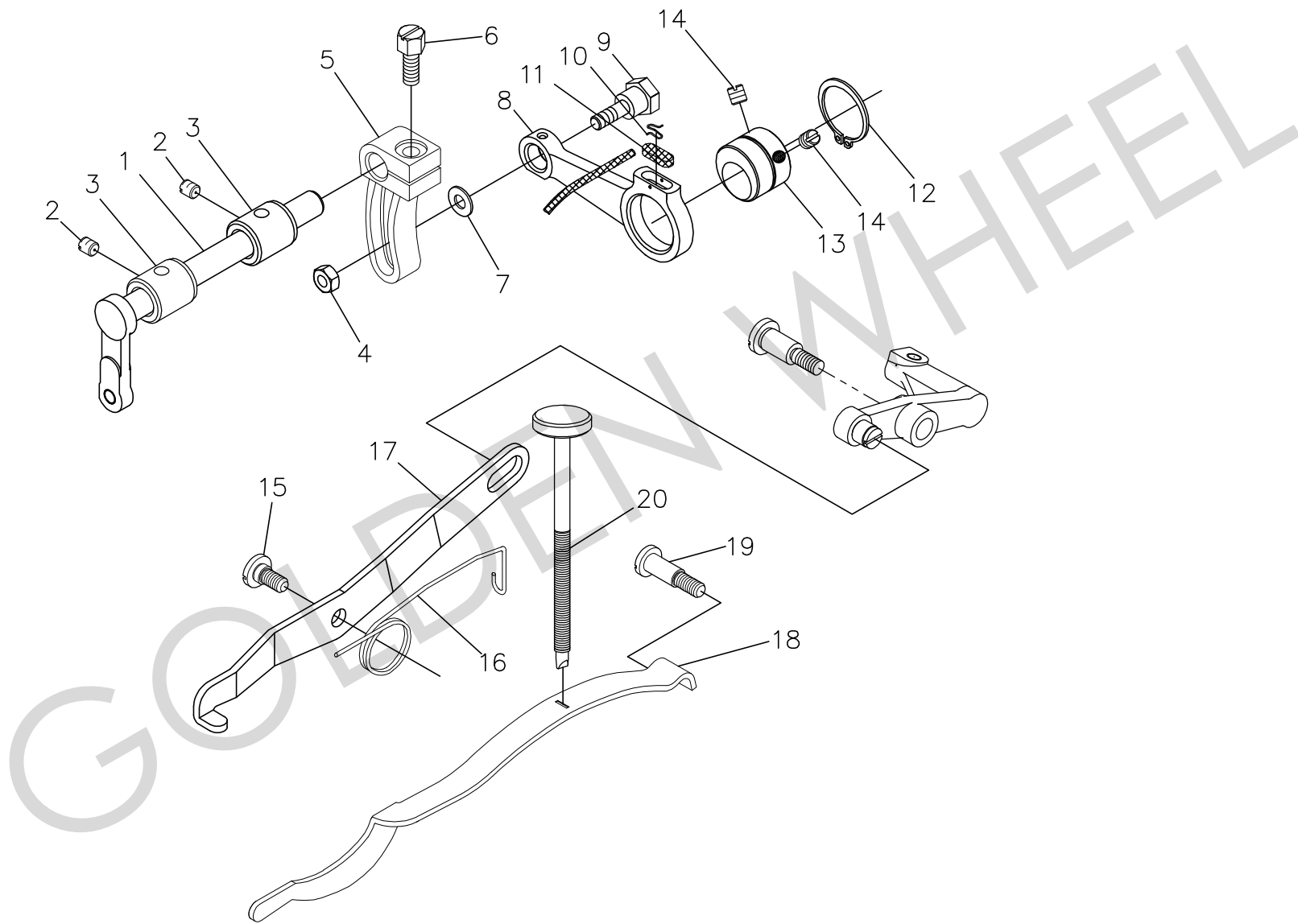
F.CS-8365H 押棒關係 PRESSER FOOT BAR MECHANISM COMPONENTS



F、CS-8365H 押棒關係 PRESSER FOOT BAR MECHANISM COMPONENTS

零件號碼 Part No.	零件名稱	Name of Part	件數 Q'TY	零件號碼 Part No.	零件名稱	Name of Part	件數 Q'TY
1 EJ1208-0A	押棒上升架案內板	Guide -----	1	34 B1283-0A	押角舉升連桿 ---	Vibrating Presser Bar Link -----	1
2 ZSB11017	螺絲 -----	Screw (11/64-40x12) -----	2	35 XA300020	油線 -----	Oil Wick -----	1
3 EJ1180-0A	押棒 -----	Presser Bar -----	1	36 ZSB11009	螺絲 -----	Screw (11/64-40x6.5) -----	1
4 C1183-0A	押棒套管 -----	Bushing -----	1	37 8370151000	內壓腳 -----	Walking Foot -----	1
5 ZSA16034	螺絲 -----	Screw (1/4-24x13) -----	2				
6 ZSB11083	螺絲 -----	Screw (11/64-40x15) -----	1				
7 EJ1272-0A	押棒上升器 -----	Bracket -----	1				
8 EJ1200-0A	押棒提升把手 -----	Presser Bar Lifter -----	1				
9 ZSK11036	螺絲 -----	Hinge Screw -----	1				
10 B1275-0A	押棒彈簧架 -----	Spring Bracket -----	1				
11 ZSB10002	螺絲 -----	Screw (5/32-40x9) -----	1				
12 C1183-0A	押棒套管 -----	Bushing -----	1				
13 ZSB09028	螺絲 -----	Screw (9/64-40x11) -----	1				
14 8370153000	外壓腳 -----	Presser Foot -----	1				
15 ZSB11069	螺絲 -----	Screw (11/64-32x6) -----	1				
16 ZSG16018	螺絲 -----	Hinge Screw -----	1				
17 8370145105	連接桿(套) -----	Link Asm. -----	1				
18 8370353100	油線掛架 -----	Holder -----	(1)				
19 XA300130	油線 -----	Oil Wick -----	(1)				
20 EJ1287-0A	連接桿(左) -----	Link (Left) -----	(1)				
21 XA300010	油線 -----	Oil Wick -----	1				
22 8370143605	舉升支臂連桿(套) -----	Bell Crank Asm. -----	1				
23 EJ1286-0A	舉升支臂連桿 -----	Bell Crank -----	(1)				
24 XA300140	油線 -----	Oil Wick -----	(1)				
25 8370353200	油線掛架 -----	Holder -----	(1)				
26 EJ1283-0A	舉升連桿之軸 -----	Support Shaft -----	1				
27 EJ1284-0A	舉升曲臂案內珠 --	Roller -----	1				
28 EJ1278-0A	案內板 -----	Bell Crank Guide -----	1				
29 WA049006	墊圈 -----	Washer -----	2				
30 ZSB11026	螺絲 -----	Screw (11/64-40x10) -----	2				
31 ZSB20009	螺絲 -----	Screw (5/16-28x10) -----	1				
32 EJ1280-0A	彈簧導桿 -----	Vibrating Presser Spring Guide --	1				
33 EJ1281-0A	彈簧 -----	Spring -----	1				

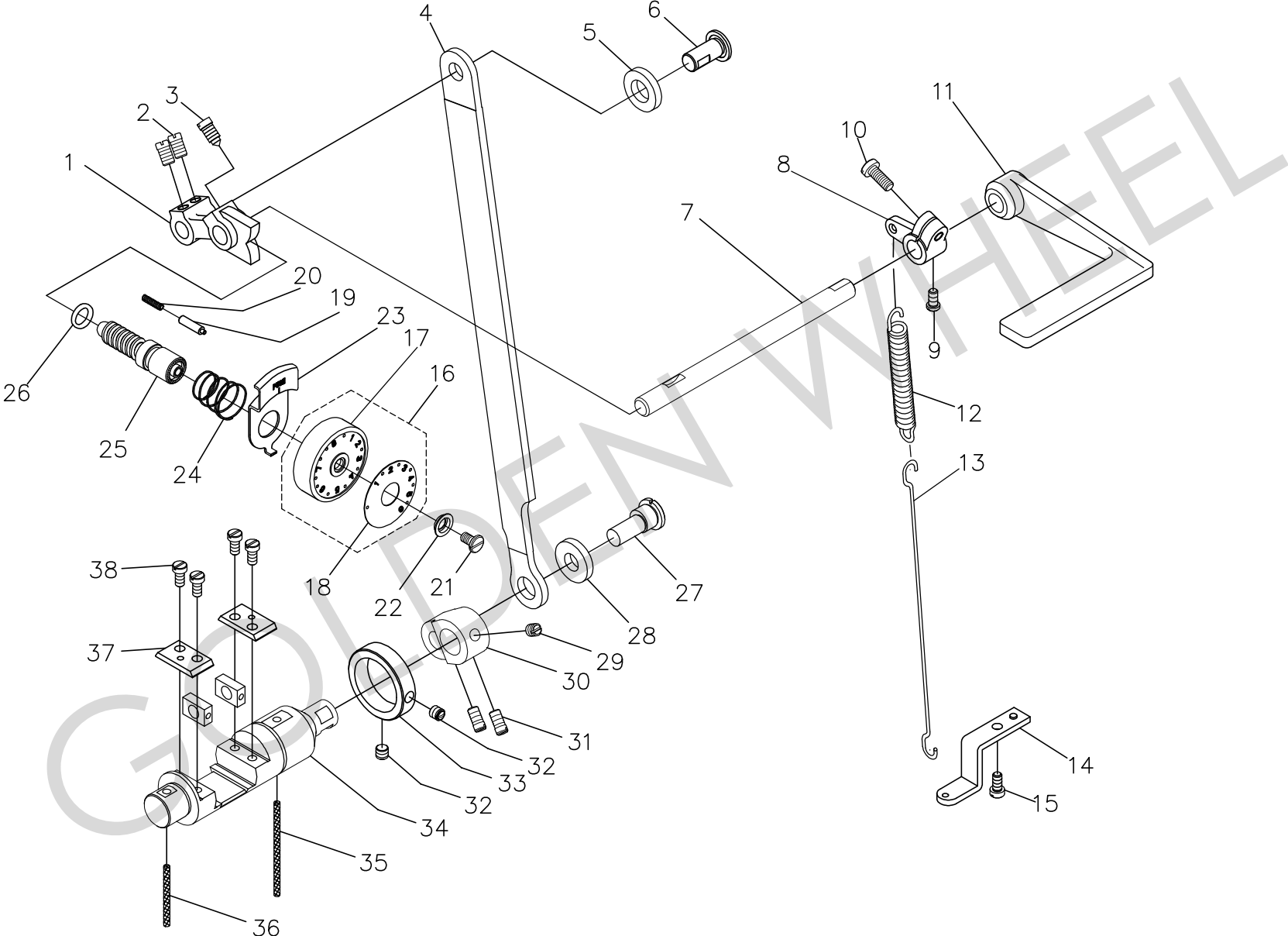
G.CS-8365H 上部送料關係 UPPER FEED MECHANISM COMPONENTS



G、CS-8365H 上部送料關係 UPPER FEED MECHANISM COMPONENTS

零件號碼 Part No	零件名稱	Name of Part	件數 Q, TY	備註 Remarks
1	EJ1290-0A	作動軸 ----- Feed Lifting Rock Shaft -----	1	
2	ZSA15028	螺絲 ----- Screw (15/64-28x7) -----	2	
3	E1291-0A	套管 ----- Bushing -----	1	
4	ZML06001	螺帽 ----- Nut -----	1	
5	EJ1295-0A	舉升曲柄連桿 ----- Lever (Light) -----	1	
6	ZSD16007	螺絲 ----- Screw (1/4-24x16) -----	1	
7	WA069011	墊圈 ----- Washer -----	1	
8	E1297-0A	連接桿 ----- Connecting Rod -----	1	
9	ZMG06003	螺絲 ----- Hinge Screw -----	1	
10	A1130-0A	彈簧 ----- Spring -----	1	
11	XB206003	油棉 ----- Felt -----	1	
12	RB200250	軸用 C 扣環 ----- C-ring -----	1	
13	E1298-0A	偏心輪 ----- Eccentric -----	1	
14	ZSA16011	螺絲 ----- Screw (1/4-40x7) -----	2	
15	ZSG16005	螺絲 ----- Hinge Screw -----	1	
16	EJ1301-0A	腳弓板彈簧 ----- Twist Spring -----	1	
17	EJ1305-0A	押腳提桿 ----- Knee Lifting Lever -----	1	
18	EJ1300-0A	彈簧板 ----- Spring Plate -----	1	
19	ZSG16003	螺絲 ----- Hinge Screw -----	1	
20	ZSK16017	螺絲 ----- Hinge Screw -----	1	

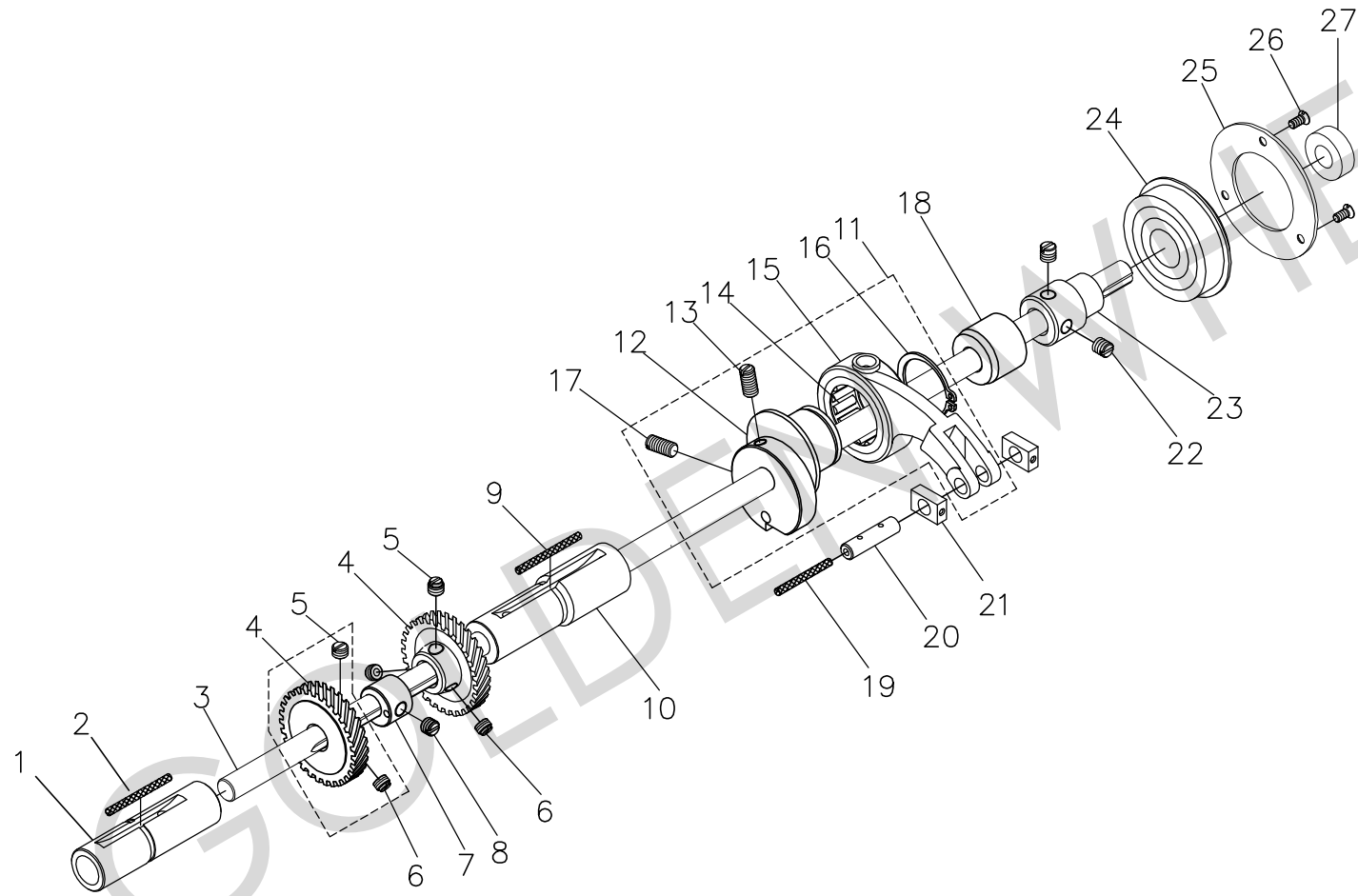
H.CS-8365H 縫目調整器關係 STITCH REGULATOR MECHANISM COMPONENTS



H、CS-8365H 縫目調整器關係 STITCH REGULATOR MECHANISM COMPONENTS

零件號碼 Part No.	零件名稱	Name of Part	件數 Q'TY	零件號碼 Part No.	零件名稱	Name of Part	件數 Q'TY
1	EJ1150-0A	三叉 ----- Feed Regulator Cam -----	1	34	EJ4150-0A	倒退固定軸 ----- Reverse Block -----	1
2	ZSB15006	螺絲 ----- Screw (15/64-28x8.5) -----	2	35	XA300055	油線 ----- Oil Wick -----	1
3	ZSB15037	螺絲 ----- Screw (15/64-28x11.5) -----	1	36	XA300035	油線 ----- Oil Wick -----	1
4	8332165100	連接桿 ----- Link -----	1	37	EJ4153-0A	滑塊固定板 ----- Guide Plate -----	2
5	WH212004	墊圈 ----- Spacer -----	1	38	ZSB11028	螺絲 ----- Screw (11/64-40x10) -----	4
6	EJ1155-0A	連結軸 ----- Eccentric Shaft -----	1				
7	EJ1161-0A	倒縫軸 ----- Reverse Stitch Shaft -----	1				
8	EJ1163-0A	倒縫軸腕 ----- Arm -----	1				
9	ZSB11014	螺絲 ----- Screw (11/64-40x8.5) -----	1				
10	ZSB15009	螺絲 ----- Screw (15/64-28x13) -----	1				
11	EJ1160-0A	倒針槓桿 ----- Lever -----	1				
12	EJ1166-0A	彈簧 ----- Spring -----	1				
13	8332166000	彈簧掛 ----- Spring Hook -----	1				
14	EJ4115-0A	支持板 ----- Guide Plate -----	1				
15	ZSB11011	螺絲 ----- Screw (11/64-40x8) -----	1				
16	8370164005	刻度盤(套) ----- Dial Asm. -----	1				
17	E1172-2A	刻度盤 ----- Dial -----	(1)				
18	4400164100	刻度板 ----- Dial Plate -----	(1)				
19	E1171-2A	定位銷 ----- Pin -----	1				
20	E1158-0A	彈簧 ----- Spring -----	1				
21	ZSB12017	螺絲 ----- Screw (3/16-28x15) -----	1				
22	C1174-0A	墊片 ----- Washer -----	1				
23	E1173-2A	操作板 ----- Stopper Pin Releasing Lever -----	1				
24	E1174-2A	彈簧 ----- Spring -----	1				
25	EJ1170-0A	方牙棒 ----- Feed Regulating Screw -----	1				
26	OP00100A	O形環 ----- O-ring -----	1				
27	EJ4157-0A	倒縫軸連結鎖 --- Pin -----	1				
28	WH209003	墊圈 ----- Spacer -----	1				
29	ZSA15025	螺絲 ----- Screw (15/64-28x6) -----	1				
30	EJ4156-0A	倒縫軸連結腕 --- Reverse Sewing Crank -----	1				
31	ZSB15006	螺絲 ----- Screw (15/64-28x8.5) -----	2				
32	ZSA15025	螺絲 ----- Screw (15/64-28x6) -----	2				
33	EJ4154-0A	固定環 ----- Collar -----	1				

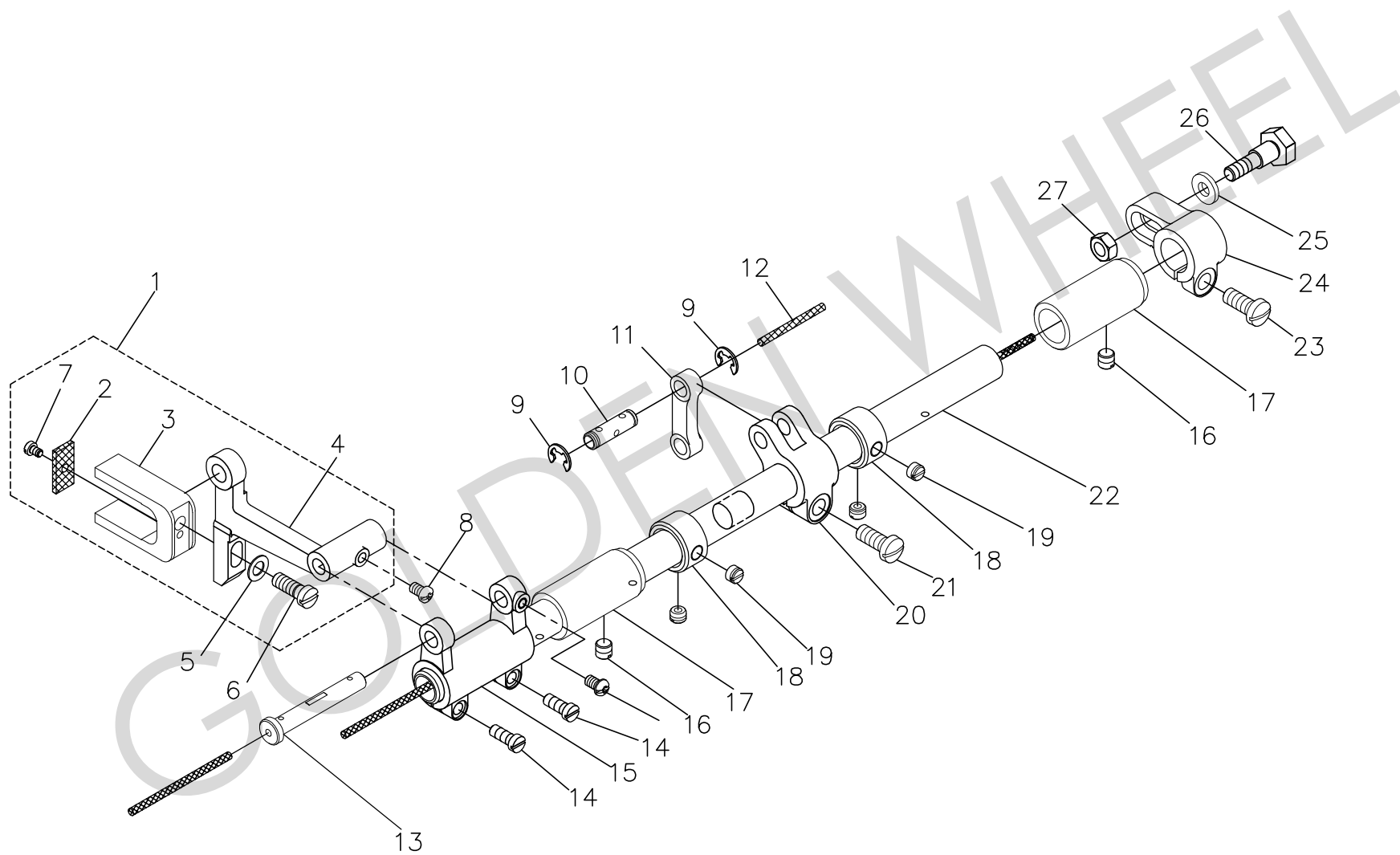
I.CS-8365H 下軸關係 LOWER SHAFT MECHANISM COMPONENTS



I、CS-8365H 下軸關係 LOWER SHAFT MECHANISM COMPONENTS

	零件號碼 Part No	零件名稱	Name of Part	件數 Q, TY	備註 Remarks
1	8370160600	下軸套管(前)	Bushing (Front)	1	
2	XB304001	油棉	Oil Wick	1	
3	8370180100	下軸	Hook Driving Shaft	1	
4	C4026-0A	斜齒輪(大)	Spiral Gear (Large)	1	
5	ZSA16041	螺絲	Screw (1/4-40x4.5)	2	
6	ZSA16040	螺絲	Screw (1/4-40x7)	1	
7	C4015-0A	送料土台凸輪	Feed Eccentric Cam	1	
8	ZSA16021	螺絲	Screw (1/4-40x5)	1	
9	XB304001	油棉	Oil Wick	1	
10	EJ4012-0A	套管	Bushing (Lower Shaft Right-side)	1	
11	8370160905	下軸連桿、凸輪(套)	Feed Regulator Asm.	1	
12	EJ4016-0A	下軸凸輪	Feed Eccentric	(1)	
13	ZSH15002	螺絲	Screw (15/64-28x8)	(1)	
14	BNTA2616Z	軸承	Needle Bearing	(1)	
15	EJ4017-0A	下軸連桿	Feed connecting Rod	(1)	
16	RB200260	軸用 C 扣環	C-ring	(1)	
17	ZSH15006	螺絲	Screw (15-64-28x12)	(1)	
18	8370180300	套管	Bushing (Lower Shaft Middle-side)	1	
19	XA300030	油線	Oil Wick	1	
20	EJ4151-0A	滑駒鎖	Shaft	1	
21	EJ4152-0A	滑駒	Square Block	2	
22	ZSA16025	螺絲	Screw (1/4-40x6)	2	
23	EJ4060-0A	套管	Bushing	1	
24	BB6203ZZNR	滾珠軸承	Ball Bearing	1	
25	EJ4061-0A	滾珠軸承壓板	Bearing Holder	1	
26	ZSC09006	螺絲	Screw (9/64-40x7)	3	
27	WA100013	墊圈	Washer	1	

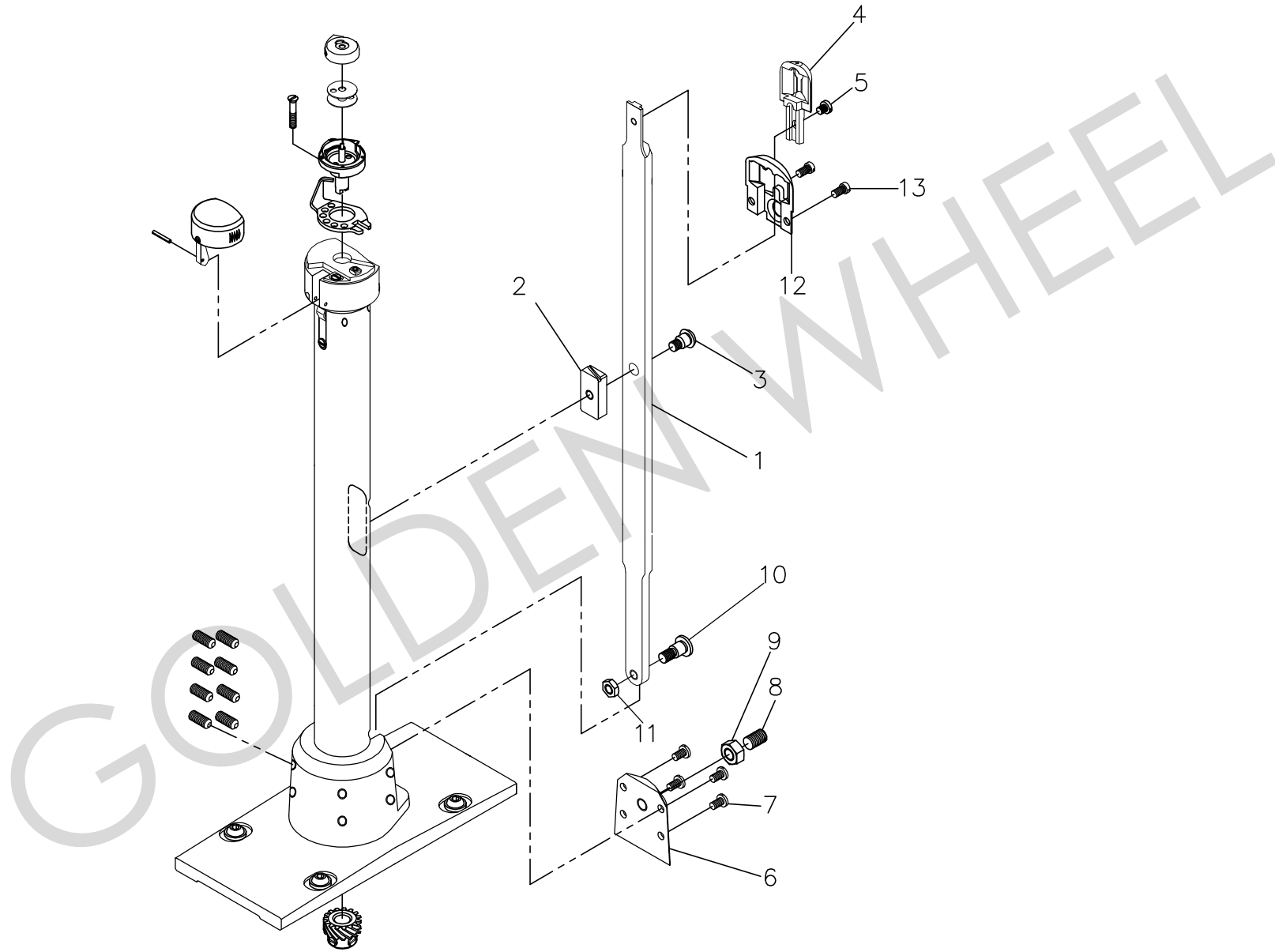
J.CS-8365H 下部送料關係 LOWER FEED MECHANISM COMPONENTS



J、CS-8365H 下部送料關係 LOWER FEED MECHANISM COMPONENTS

零件號碼 Part No	零件名稱	Name of Part	件數 Q, TY	備註 Remarks
1	8370160105	送料土台(套) ----- Feed Bar Asm.-----	1	
2	XB312002	油棉 ----- Felt -----	(1)	
3	EJ4055-0A	送料土台二叉 ----- Feed Bar Forked Connection -----	(1)	
4	8370160100	送料土台 ----- Feed Bar -----	(1)	
5	WA069003	墊圈 ----- Washer -----	(1)	
6	ZSD15002	螺絲 ----- Screw (15/64-28x15.5) -----	(1)	
7	ZSB08010	螺絲 ----- Screw (1/8-44x4.6) -----	(1)	
8	ZSB11029	螺絲 ----- Screw (11/64-40x7) -----	1	
9	RE000060	E 扣環 ----- E-ring -----	2	
10	EJ4047-0A	連接板鎖 ----- Shaft -----	1	
11	EJ4018-0A	連接桿 ----- Link -----	1	
12	XA300030	油線 ----- Oil Wick -----	1	
13	EJ4051-2A	送料台軸 ----- Feed Bar Shaft -----	1	
14	ZSB12015	螺絲 ----- Screw (3/16-28x12) -----	2	
15	EJ4045-1A	送料台連桿 ----- Feed Bar Rod -----	1	
16	ZSA16033	螺絲 ----- Screw (1/4-24x8) -----	2	
17	EJ4041-0A	上送軸套管(左) ----- Bushing (Front) -----	2	
18	EJ4044-0A	定環 ----- Thrust Collar -----	2	
19	ZSA16010	螺絲 ----- Screw (1/4-40x4.5) -----	4	
20	EJ4048-0A	針送料桿 ----- Feed Connection Crank (Middle) -----	1	
21	ZSB16004	螺絲 ----- Screw (1/4-24x16) -----	1	
22	EJ4040-0A	搖動軸 ----- Feed Rocker Shaft -----	1	
23	ZSB16004	螺絲 ----- Screw (1/4-24x6) -----	1	
24	EJ4046-0A	針送料桿 ----- Feed Connection Crank (Right) -----	1	
25	WH206001	墊圈 ----- Washer -----	1	
26	ZMG06013	螺絲 ----- Hinge Screw -----	1	
27	ZML06005	螺帽 ----- Nut -----	1	

K.CS-8365H 下軸.送料關係 LOWER SHAFT & FEED MECHANISM COMPONENTS

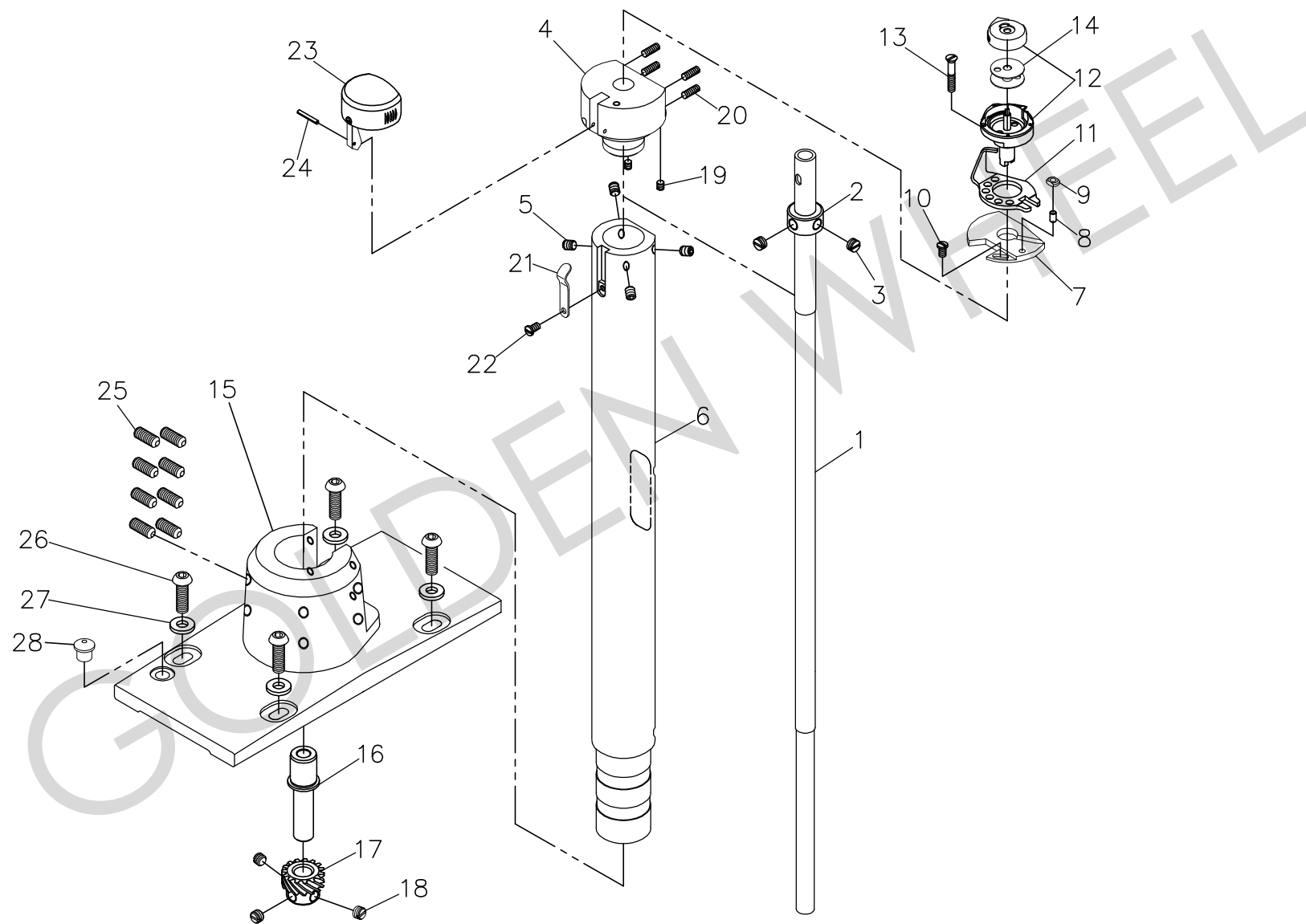


K、CS-8365H 下軸、送料關係 LOWER SHAFT & FEED MECHANISM COMPONENTS

	零件號碼 Part No	零件名稱	Name of Part	件數 Q, TY	備註 Remarks
1	83651625H0	送齒板 -----	Feed Link -----	1	
2	4400162600	送料齒板滑塊 -----	Slide Block -----	1	
3	ZSG15059	螺絲 -----	Hinge Screw -----	1	
4	4400161400	單針送料齒 -----	Feed Dog -----	1	
5	ZSB11093	螺絲 -----	Screw (11/64-40x4.3) -----	1	
6	4400187100	護蓋 -----	Support Plate -----	1	
7	ZSB11032	螺絲 -----	Screw (11/64-40x7.8) -----	4	
8	ZMA08002	螺絲 -----	Screw (M8x1.25) -----	1	
9	ZML08001	螺帽 -----	Nut -----	1	
10	ZSG16027	螺絲 -----	Hinge Screw -----	1	
11	ZSL16010	螺帽 -----	Nut -----	1	
12	8365111300	針板 -----	Throat Plate -----	1	
13	ZSE11002	螺絲 -----	Screw (11/64-40x8) -----	2	

GOLDEN WHEEL

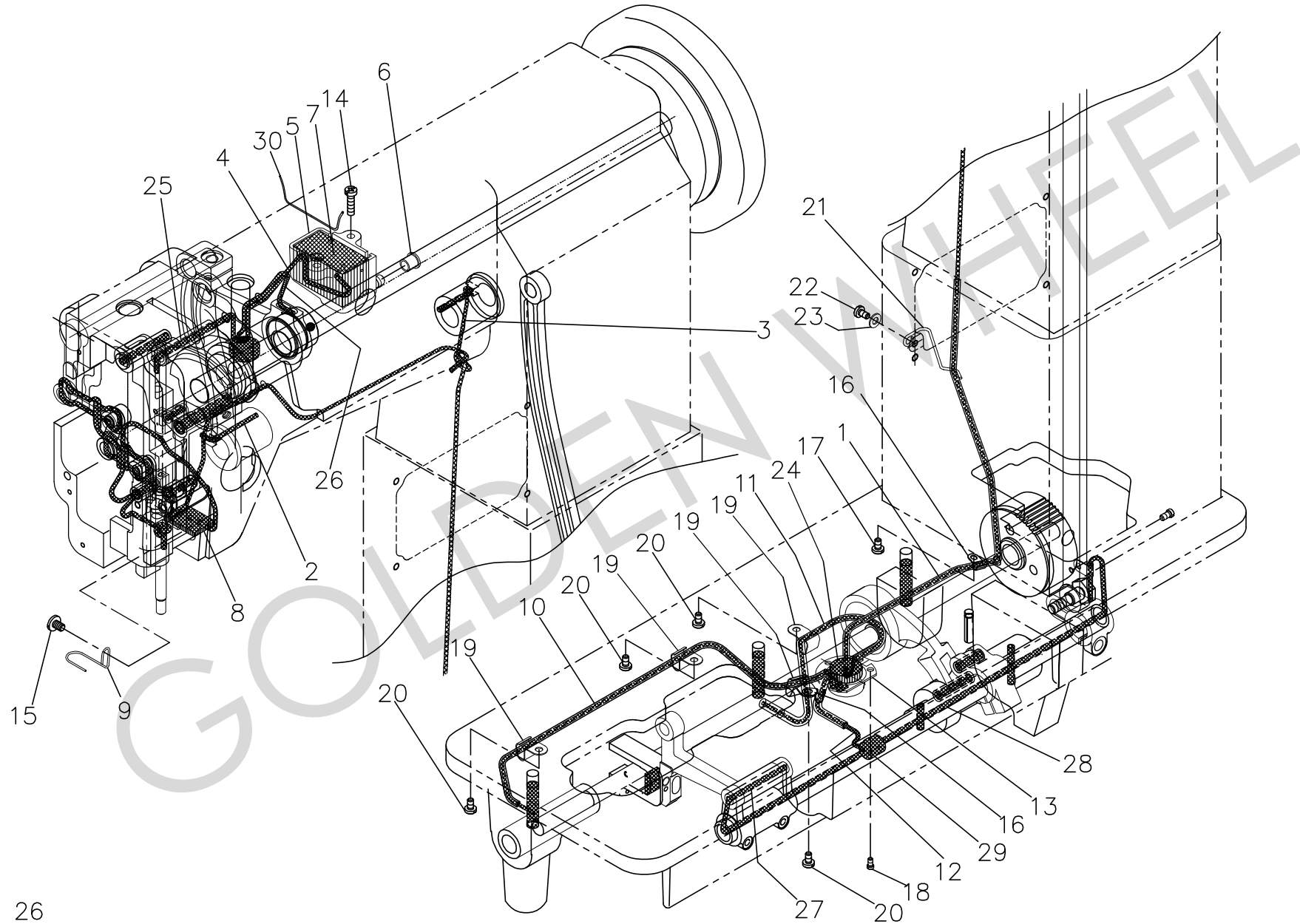
L.CS-8365H 釜軸座關係 HOOK SADDLE MECHANISM COMPONENTS



L、CS-8365H 釜軸座關係 HOOK SADDLE MECHANISM COMPONENTS

零件號碼 Part No	零件名稱	Name of Part	件數 Q, TY	備註 Remarks
1	83651863H0	釜軸 ----- Hook Shaft -----	1	
2	LG4014-0A	定環 ----- Collar -----	1	
3	ZSH16005	螺絲 ----- Screw (1/4-40x4.5) -----	2	
4	4400110600	釜台 ----- Hook Saddle -----	1	
5	ZMH05002	螺絲 ----- Screw (M5-0.8x6) -----	4	
6	83651860H0	釜台支持 ----- Hook Saddle Support -----	1	
7	4400186900	牛角連接器 ----- Hook Stopper Link -----	1	
8	YA032057	固定銷 ----- Pin -----	1	
9	B6017-0A	牛角導塊 ----- Hook Stopper Slide Block -----	1	
10	ZSB09029	螺絲 ----- Screw (9/64-40x6) -----	1	
11	4400186800	牛角 ----- Hook Stopper -----	1	
12	4400185100	梭頭(套) ----- Hook Asm. -----	1	
13	ZSC09025	螺絲 ----- Screw (9/64-36x26) -----	1	
14	A7006-0A	梭孔 ----- Bobbin -----	1	
15	4400186100	釜台支持座 ----- Hook Saddle Support Base -----	1	
16	4400188100	套筒 ----- Bushing -----	1	
17	C4025-0A	斜齒輪(小) ----- Spiral Gear (Small) -----	1	
18	ZSA16010	螺絲 ----- Screw (1/4-40x4) -----	3	
19	ZSA09010	螺絲 ----- Screw (9/64-40x6) -----	2	
20	ZSA09006	螺絲 ----- Screw (9/64-40x10) -----	4	
21	4400183700	彈簧板 ----- Spring Plate -----	1	
22	ZSB08036	螺絲 ----- Screw (1/8-40x3.5) -----	1	
23	4400183604	釜蓋(套) ----- Hook Cover Asm. -----	1	
24	YD020014	彈簧銷 ----- Spring Pin -----	1	
25	ZMH06009	螺絲 ----- Screw (M6-1.0x15) -----	8	
26	ZMQ06002	螺絲 ----- Screw (M6-1.0x20) -----	4	
27	WA060004	墊圈 ----- Washer -----	4	
28	A1077-0A	油蓋 ----- Cap -----	1	

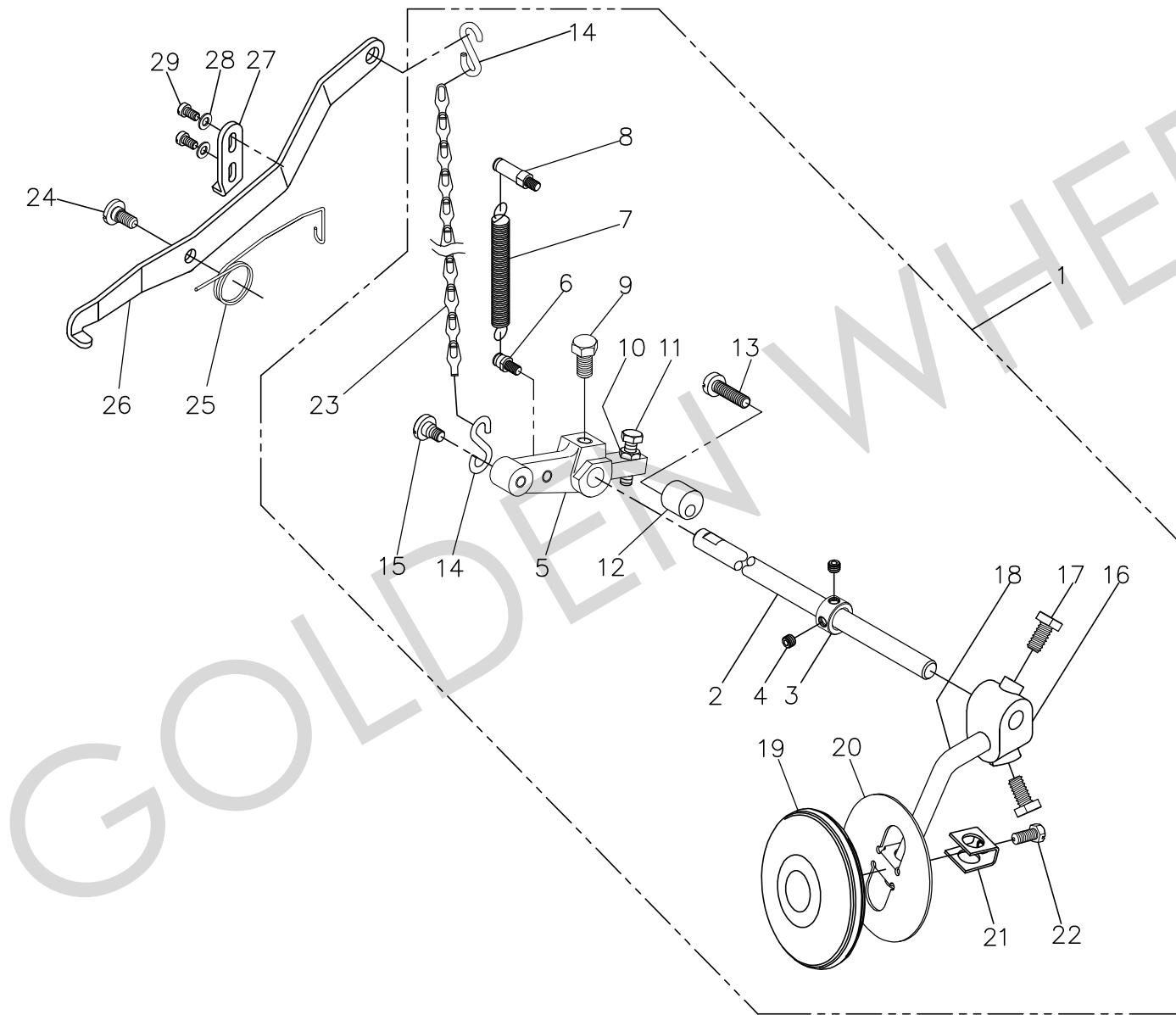
M.CS-8365H 油潤滑關係 OIL LUBRICATION MECHANISM COMPONENTS



M、CS-8365H 油潤滑關係 OIL LUBRICATION MECHANISM COMPONENTS

	零件號碼 Part No	零件名稱	Name of Part	件數 Q, TY	備註 Remarks
1	8330357005	油線(套)	Oil Wick Asm.	1	
2	XA300045	油線	Oil Wick	1	
3	XA300140	油線	Oil Wick	1	
4	XA300160	油線	Oil Wick	1	
5	EJ1367-0A	油溜	Oil Wick Asm.	1	
6	8370353300	塑膠塞	Cap	1	
7	8370355500	油棉	Felt	1	
8	XB316001	油棉	Felt	1	
9	EJ4175-0A	油線固定片	Holder	1	
10	8370357105	油線(套)	Oil Wick Asm.	1	
11	8370357205	油線(套)	Oil Wick Asm.	1	
12	8370357305	油線(套)	Oil Wick Asm.	1	
13	EJ6076-0A	釜軸油溜	Oil Reservoir	1	
14	ZMB04022	螺絲	Screw (M4-0.7x15)	2	
15	ZSB11016	螺絲	Screw (11/64-40x6.5)	1	
16	EJ1375-0A	油管壓板	Holder	2	
17	ZSB09011	螺絲	Screw (9/64-40x6.5)	1	
18	ZSB09018	螺絲	Screw (9/64-40x6.5)	3	
19	EJ4171-0A	油管壓板	Holder	4	
20	ZSB09011	螺絲	Screw (9/64-40x6.5)	4	
21	8370353000	油管支持板	Holder	1	
22	ZSB11011	螺絲	Screw (11/64-40x8)	1	
23	WA049003	墊圈	Washer	1	
24	8370355600	油棉	Felt	1	
25	XA300240	油線	Oil Wick	1	
26	XB206003	油棉	Felt	1	
27	XA300150	油線	Oil Wick	1	
28	XA300430	油線	Oil Wick	1	
29	XB110001	油棉	Felt	1	
30	EJ1369-0A	彈簧	Spring	1	

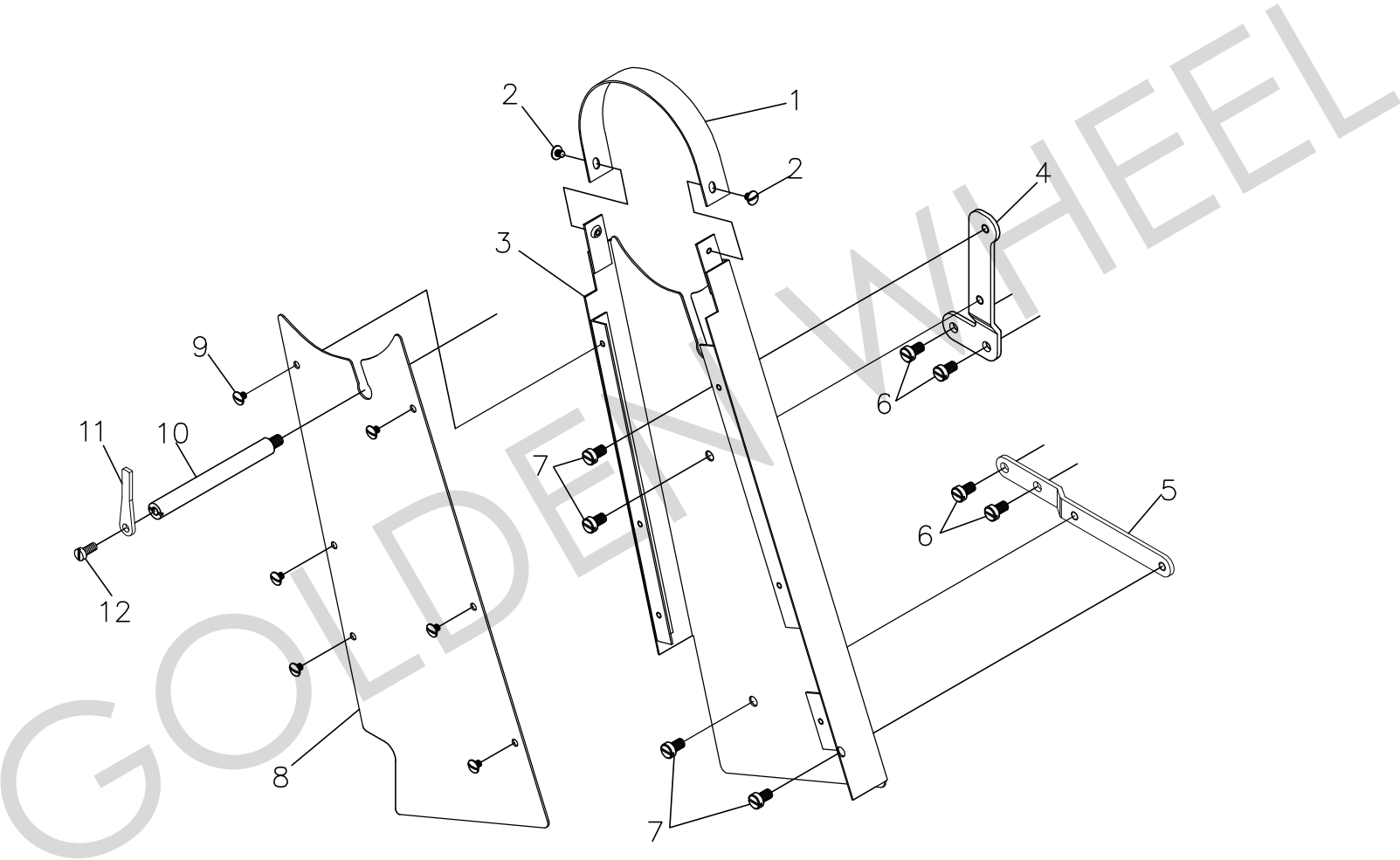
N.CS-8365H 脚弓關係 KNEE LIFTER COMPONENTS



N、CS-8365H 腳弓關係 KNEE LIFTER COMPONENTS

	零件號碼 Part No	零件名稱	Name of Part	件數 Q, TY	備註 Remarks
1	8365703000	腳弓組 -----	Knee Lever Bottom Parts Assy. -----	1	
2	8370341700	腳押直桿 -----	Knee Lifter Shaft -----	(1)	
3	LG4014-0A	定環 -----	Collar -----	(1)	
4	ZSH16005	螺絲 -----	Screw (1/4-40x4.5) -----	(1)	
5	8370341609	連接器 -----	Knee Lifter Crank (Rear) -----	(1)	
6	ZMK05017	彈簧掛 -----	Spring Hook -----	(1)	
7	L1312-0A	彈簧 -----	Spring -----	(1)	
8	ZMK05018	彈簧掛 -----	Spring Hook -----	(1)	
9	ZSD20007	螺絲 -----	Screw (5/16-18x16) -----	(1)	
10	ZML06002	螺帽 -----	Nut -----	(1)	
11	ZMD06005	螺絲 -----	Screw (M6-1.0x25) -----	(1)	
12	8370341100	固定銷 -----	Stopper -----	(1)	
13	ZSB16011	螺絲 -----	Screw (1/4-24x25) -----	(1)	
14	4710340800	S 型銷 -----	S-plug -----	(1)	
15	ZSG16013	螺絲 -----	Hinge Screw -----	(1)	
16	A7034-0A	連接器 -----	Knee Lifter Crank -----	(1)	
17	ZSD20007	螺絲 -----	Screw (5/16-18x15.5) -----	(1)	
18	8370341900	腳押曲桿 -----	Knee Lever Rod -----	(1)	
19	A7037-0A	腳弓大餅 -----	Knee Guird -----	(1)	
20	A7037-1A	腳弓餅支架 -----	Knee Plate -----	(1)	
21	A7036-0A	固定支架 -----	Retainer -----	(1)	
22	ZSD15007	螺絲 -----	Screw (15/64-28x14) -----	(1)	
23	B7060-0A	鎖子 -----	Chain (517.6mm) -----	(1)	
24	ZSG16005	螺絲 -----	Screw (1/4-24x14) -----	1	
25	EJ1301-0A	腳弓板彈簧 -----	Twist Spring -----	1	
26	8370341500	押腳提桿 -----	Knee Lifting Lever -----	1	
27	8370343700	固定片 -----	Stopper -----	1	
28	WA059002	墊圈 -----	Washer -----	2	
29	ZSB11012	螺絲 -----	Screw (11/64-40x8) -----	2	

O.CS-8365H 皮帶蓋關係 BELT COVER COMPONENTS

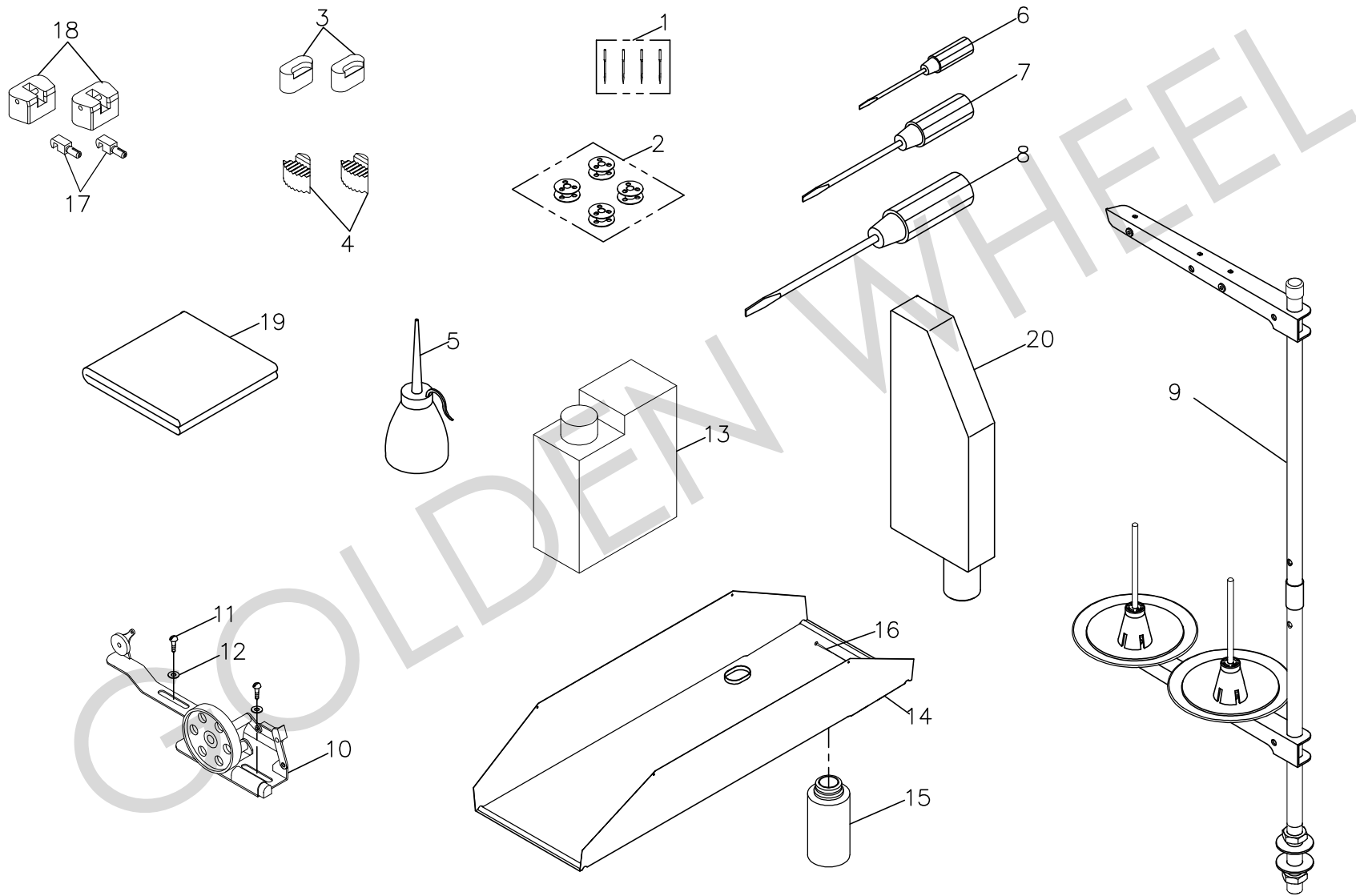


0、CS-8365H 皮帶蓋關係 BELT COVER COMPONENTS

	零件號碼 Part No	零件名稱	Name of Part	件數 Q, TY	備註 Remarks
1	8370335505	皮帶蓋(套) -----	Belt Cover Asm. -----	1	
2	ZMB04018	螺絲 -----	Screw (M4-0.7x5) -----	2	
3	8332335100	皮帶蓋 A-----	Belt Cover A -----	1	
4	83653356MA	皮帶蓋取付(上) -----	Belt Cover Plate -----	1	
5	83653356MB	皮帶蓋取付(下) -----	Belt Cover Plate -----	1	
6	ZSB15010	螺絲 -----	Screw (15/64-28x10) -----	4	
7	ZSB15010	螺絲 -----	Screw (15/64-28x10) -----	4	
8	8332335200	皮帶蓋 -----	Belt Cover -----	1	
9	ZMB04018	螺絲 -----	Screw (M4-0.7x5) -----	1	
10	8330912500	檢出器定位銷 -----	Supporter -----	1	
11	EJ7099-2C	檢出器定位板 -----	Support Plate -----	1	
12	ZSB11011	螺絲 -----	Screw (11/64-40x8) -----	1	

GOLDEN WHEEL

P.CS-8365H 附件 ACCESSORIES



P、CS-8365H 附件 ACCESSORIES

	零件號碼 Part No	零件名稱	Name of Part	件數 Q, TY	備註 Remarks
1	INDPx17-22	針 -----	Needle DPx17-22 -----	4	
2	71721832T0	梭孔 -----	Bobbin -----	4	
3	4400911500	防震橡膠 -----	Vibration Preventing Rubber -----	2	
4	E7026-1B	橡膠墊座 -----	Head Cushion -----	2	
5	A7012-1A	油壺(中) -----	Oilier (Madder) -----	1	
6	A7010-0A	螺絲起子(小) -----	Screw-Driver(Small) -----	1	
7	A7010-1A	螺絲起子(中) -----	Screw-Driver(Madder) -----	1	
8	A7010-2A	螺絲起子(大) -----	Screw-Driver(Large) -----	1	
9	J7050-0A	線架 -----	Cotton Stand-----	1	
10	A7040-0A	捲線器組 -----	Bobbin Winder Assy. -----	1	
11	ZMT05003	木螺絲 -----	Wood Screw-----	2	
12	WA059003	墊圈 -----	Washer -----	2	
13	A7012-2A	油壺(大) -----	Oilier(Large) -----	1	
14	8370912001	下油槽 -----	Oil Pan-----	1	
15	A7012-0A	油壺(小) -----	Oilier (Small) -----	1	
16	A7011-0A	鐵釘 -----	Nail-----	12	
17	4400911700	後鈕釦 -----	Head Hinge-----	2	
18	J7022-0B	後鈕座 -----	Rubber Cushion-----	2	
19	C7001-0A	車頭蓋 -----	Head Cover-----	1	
20	J7025-0A	枕木 -----	Head Rest Wood-----	1	

Q. CS-8365H 零件號碼與頁數對照 NUMERICAL PARTS-LIST

零件號碼 PARTS NO.	頁數 PAGE	零件號碼 PARTS NO.	頁數 PAGE	零件號碼 PARTS NO.	頁數 PAGE	零件號碼 PARTS NO.	頁數 PAGE	零件號碼 PARTS NO.	頁數 PAGE
4400110600	25	83651863H0	25	8370357205	27	BB6203ZZNR	19	EJ1074-0A	9
4400161400	23	83653356MA	31	8370357305	27	BB6204ZZNR	7	EJ10800A	9
4400162600	23	83653356MB	31	8370912001	33	BNTA2616Z	19	EJ1081-0A	9
4400164100	17	8365703000	29	A1013-1A	3	C1052-0A	3	EJ1090-0A	9
4400183604	25	8370120100	7	A1024-1A	5	C1054-0A	3	EJ1091-0A	9
4400183700	25	8370120800	7	A1030-0A	5	C1141-0B	3	EJ1092-0A	9
4400185100	25	8370122300	7	A1031-0A	5	C1174-0A	17	EJ1101-0A	7
4400186100	25	8370131700	7	A1032-0A	5	C1183-0A	13	EJ1103-0A	7
4400186800	25	8370131704	7	A1033-0A	5	C4015-0A	19	EJ1150-0A	17
4400186900	25	8370143605	13	A1034-0A	5	C4025-0A	25	EJ1155-0A	17
4400187100	23	8370143700	9	A1035-0A	5	C4026-0A	19	EJ1160-0A	17
4400188100	25	8370145105	13	A1036-0A	5	C7001-0A	33	EJ1161-0A	17
4400190100	9	8370151000	13	A1038-0A	5	E1021-0A	5	EJ1163-0A	17
4400310505	5	8370153000	13	A1061-0A	9	E1158-0A	17	EJ1166-0A	17
4400911500	33	8370160100	21	A1062-0A	9	E1171-2A	17	EJ1170-0A	17
4400911700	33	8370160105	21	A1077-0A	3,25	E1172-2A	17	EJ1180-0A	13
4710340800	29	8370160600	19	A1107-0A	9	E1173-2A	17	EJ1200-0A	13
6120310801	5	8370160905	19	A1130-0A	15	E1174-2A	17	EJ1208-0A	13
7162311000	3	8370164005	17	A7006-0A	25	E1291-0A	15	EJ1272-0A	13
71721832T0	33	8370180100	19	A7010-0A	33	E1297-0A	15	EJ1278-0A	13
8330131600	7	8370180300	19	A7010-1A	33	E1298-0A	15	EJ1280-0A	13
8330131604	7	8370270105	9	A7010-2A	33	E7026-1B	33	EJ1281-0A	13
8330131605	7	8370271000	11	A7011-0A	33	EJ1010-0A	3	EJ1282-0A	9
8330357005	27	8370311605	3	A7012-0A	33	EJ1010-1A	3	EJ1283-0A	13
8330912500	31	8370335505	31	A7012-1A	33	EJ1011-0A	3	EJ1284-0A	13
8332130800	7	8370341100	29	A7012-2A	33	EJ1011-1A	3	EJ1286-0A	13
83321308A0	7	8370341500	29	A7034-0A	29	EJ1012-0A	3	EJ1287-0A	13
8332130900	7	8370341609	29	A7036-0A	29	EJ1014-0A	3	EJ1290-0A	15
8332130905	7	8370341700	29	A7037-0A	29	EJ1017-0A	3	EJ1295-0A	15
8332131000	7	8370341900	29	A7037-1A	29	EJ1026-4A	5	EJ1300-0A	15
8332165100	17	8370343700	29	A7040-0A	33	EJ1028-0A	5	EJ1301-0A	15,29
8332166000	17	8370353000	27	B1275-0A	13	EJ1037-0A	5	EJ1305-0A	15
8332271100	11	8370353100	13	B1283-0A	13	EJ1051-0A	3	EJ1331-0A	11
8332335100	31	8370353200	13	B4131-0A	7	EJ1055-0A	3	EJ1332-0A	11
8332335200	31	8370353300	27	B4135-0A	7	EJ1056-0A	3	EJ1333-0A	11
8365111300	23	8370355500	27	B6017-0A	25	EJ1057-0A	3	EJ1334-0A	11
83651625H0	23	8370355600	27	B7060-0A	29	EJ1063-0A	3	EJ1337-0A	11
83651860H0	25	8370357105	27	BB6000ZZ	7	EJ1070-0A	9	EJ1341-0A	11

Q. CS-8365H 零件號碼與頁數對照 NUMERICAL PARTS-LIST

零件號碼 PARTS NO.	頁數 PAGE	零件號碼 PARTS NO.	頁數 PAGE	零件號碼 PARTS NO.	頁數 PAGE	零件號碼 PARTS NO.	頁數 PAGE	零件號碼 PARTS NO.	頁數 PAGE
EJ1343-0A	11	EJ6076-0A	27	XA300040	9	ZMT05003	33	ZSB11017	13
EJ1344-0A	11	EJ7099-2C	31	XA300045	27	ZSA09006	25	ZSB11022	5
EJ1367-0A	27	F1076-0A	9	XA300055	17	ZSA09010	25	ZSB11026	13
EJ1369-0A	27	INDPx17-22	9,33	XA300065	9	ZSA11005	11	ZSB11028	17
EJ1375-0A	27	J1041-0A	5	XA300080	9	ZSA15010	9	ZSB11029	21
EJ4012-0A	19	J7022-0B	33	XA300085	11	ZSA15017	7,9	ZSB11032	23
EJ4016-0A	19	J7025-0A	33	XA300130	13	ZSA15019	7	ZSB11041	3
EJ4017-0A	19	J7050-0A	33	XA300140	13,27	ZSA15021	7	ZSB11069	13
EJ4018-0A	21	L1312-0A	29	XA300150	27	ZSA15025	17	ZSB11083	13
EJ4040-0A	21	LG4014-0A	25,29	XA300160	27	ZSA15028	15	ZSB11093	23
EJ4041-0A	21	OP00100A	17	XA300200	9	ZSA16010	21,25	ZSB12015	21
EJ4044-0A	21	RB200250	15	XA300240	9,27	ZSA16011	15	ZSB12017	17
EJ4045-1A	21	RB200260	19	XA300430	27	ZSA16021	19	ZSB15004	7,17
EJ4046-0A	21	RE000025	7	XB110001	27	ZSA16025	19	ZSB15006	7
EJ4047-0A	21	RE000050	3	XB118001	7	ZSA16033	7,11,21	ZSB15009	17
EJ4048-0A	21	RE000060	21	XB206003	9,15,27	ZSA16034	7,13	ZSB15010	31
EJ4051-2A	21	S1013-0B	3	XB304001	19	ZSA16040	19	ZSB15026	7
EJ4055-0A	21	S1014-0B	3	XB312002	21	ZSA16041	19	ZSB15037	17
EJ4060-0A	19	WA049003	3,27	XB316001	27	ZSB06001	5	ZSB15041	7
EJ4061-0A	19	WA049006	13	YA032057	25	ZSB06002	9	ZSB16004	11,21
EJ4115-0A	17	WA059002	9	YB040025	11	ZSB08002	9	ZSB16011	29
EJ4120-0A	3	WA059002	29	YD020014	25	ZSB08010	21	ZSB18001	7
EJ4121-0A	3	WA059003	33	YD050018	3	ZSB08036	25	ZSB18002	7
EJ4132-0A	7	WA060004	25	ZMA08002	23	ZSB09005	5	ZSB20009	13
EJ4133-0A	7	WA069001	7	ZMB04018	31	ZSB09007	5	ZSC06005	9
EJ4134-0A	7	WA069003	21	ZMB04022	27	ZSB09011	3,27	ZSC09006	19
EJ4136-0A	7	WA069011	15	ZMD06005	29	ZSB09016	3	ZSC09009	3
EJ4137-0A	7	WA100013	19	ZMG06003	15	ZSB09018	27	ZSC09021	3
EJ4138-0A	7	WARN000500	3	ZMG06013	21	ZSB09028	13	ZSC09025	25
EJ4150-0A	17	WH206001	21	ZMH05002	25	ZSB09029	25	ZSD11001	9
EJ4151-0A	19	WH208007	9	ZMH06009	25	ZSB09032	9	ZSD15002	21
EJ4152-0A	19	WH209003	17	ZMK05017	29	ZSB10002	13	ZSD15007	7,29
EJ4153-0A	17	WH212004	17	ZMK05018	29	ZSB11009	13	ZSD16007	15
EJ4154-0A	17	XA300010	13	ZML06001	15	ZSB11010	9	ZSD20007	29
EJ4156-0A	17	XA300020	13	ZML06002	29	ZSB11011	17,27,31	ZSE11002	23
EJ4157-0A	17	XA300027	9	ZML06005	21	ZSB11012	3,29	ZSG08003	3
EJ4171-0A	27	XA300030	19,21	ZML08001	23	ZSB11014	17	ZSG09004	5
EJ4175-0A	27	XA300035	17	ZMQ06002	25	ZSB11016	27	ZSG09005	5

Q. CS-8365H 零件號碼與頁數對照 NUMERICAL PARTS-LIST

零件號碼 PARTS NO.	頁數 PAGE	零件號碼 PARTS NO.	頁數 PAGE	零件號碼 PARTS NO.	頁數 PAGE	零件號碼 PARTS NO.	頁數 PAGE	零件號碼 PARTS NO.	頁數 PAGE
ZSG15059	23								
ZSG16003	15								
ZSG16005	15,29								
ZSG16013	29								
ZSG16018	13								
ZSG16027	23								
ZSH15002	19								
ZSH15006	19								
ZSH16005	25,29								
ZSK11036	13								
ZSK16017	15								
ZSL09001	5								
ZSL16010	23								
ZSL20004	11								
ZSN16002	5								