

NO : 3811A01

金輪牌工業用縫紉機

GOLDEN WHEEL INDUSTRIAL SEWING MACHINE

零件分解圖

PARTS BOOK

MODEL: CS-3811

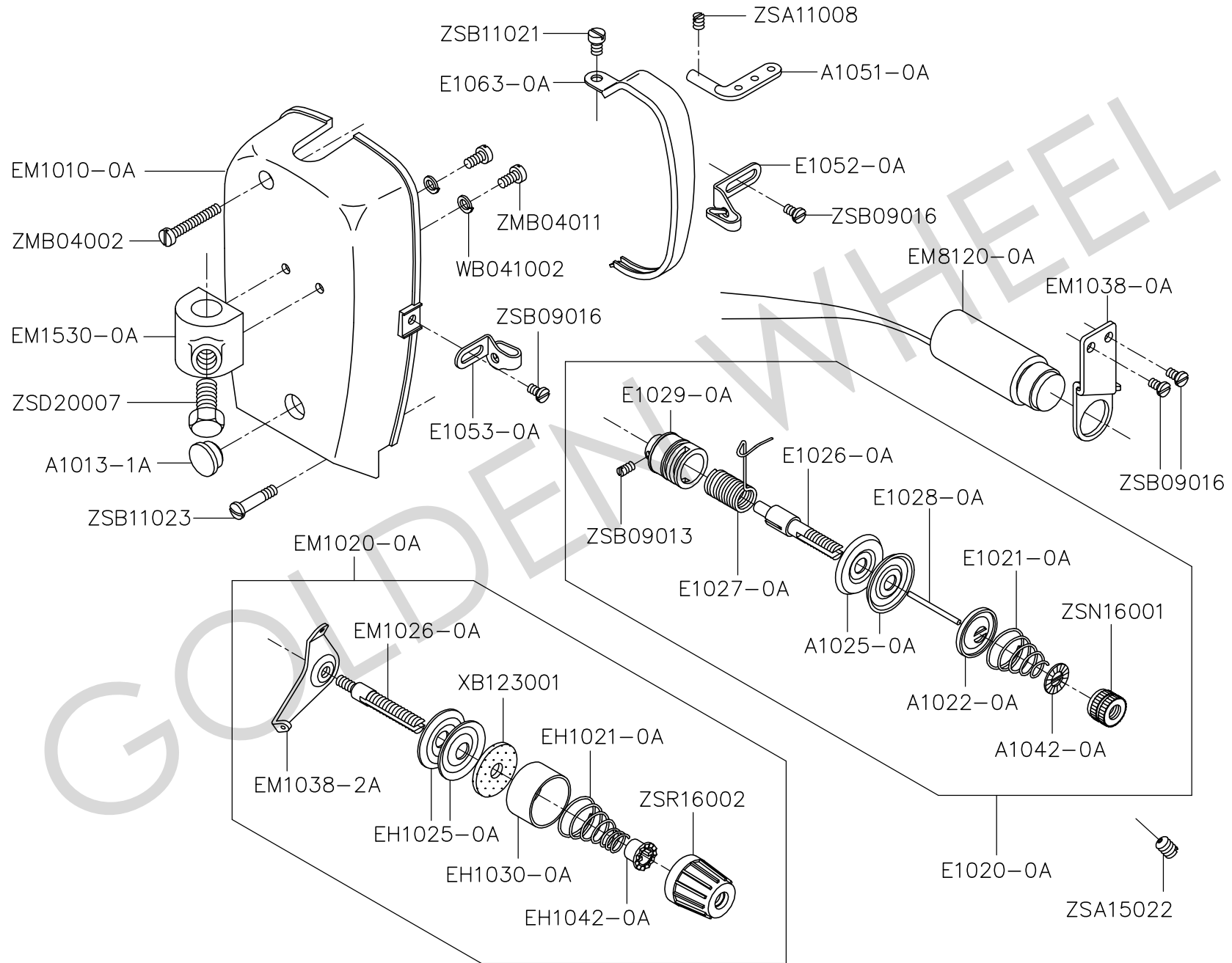
啟翔股份有限公司

CHEE SIANG INDUSTRIAL CO., LTD.

MODEL : CS-3811

| 索引 | INDEX | PAGE |
|--------------|--|-------|
| A、本體機構 | ARM BED AND IT'S ACCESSORIES | 2-3 |
| B、縫機構 | SEWING MECHANISM | 4-7 |
| C、第一段縮縫調整機構 | FIRST SECTION GATHERING-ADJUSTING MECHANISM | 8-9 |
| D、押腳機構 | PRESSER FOOT MECHANISM | 10-11 |
| E、上部送料機構 | FEED ROTATING SHAFT MECHANISM | 12-15 |
| F、第二段縮縫調整機構 | SECOND SECTION GATHERING-ADJUSTING MECHANISM | 16-17 |
| G、釜機構 | ROTARY HOOK MECHANISM | 18-19 |
| H、左右送料機構 | ZIGZAG FEED MECHANISM | 20-21 |
| I、油潤滑機構 | OIL LUBRICATION MECHANISM | 22-23 |
| J、附件 | ACCESSORIES | 24-27 |
| K、零件號碼與頁數對照表 | NUMERICAL PARTS-LIST | 28-30 |

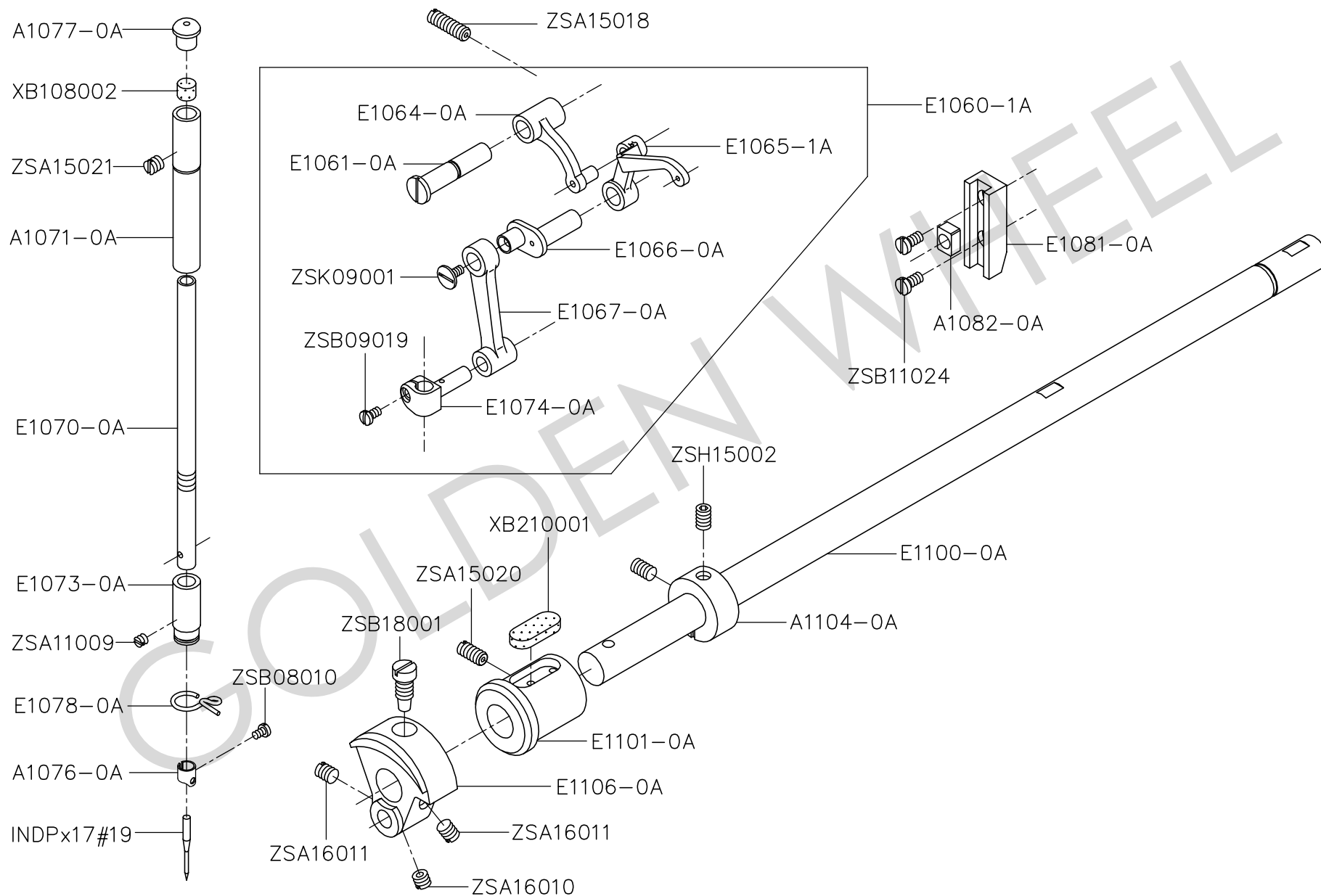
A. CS-3811 本體機構 ARM BED AND IT'S ACCESSORIES



A、CS-3811 本體機構 ARM BED AND IT'S ACCESSORIES

| 零件號碼 | 零件名稱 | Name of Part | 件數 | 零件號碼 | 零件名稱 | Name of Part | 件數 |
|-----------|---------|----------------------------------|-------|----------|------|----------------------|-------|
| Part No | | | Q, TY | Part No | | | Q, TY |
| A1013-1A | 面板塞 | Rubber Cork | 1 | WB041002 | 彈簧墊圈 | Washer | 2 |
| A1022-0A | 彈簧底座 | Tension Releasing Disc | 1 | XB123001 | 油棉 | Felt | 1 |
| A1025-0A | 壓線盤 | Tension Disc | 2 | ZMB04002 | 螺絲 | Screw (M4-0.7x28) | 1 |
| A1042-0A | 墊片 | Washer | 1 | ZMB04011 | 螺絲 | Screw (M4-0.7x8) | 2 |
| A1051-0A | 三孔線掛 | Top Cover Thread Guide | 1 | ZSA11008 | 螺絲 | Screw (11/64-40x5.5) | 1 |
| E1020-0A | 縫線壓力調整組 | Thread Tension Regulator Assy. | 1 | ZSA15022 | 螺絲 | Screw (15/64-28x8) | 1 |
| E1021-0A | 調整彈簧 | Tension Spring | 1 | ZSB09013 | 螺絲 | Screw (9/64-40x4) | 1 |
| E1026-0A | 調整螺絲桿 | Thread Tension Stud | 1 | ZSB09016 | 螺絲 | Screw (9/64-40x6) | 4 |
| E1027-0A | 吊線彈簧 | Thread Take-up Spring | 1 | ZSB11021 | 螺絲 | Screw (11/64-40x5.5) | 1 |
| E1028-0A | 鬆線銷 | Tension Releasing Pin | 1 | ZSB11023 | 螺絲 | Screw (11/64-40x20) | 1 |
| E1029-0A | 彈簧座 | Thread Tension Regulator Bushing | 1 | ZSD20007 | 螺絲 | Screw (5/16-18x16) | 1 |
| E1052-0A | 線掛 | Arm Thread Guide | 1 | ZSN16001 | 螺帽 | Nut | 1 |
| E1053-0A | 線掛 | Arm Thread Guide | 1 | ZSR16002 | 螺帽 | Nut | 1 |
| E1063-0A | 天秤蓋 | Thread Take-up Cover | 1 | | | | |
| EH1021-0A | 調整彈簧 | Tension Spring | 1 | | | | |
| EH1025-0A | 壓線盤 | Tension Disc | 2 | | | | |
| EH1030-0A | 外殼 | Disc Cover | 1 | | | | |
| EH1042-0A | 彈簧座 | Adjusting Ratchet | 1 | | | | |
| EM1010-0A | 面板 | Face Plate | 1 | | | | |
| EM1020-0A | 縫線壓力調整組 | Thread Tension Regulator Assy. | 1 | | | | |
| EM1026-0A | 調整螺絲桿 | Thread Tension Stud | 1 | | | | |
| EM1038-0A | 固定座 | Hinge Stud | 1 | | | | |
| EM1038-2A | 上線壓力板 | Upper Thread Tension Plate | 1 | | | | |
| EM1530-0A | 固定座 | Hinge Stud | 1 | | | | |
| EM8120-0A | 按鈕式開關 | Push Buttons | 1 | | | | |

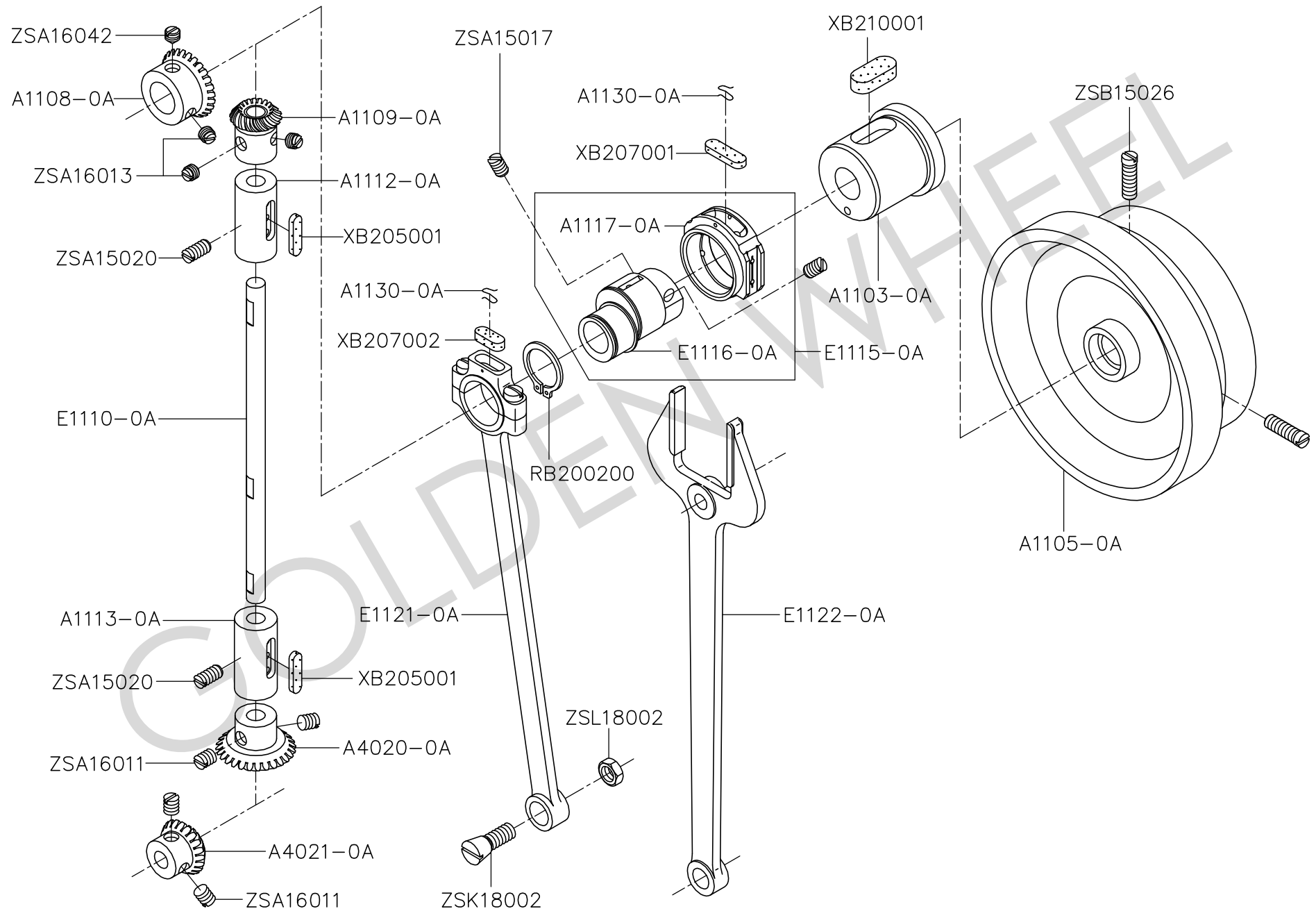
B.CS-3811 縫機構(一) SEWING MECHANISM(1)



B、CS-3811 縫機構(一) SEWING MECHANISM(1)

| 零件號碼 | 零件名稱 | Name of Part | 件數 | 零件號碼 | 零件名稱 | Name of Part | 件數 |
|------------|---------|----------------------------------|-------|----------|------|----------------------|-------|
| Part No | | | Q, TY | Part No | | | Q, TY |
| A1071-0A | 針棒套管(上) | Needle Bar Bushing (Upper) | 1 | XB108002 | 油棉 | Felt | 1 |
| A1076-0A | 針棒線掛 | Thread Guide | 1 | XB210001 | 油棉 | Felt | 1 |
| A1077-0A | 油蓋 | Needle Bar Upper Bushing Cap | 1 | ZSA11009 | 螺絲 | Screw (11/64-40x2.8) | 1 |
| A1082-0A | 針棒導引滑塊 | Needle Bar Guide Slide Block | 1 | ZSA15018 | 螺絲 | Screw (15/64-28x19) | 1 |
| A1104-0A | 固定環 | Collar | 1 | ZSA15020 | 螺絲 | Screw (15/64-28x11) | 1 |
| E1060-1A | 天秤 | Thread Take-up Lever | 1 | ZSA15021 | 螺絲 | Screw (15/64-28x4.5) | 1 |
| E1061-0A | 天秤固定銷 | Take-up Lever Support Stud | 1 | ZSA16010 | 螺絲 | Screw (1/4-40x4.5) | 1 |
| E1064-0A | 天秤滑塊 | Thread Take-up Lever Slide Block | 1 | ZSA16011 | 螺絲 | Screw (1/4-40x7) | 2 |
| E1065-1A | 天秤桿 | Take-up Lever | 1 | ZSB08010 | 螺絲 | Screw (1/8-44x4.6) | 1 |
| E1066-0A | 天秤曲柄 | Take-up Crank Pin | 1 | ZSB09019 | 螺絲 | Screw (9/64-40x6) | 1 |
| E1067-0A | 針棒連接器 | Needle Bar Crank Rod | 1 | ZSB11024 | 螺絲 | Screw (11/64-40x8) | 2 |
| E1070-0A | 針棒 | Needle Bar | 1 | ZSB18001 | 螺絲 | Screw (9/62-28x16) | 1 |
| E1073-0A | 針棒套管(下) | Needle Bar Bushing (Upper) | 1 | ZSH15002 | 螺絲 | Screw (15/64-28x8) | 2 |
| E1074-0A | 針棒鉗 | Needle Bar Clamp | 1 | ZSK09001 | 螺絲 | Screw (9/64-40) | 1 |
| E1078-0A | S形線掛 | Thread Guide Bushing (Upper) | 1 | | | | |
| E1081-0A | 針棒連接器導槽 | Needle Bar Connecting Link Guide | 1 | | | | |
| E1100-0A | 上軸 | Upper Shaft | 1 | | | | |
| E1101-0A | 上軸套管(左) | Upper Shaft Bushing (Left) | 1 | | | | |
| E1106-0A | 凸輪 | Crank Cam | 1 | | | | |
| INDPx17#19 | 針 | Needle | 1 | | | | |

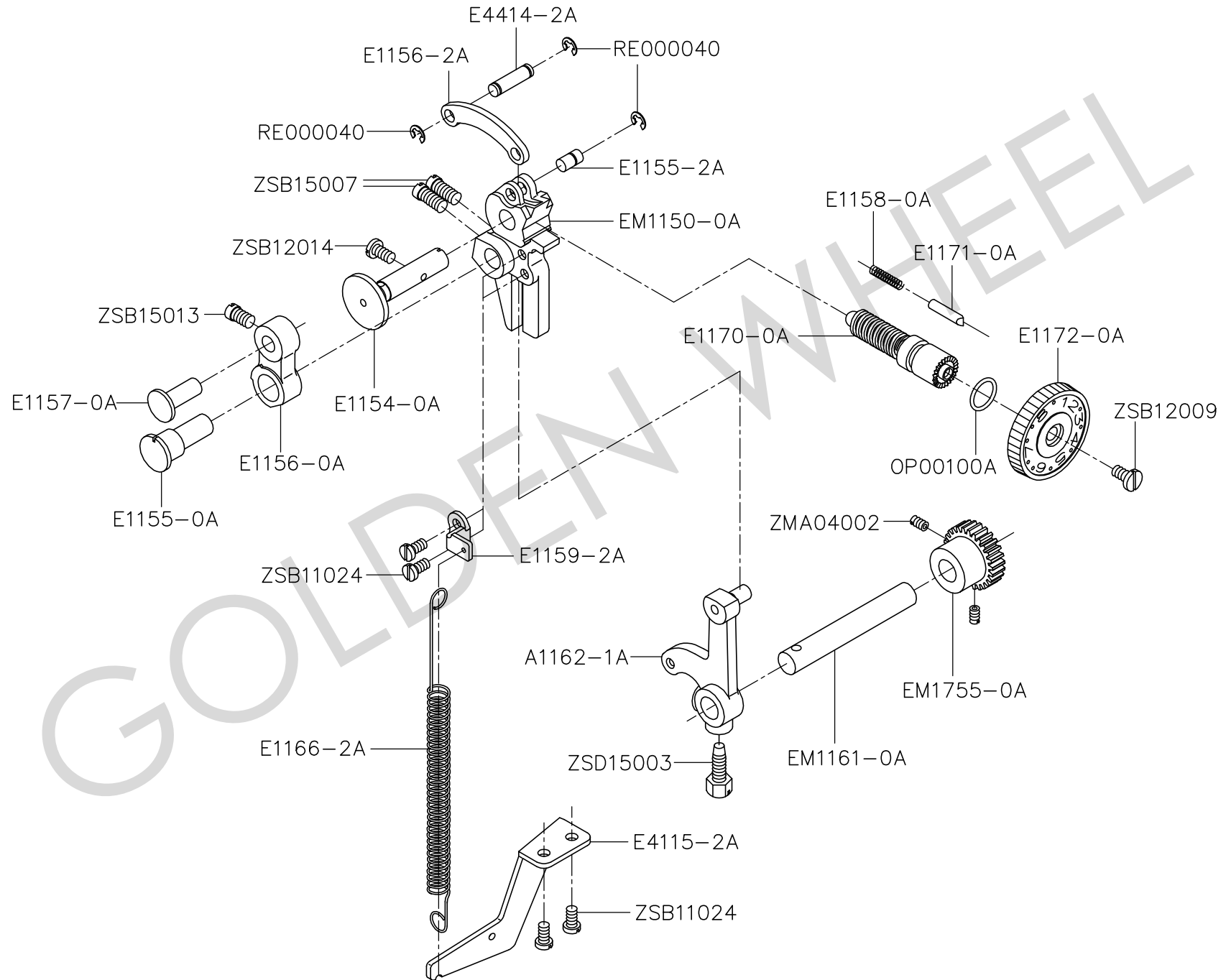
B.CS-3811 縫機構(二) SEWING MECHANISM(2)



B、CS-3811 縫機構(二) SEWING MECHANISM(2)

| 零件號碼 Part No | 零件名稱 | Name of Part | 件數 Q, TY | 備註 Remarks |
|-----------------|---------|-----------------------------------|-------------|---------------|
| A1103-0A | 上軸套管(右) | Upper Shaft Bushing (Right) | 1 | |
| A1105-0A | 皮帶輪 | Pulley | 1 | |
| A1108-0A | 齒輪(上軸) | Bevel Gear (Upper Shaft) | 1 | |
| A1109-0A | 齒輪(豎軸) | Bevel Gear (Vertical Shaft Upper) | 1 | |
| A1112-0A | 豎軸套管(中) | Vertical Shaft Bushing (Middle) | 1 | |
| A1113-0A | 豎軸套管(下) | Vertical Shaft Bushing (Under) | 1 | |
| A1117-0A | 偏心輪環 | Feed Cam Ring | 1 | |
| A1130-0A | 油棉固定彈簧 | Spring | 2 | |
| A4020-0A | 齒輪(豎軸下) | Bevel Gear (Vertical Shaft Upper) | 1 | |
| A4021-0A | 齒輪(下軸) | Bevel Gear (Hook Shaft) | 1 | |
| E1110-0A | 豎軸 | Vertical Shaft | 1 | |
| E1115-0A | 偏心輪組 | Feed Cam Assy. | 1 | |
| E1116-0A | 偏心輪 | Feed Cam | 1 | |
| E1121-0A | 曲柄動桿 | Crank Rod | 1 | |
| E1122-0A | 連接叉桿 | Feed Forked Connection | 1 | |
| RB200200 | C形扣環 | Stop Ring | 1 | |
| XB205001 | 油綿 | Oil Felt | 2 | |
| XB207001 | 油綿 | Oil Felt | 1 | |
| XB207002 | 油綿 | Oil Felt | 1 | |
| XB210001 | 油綿 | Oil Felt | 1 | |
| ZSA15017 | 螺絲 | Screw (15/64/28x8.5) | 2 | |
| ZSA15020 | 螺絲 | Screw (15/64-28x11) | 2 | |
| ZSA16011 | 螺絲 | Screw (1/4-40x7) | 4 | |
| ZSA16013 | 螺絲 | Screw (1/4-40x5.5) | 3 | |
| ZSA16042 | 螺絲 | Screw (1/4-40x7) | 1 | |
| ZSB15026 | 螺絲 | Screw (15/64-28x18) | 2 | |
| ZSK18002 | 螺絲 | Screw (9/32-28) | 1 | |
| ZSL18002 | 螺帽 | Nut | 1 | |

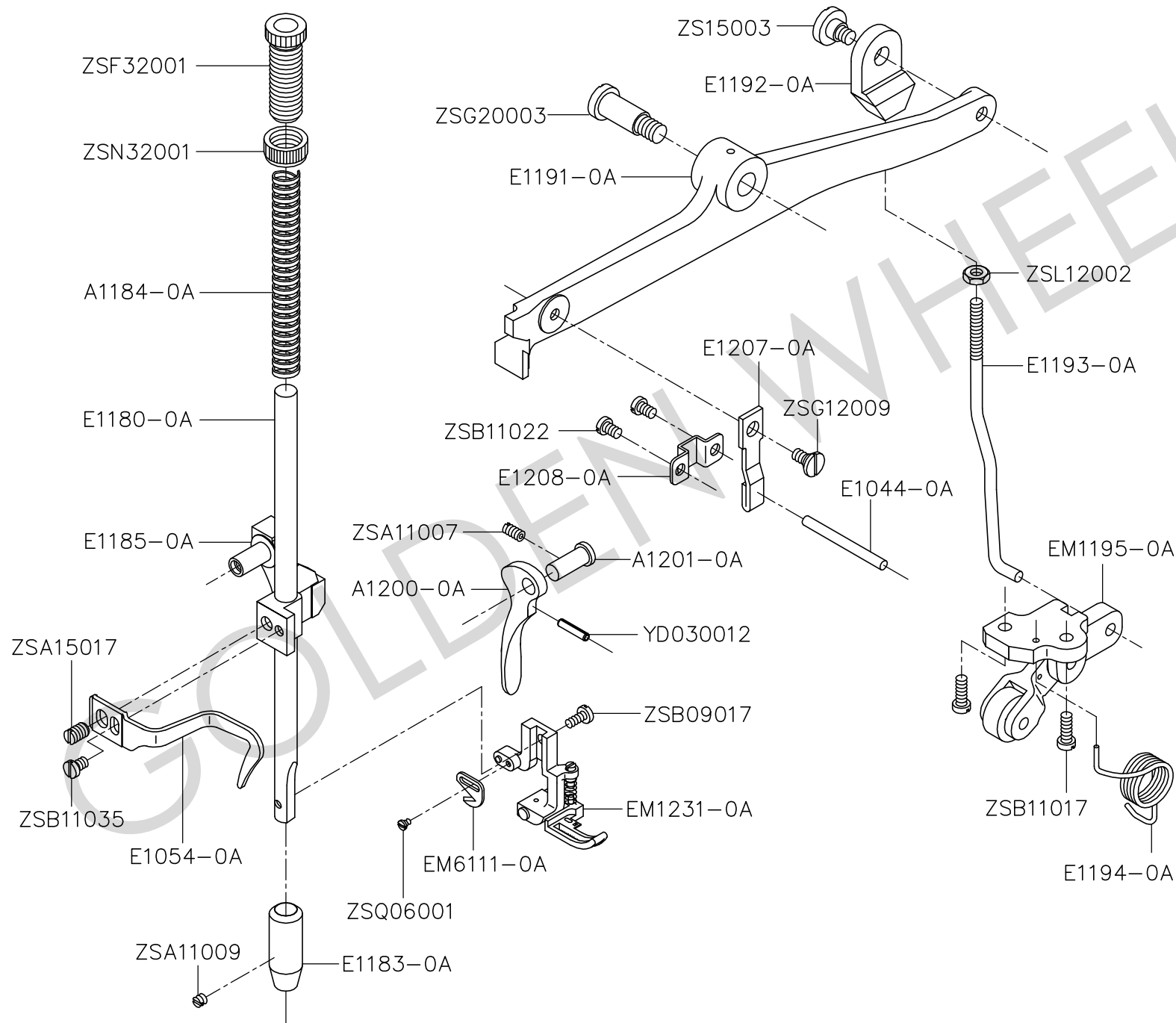
C.CS-3811 第一段縮縫調整機構 FIRST SECTION GATHERING-CHANGING MECHANISM



C、CS-3811 第一段縮縫調整機構 FIRST SECTION GATHERING-ADJUSTING MECHANISM

| 零件號碼 Part No | 零件名稱 | Name of Part | 件數 Q, TY | 備註 Remarks |
|-----------------|-------|------------------------------|-------------|---------------|
| A1162-1A | 倒縫軸 | Reverse Lever Shaft | 1 | |
| E1154-0A | 三叉固定銷 | Set Pin | 1 | |
| E1155-0A | 固定銷 | Set Pin | 1 | |
| E1155-2A | 固定銷 | Set Pin | 1 | |
| E1156-0A | 送料連桿 | Feed Connecting Link | 1 | |
| E1156-2A | 送料連桿 | Feed Connecting Link | 1 | |
| E1157-0A | 固定銷 | Set Pin | 1 | |
| E1158-0A | 壓縮彈簧 | Spring | 1 | |
| E1159-2A | 彈簧鉤板 | Bracket | 1 | |
| E1166-2A | 引伸彈簧 | Spring | 1 | |
| E1170-0A | 螺桿 | Screw-Bar | 1 | |
| E1171-0A | 定位銷 | Stopper Pin | 1 | |
| E1172-0A | 刻度盤 | Stitch Length Regulator Dial | 1 | |
| E4115-2A | 彈簧固定板 | Bracket | 1 | |
| E4414-2A | 銷 | Pin | 1 | |
| EM1150-0A | 三叉 | Feed Regulator | 1 | |
| EM1161-0A | 倒縫軸 | Reverse Lever Shaft | 1 | |
| EM1755-0A | 齒輪 | Gear | 1 | |
| OP00100A | O形環 | O-ring | 1 | |
| RE000040 | E形扣環 | E-ring | 3 | |
| ZMA04002 | 螺絲 | Screw (M4-0.7x6) | 2 | |
| ZSB11024 | 螺絲 | Screw (11/64-40x8) | 4 | |
| ZSB12009 | 螺絲 | Screw (3/16-28x8) | 1 | |
| ZSB12014 | 螺絲 | Screw (3/16-32x8) | 1 | |
| ZSB15007 | 螺絲 | Screw (15/64-28x12) | 2 | |
| ZSB15013 | 螺絲 | Screw (15/64-28x8) | 1 | |
| ZSD15003 | 螺絲 | Screw (15/64-28x16.5) | 1 | |

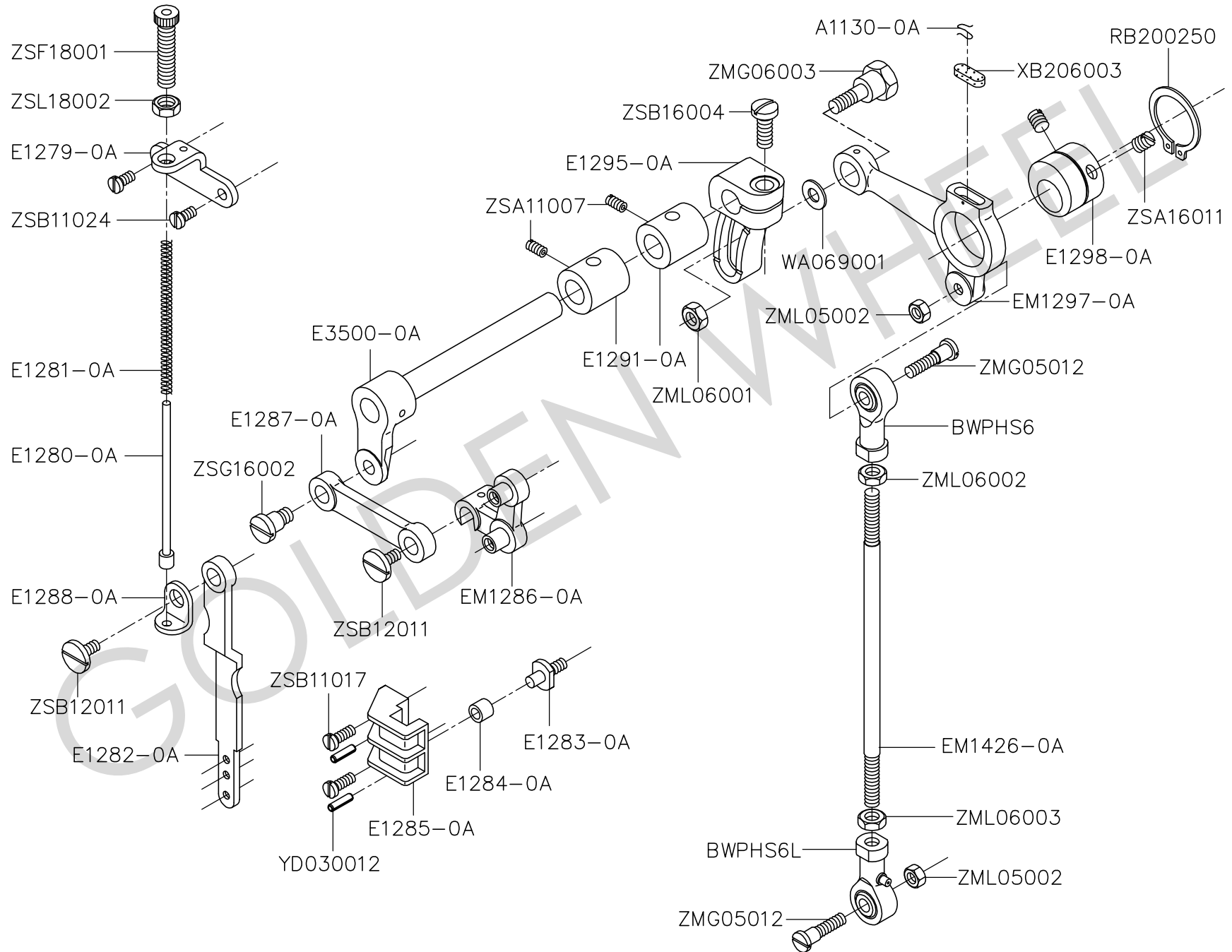
D.CS-3811 押脚機構 PRESSER FOOT MECHANISM



D、CS-3811 押腳機構 PRESSER FOOT MECHANISM

| 零件號碼 Part No | 零件名稱 | Name of Part | 件數 Q, TY | 備註 Remarks |
|-----------------|---------|-----------------------------------|-------------|---------------|
| A1184-0A | 壓縮彈簧 | Presser Spring | 1 | |
| A1200-0A | 押棒提桿 | Presser Bar Lifter | 1 | |
| A1201-0A | 押棒提桿銷 | Presser Bar Lifter Pin | 1 | |
| E1044-0A | 鬆線銷 | Tension Releasing Pin | 1 | |
| E1054-0A | 線掛 | Arm Thread Guide | 1 | |
| E1180-0A | 押棒 | Presser Bar | 1 | |
| E1183-0A | 押棒套管 | Presser Bar Bushing | 1 | |
| E1185-0A | 押棒固定座 | Presser Bar Holder | 1 | |
| E1191-0A | 押棒提升桿 | Knee Lifter Lever | 1 | |
| E1192-0A | 押棒提升桿接頭 | Knee Lifter Lever Joint | 1 | |
| E1193-0A | 連接棒 | Knee Lifter Connecting Rod | 1 | |
| E1194-0A | 扭轉彈簧 | Spring | 1 | |
| E1207-0A | 頂針板 | Upper Thread Releasing Cam | 1 | |
| E1208-0A | 引導座 | Guide Plate | 1 | |
| EM1195-0A | 砲台組 | Knee Lifter Connecting Rod Finger | 1 | |
| EM1231-0A | 內押腳 | Presser Foot | 1 | |
| EM6111-0A | 刀片 | Knife | 1 | |
| YD030012 | 彈簧銷 | Spring Pin | 1 | |
| ZSA11007 | 螺絲 | Screw (11/64-40x8) | 1 | |
| ZSA11009 | 螺絲 | Screw (11/64-40x2.8) | 1 | |
| ZSA15017 | 螺絲 | Screw (15/64-28x8.5) | 1 | |
| ZSB09017 | 螺絲 | Screw (9/4-40x8) | 1 | |
| ZSB11017 | 螺絲 | Screw (11/64-40x12) | 2 | |
| ZSB11022 | 螺絲 | Screw (11/64-40x7) | 2 | |
| ZSB11035 | 螺絲 | Screw (11/64-40x6) | 1 | |
| ZSF32001 | 螺絲 | Screw (1/2-28x38) | 1 | |
| ZSG12009 | 螺絲 | Screw (3/16-28) | 1 | |
| ZSG15003 | 螺絲 | Screw (15/64-28) | 1 | |
| ZSG20003 | 螺絲 | Screw (5/16-24) | 1 | |
| ZSL12002 | 螺帽 | Nut | 1 | |
| ZSN32001 | 螺帽 | Nut | 1 | |
| ZSQ06001 | 螺絲 | Screw (3/32-56x3) | 1 | |

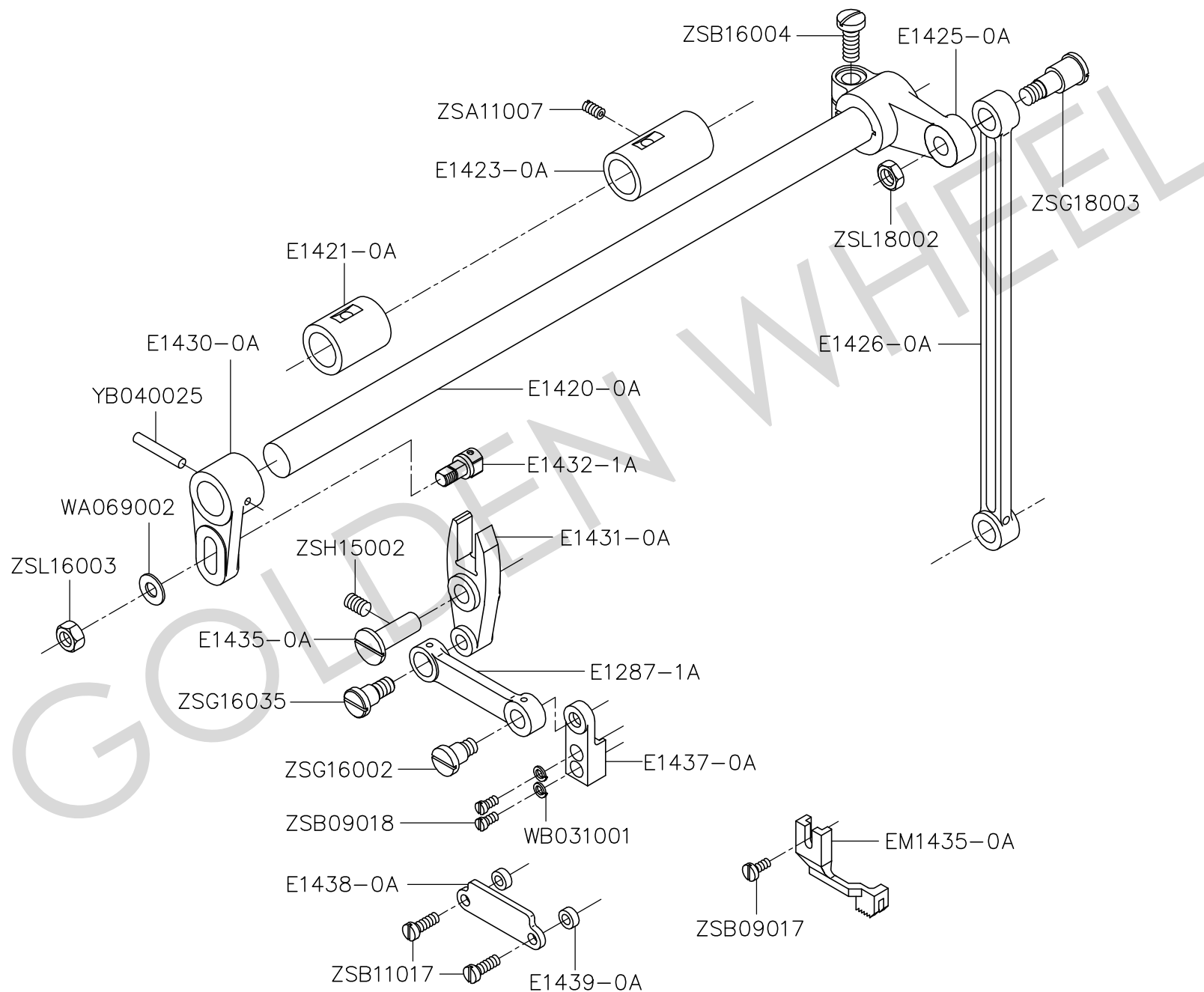
E.CS-3811 上部送料機構(一) FEED ROTATING SHAFT MECHANISM(1)



E、CS-3811 上部送料機構(一) FEED ROTATING SHAFT MECHANISM(1)

| 零件號碼 | 零件名稱 | Name of Part | 件數 | 零件號碼 | 零件名稱 | Name of Part | 件數 |
|-----------|---------|--------------------------------|-------|----------|------|---------------------|-------|
| Part No | | | Q, TY | Part No | | | Q, TY |
| A1130-0A | 油棉固定彈簧 | Spring | 1 | RB200250 | C形扣環 | Stop Ring | 1 |
| BWPHS6 | 球狀萬向型軸承 | Bearing | 1 | WA069001 | 平墊圈 | Washer | 1 |
| BWPHS6L | 球狀萬向型軸承 | Bearing | 1 | XB206003 | 油棉 | Oil Felt | 1 |
| E1279-0A | 押棒調節座 | Presser Regulating Bracket | 1 | YD030012 | 彈簧銷 | Spring Pin | 2 |
| E1280-0A | 彈簧導桿組 | Spring Guide Bar Complete | 1 | ZMG05012 | 螺絲 | Screw (M5-0.8) | 2 |
| E1281-0A | 壓縮彈簧 | Spring | 1 | ZMG06003 | 螺絲 | Screw (M6-1.0) | 1 |
| E1282-0A | 押腳引導桿 | Walking Foot Guide Link | 1 | ZML05002 | 螺帽 | Nut | 2 |
| E1283-0A | 曲柄導銷 | Bell Crank Guide Pin | 1 | ZML06001 | 螺帽 | Nut | 1 |
| E1284-0A | 導塊 | Bell Crank Guide Bracket Block | 1 | ZML06002 | 螺帽 | Nut | 1 |
| E1285-0A | 曲柄導塊滑架 | Bell Crank Guide Bracket | 1 | ZML06003 | 螺帽 | Nut | 1 |
| E1287-0A | 舉升搖軸連桿 | Feed Lifting Rock Shaft Link | 1 | ZSA11007 | 螺絲 | Screw (11/64-40x8) | 2 |
| E1288-0A | 彈簧之板 | Prop Up Plate | 1 | ZSA16011 | 螺絲 | Screw (1/4-40x7) | 2 |
| E1291-0A | 上送軸套管 | Feed Rotating Shaft Bushing | 2 | ZSB11017 | 螺絲 | Screw (11/64-40x12) | 2 |
| E1295-0A | 上送軸曲柄 | Feed Rotating Shaft Crank | 1 | ZSB11024 | 螺絲 | Screw (11/64-40x8) | 2 |
| E1298-0A | 偏心輪 | Eccentric Cam | 1 | ZSB12011 | 螺絲 | Screw (3/16-28x10) | 2 |
| E3500-0A | 上送軸組 | Feed Rotating Shaft Assy. | 1 | ZSB16004 | 螺絲 | Screw (1/4-24x16) | 1 |
| EM1286-0A | L型連桿 | Bell Crank | 1 | ZSF18001 | 螺絲 | Screw (9/32-28x31) | 1 |
| EM1297-0A | 連桿 | Connection Rod | 1 | ZSG16002 | 螺絲 | Screw (1/4-40) | 1 |
| EM1426-0A | 連桿 | Connection Rod | 1 | ZSL18002 | 螺帽 | Nut | 1 |

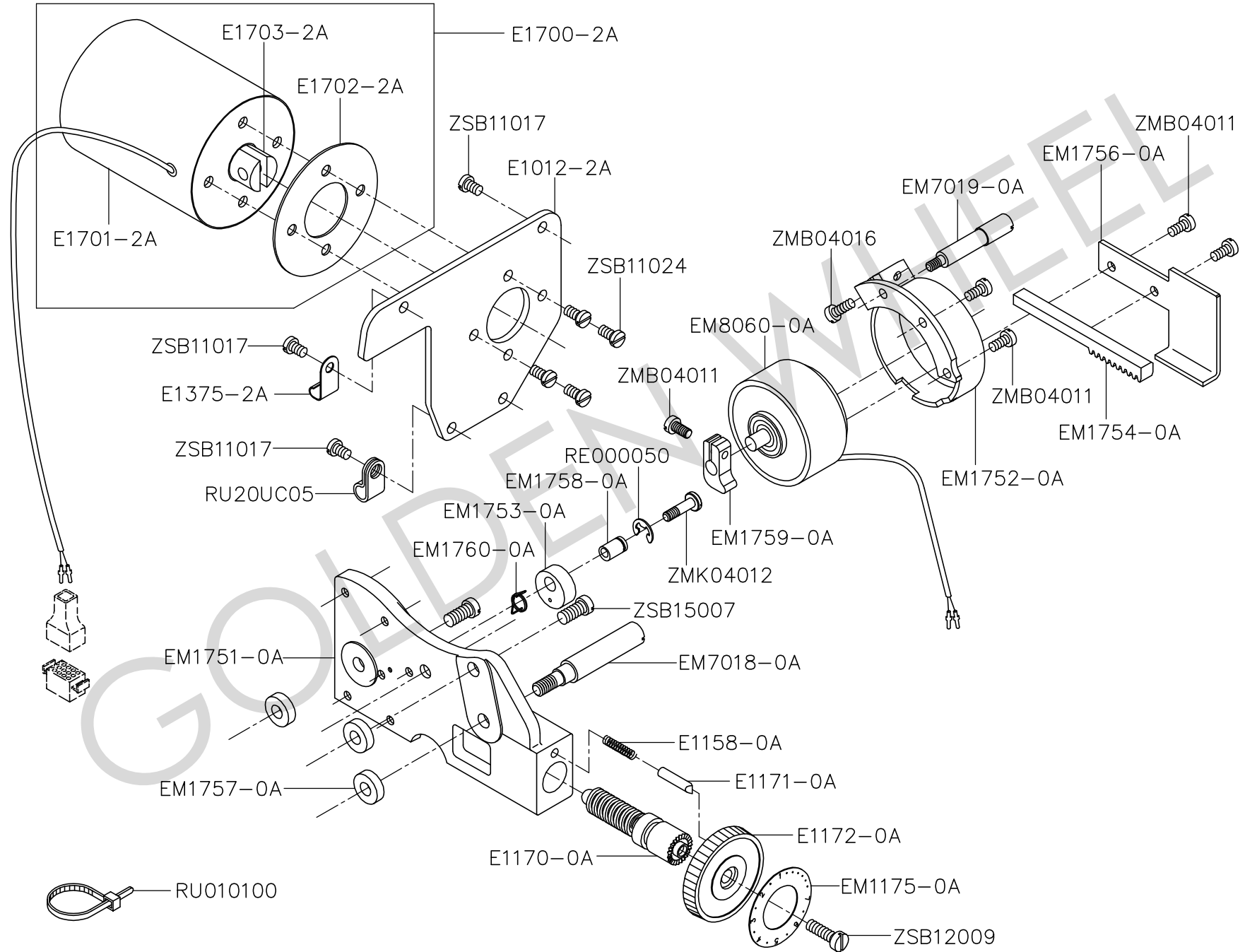
E.CS-3811 上部送料機構(二) FEED ROTATING SHAFT MECHANISM(2)



E、CS-3811 上部送料機構(二) FEED ROTATING SHAFT MECHANISM(2)

| 零件號碼 Part No | 零件名稱 | Name of Part | 件數 Q, TY | 備註 Remarks |
|-----------------|----------|--------------------------------------|-------------|---------------|
| E1287-1A | 押腳連接桿 | Walking Foot Connecting Link | 1 | |
| E1420-0A | 送料軸 | Feed Driving Shaft | 1 | |
| E1421-0A | 送料軸套管(左) | Feed Driving Shaft Bushing (Left) | 1 | |
| E1423-0A | 送料軸套管(右) | Feed Driving Shaft Bushing (Right) | 1 | |
| E1425-0A | 搖擺曲柄 | Feed Driving Rock Shaft Crank | 1 | |
| E1426-0A | 連桿 | Feed Driving Connecting Link | 1 | |
| E1430-0A | 搖擺曲柄 | Feed Driving Rock Shaft Crank | 1 | |
| E1431-0A | 押腳水平擺臂 | Feed Connecting Lever | 1 | |
| E1432-1A | 滑塊組 | Feed Connecting Slick Block Complete | 1 | |
| E1435-0A | 掛銷 | Hinged Pin | 1 | |
| E1437-0A | 送料臂 | Feed Arm | 1 | |
| E1438-0A | 押腳導板 | Walking Foot Guide Bracket | 1 | |
| E1439-0A | 墊圈 | Slide Washer | 2 | |
| EM1435-0A | 外押腳 | Walking Foot | 1 | |
| WA069002 | 平墊圈 | Washer | 1 | |
| WB031001 | 彈簧墊圈 | Spring Washer | 2 | |
| YB040025 | 定位銷 | Taper Pin | 1 | |
| ZSA11007 | 螺絲 | Screw (11/64-40x8) | 1 | |
| ZSB09017 | 螺絲 | Screw (9/64-40x8) | 1 | |
| ZSB09018 | 螺絲 | Screw (9/64-40x6.5) | 2 | |
| ZSB11017 | 螺絲 | Screw (11/64-40x12) | 2 | |
| ZSB16004 | 螺絲 | Screw (1/4-24x16) | 1 | |
| ZSG16002 | 螺絲 | Screw (1/4-40x5) | 1 | |
| ZSG16035 | 螺絲 | Screw (1/4-40x10) | 1 | |
| ZSG18003 | 螺絲 | Screw (9/32-28x7.5) | 1 | |
| ZSH15002 | 螺絲 | Screw (15/64-28x8) | 1 | |
| ZSL16003 | 螺帽 | Nut | 1 | |
| ZSL18002 | 螺帽 | Nut | 1 | |

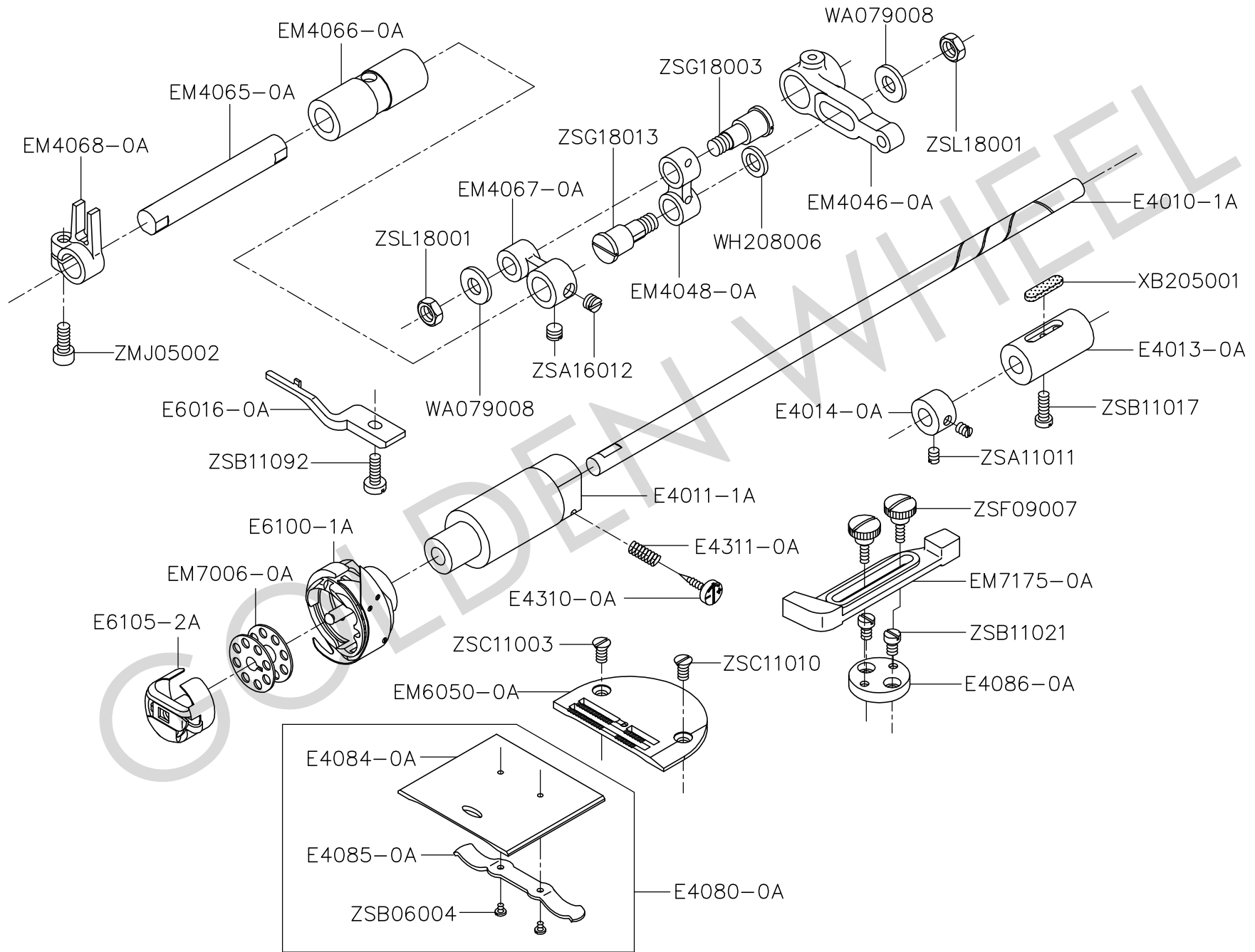
F.CS-3811 第二段縮縫調整機構 SECOND SECTION GATHERING-CHANGING MECHANISM



F、CS-3811 第二段縮縫調整機構 SECOND SECTION GATHERING-ADJUSTING MECHANISM

| 零件號碼 Part No | 零件名稱 | Name of Part | 件數 Q, TY | 備註 Remarks |
|-----------------|--------|------------------------------|-------------|---------------|
| E1012-2A | 橫蓋 | Arm Side Cover | 1 | |
| E1158-0A | 壓縮彈簧 | Spring | 1 | |
| E1170-0A | 螺桿 | Screw-Bar | 1 | |
| E1171-0A | 定位銷 | Stopper Pin | 1 | |
| E1172-0A | 刻度盤 | Stitch Length Regulator Dial | 1 | |
| E1375-2A | 電線掛架 | Cord Holder | 1 | |
| E1700-2A | 倒縫電磁閥組 | Solenoid For Touch-Back | 1 | |
| E1701-2A | 倒縫電磁閥組 | Solenoid For Touch-Back | 1 | |
| E1702-2A | 墊片 | Washer | 1 | |
| E1703-2A | 動作體 | Plunger | 1 | |
| EM1175-0A | 刻度板 | Length Control Plate | 1 | |
| EM1751-0A | 基座 | Bracket | 1 | |
| EM1752-0A | 固定座 | Hinge Stud | 1 | |
| EM1753-0A | 偏心輪 | Eccentric Cam | 1 | |
| EM1754-0A | 齒條 | Back | 1 | |
| EM1756-0A | 護片 | Protecting Plate | 1 | |
| EM1757-0A | 墊片 | Washer | 3 | |
| EM1758-0A | 偏心套環 | Regulating Eccentric | 1 | |
| EM1759-0A | 制動塊 | Regulating Block | 1 | |
| EM1760-0A | 扭力彈簧 | Spring | 3 | |
| EM7018-0A | 皮帶蓋支柱 | Stand | 1 | |
| EM7019-0A | 皮帶蓋支柱 | Stand | 1 | |
| EM8060-0A | 電磁閥 | Rotary Solenoid | 1 | |
| RE000050 | E形扣環 | E-ring | 1 | |
| RU010100 | 尼龍紮線帶 | Nylon Cable Tie | 4 | |
| RU20UC05 | 配線固定鈕 | Cable Clamp | 1 | |
| ZMB04011 | 螺絲 | Screw (M4-0.7x8) | 5 | |
| ZMB04016 | 螺絲 | Screw (M4-0.7x10) | 1 | |
| ZMK04012 | 螺絲 | Screw (M4-0.7) | 1 | |
| ZSB11017 | 螺絲 | Screw (11/64-40x12) | 4 | |
| ZSB11024 | 螺絲 | Screw (11/64-40x8) | 4 | |
| ZSB12009 | 螺絲 | Screw (3/16-28x8) | 1 | |
| ZSB15007 | 螺絲 | Screw (15/64-28x12) | 2 | |

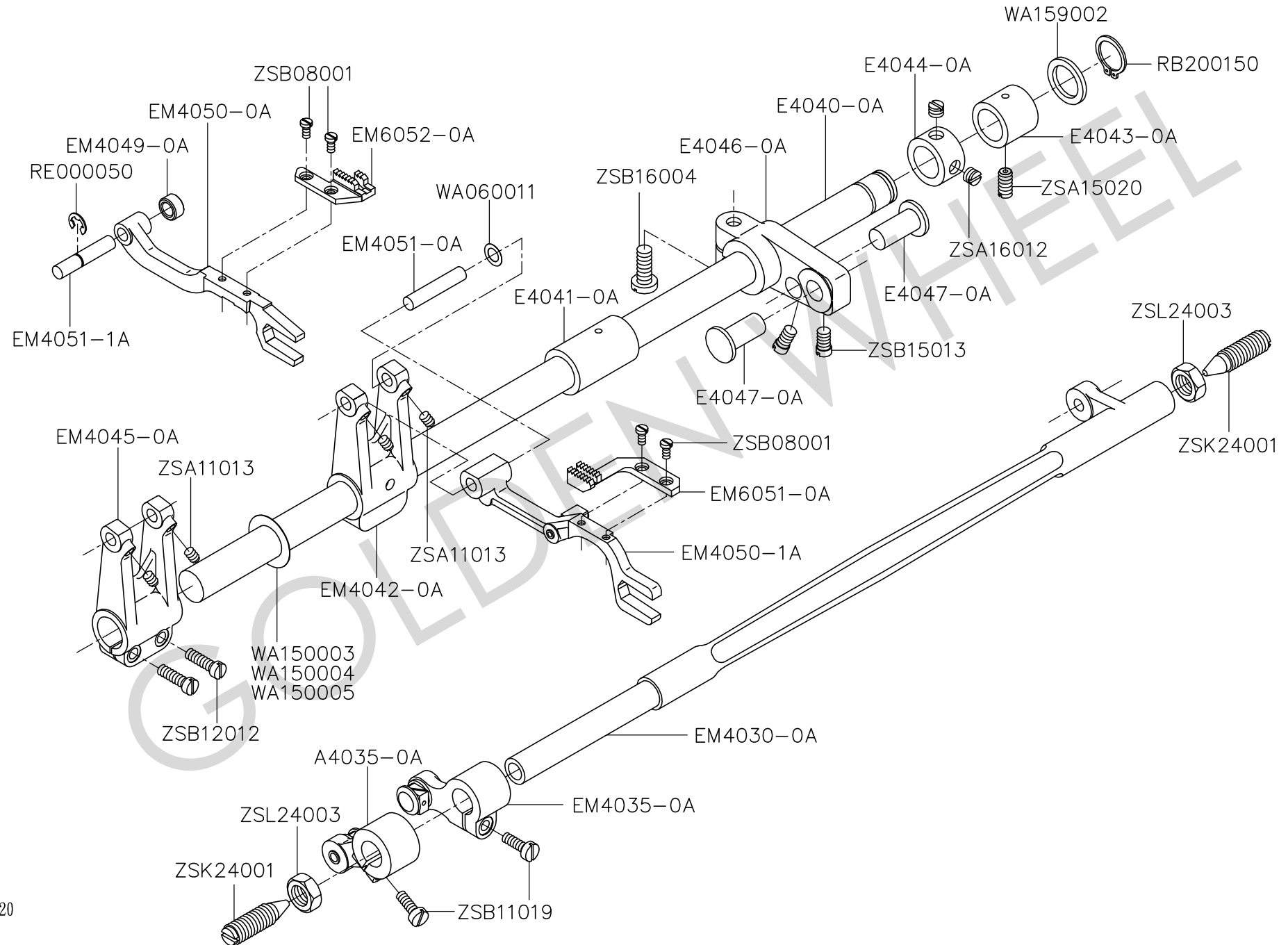
G.CS-3811 釜機構 ROTARY HOOK MECHANISM



G、CS-3811 釜機構 ROTARY HOOK MECHANISM

| 零件號碼 | 零件名稱 | Name of Part | 件數 | 零件號碼 | 零件名稱 | Name of Part | 件數 |
|-----------|---------|-----------------------------|-------|----------|------|----------------------|-------|
| Part No | | | Q, TY | Part No | | | Q, TY |
| E4010-1A | 下軸 | Lower Shaft | 1 | WA079008 | 平墊圈 | Washer | 2 |
| E4011-1A | 下軸套管(左) | Lower Shaft Bushing (Left) | 1 | WH208006 | 平墊圈 | Washer | 1 |
| E4013-0A | 下軸套管(右) | Lower Shaft Bushing (Right) | 1 | XB205001 | 油棉 | Oil Felt | 1 |
| E4014-0A | 定環 | Collar | 1 | ZMJ05002 | 螺絲 | Screw (M5-0.8x12) | 1 |
| E4080-0A | 角板組 | Slide Plate Assy. | 1 | ZSA11011 | 螺絲 | Screw (11/64-40x4.5) | 2 |
| E4084-0A | 角板 | Slide Plate | 1 | ZSA16012 | 螺絲 | Screw (1/4-40x4) | 2 |
| E4085-0A | 彈簧板 | Spring For Slide Plate | 1 | ZSB06004 | 螺絲 | Screw (3/32-56x2.2) | 2 |
| E4086-0A | 導板座 | Cloth Guide Plate | 1 | ZSB11017 | 螺絲 | Screw (11/64-40x12) | 1 |
| E4310-0A | 油量調節螺絲 | Screw (M3-0.35x9.5) | 1 | ZSB11021 | 螺絲 | Screw (11/64-40x5.5) | 2 |
| E4311-0A | 壓縮彈簧 | Spring | 1 | ZSB11092 | 螺絲 | Screw (11/64-40x15) | 1 |
| E6016-0A | 牛角 | Bobbin Case Opener | 1 | ZSC11003 | 螺絲 | Screw (11/64-40x9) | 1 |
| E6100-1A | 梭頭 | Rotary Hook Assembly | 1 | ZSC11010 | 螺絲 | Screw (11/64-40x7.8) | 1 |
| E6105-2A | 梭殼 | Bobbin Case Complete | 1 | ZSF09007 | 螺絲 | Screw (9/64-40x11) | 2 |
| EM4046-0A | 擺臂 | Rocking Arm | 1 | ZSG18003 | 螺絲 | Screw (9/32-28x7.5) | 1 |
| EM4048-0A | 連桿 | Link | 1 | ZSG18013 | 螺絲 | Screw (9/32-28x6.9) | 1 |
| EM4065-0A | 軸 | Shaft | 1 | ZSL18001 | 螺帽 | Nut | 2 |
| EM4066-0A | 軸套 | Bushing | 1 | | | | |
| EM4067-0A | 擺節 | Rocking Link | 1 | | | | |
| EM4068-0A | 導座 | Guiding Bracket | 1 | | | | |
| EM6050-0A | 針板 | Needle Plate | 1 | | | | |
| EM7006-0A | 梭仔 | Bobbin | 1 | | | | |
| EM7175-0A | 靠邊器 | Edge Guide | 1 | | | | |

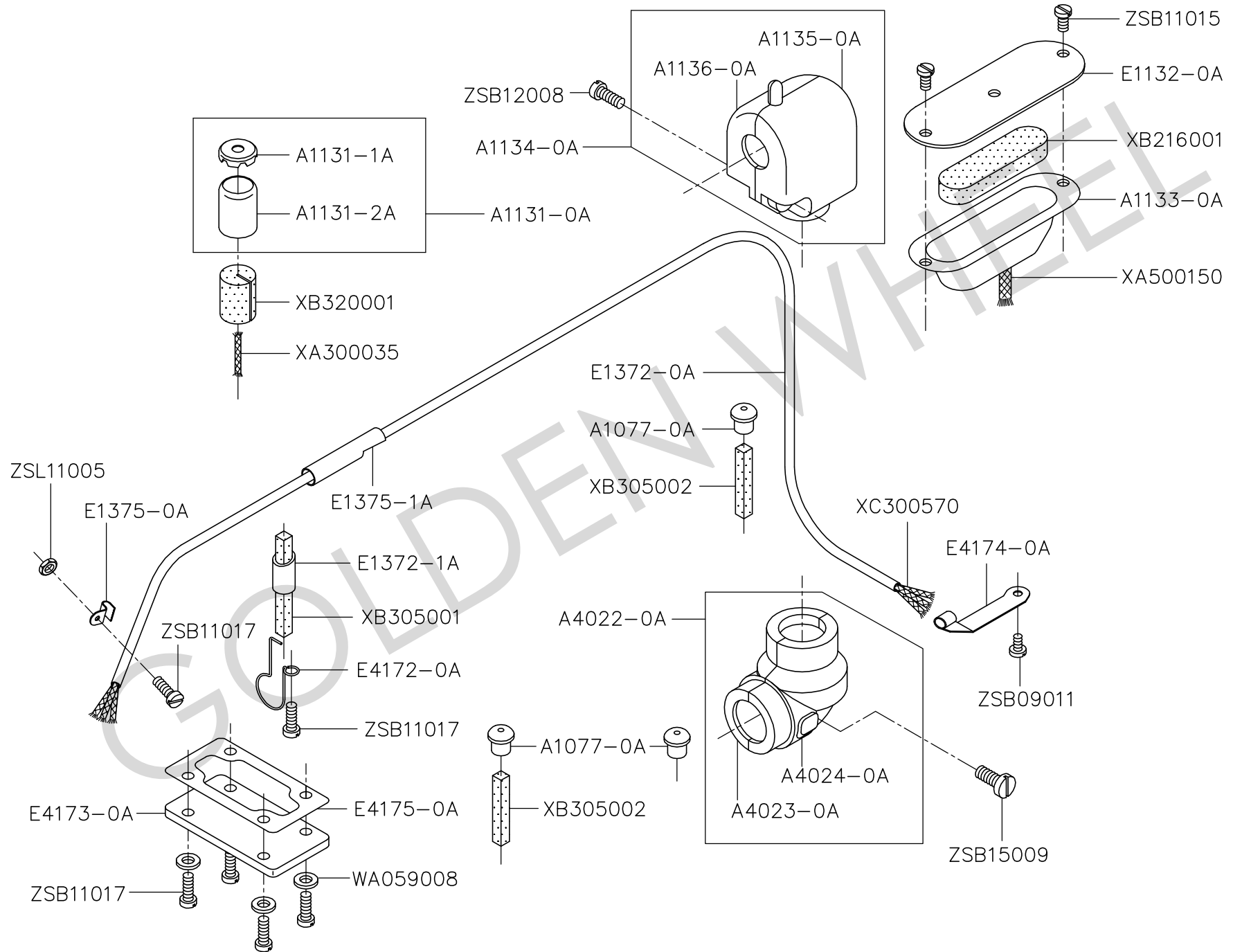
H. CS-3811 左右送料機構 ZIGZAG FEED MECHANISM



H、CS-3811 左右送料機構 ZIGZAG FEED MECHANISM

| 零件號碼 | 零件名稱 | Name of Part | 件數 | 零件號碼 | 零件名稱 | Name of Part | 件數 |
|-----------|----------|-------------------------------------|-------|----------|------|---------------------|-------|
| Part No | | | Q, TY | Part No | | | Q, TY |
| A4035-0A | 上下送料軸曲柄組 | Feed Lifting Rock Shaft Crank Assy. | 1 | RB200150 | C形扣環 | Retaining Ring | 1 |
| E4040-0A | 水平送料軸 | Feed Rock Shaft | 1 | RE000050 | E形扣環 | E-Ring | 1 |
| E4041-0A | 送料軸套管(左) | Feed Rock Shaft Bushing (Left) | 1 | WA060011 | 平墊圈 | Washer | 1 |
| E4043-0A | 送料軸套管(右) | Feed Rock Shaft Bushing (Right) | 1 | WA150003 | 平墊圈 | Washer | 1 |
| E4044-0A | 定環 | Collar | 1 | WA150004 | 平墊圈 | Washer | 1 |
| E4046-0A | 送料軸曲柄(右) | Feed Rock Shaft Crank (Right) | 1 | WA150005 | 平墊圈 | Washer | 1 |
| E4047-0A | 送料軸曲柄銷 | Feed Rock Shaft Crank Pin | 2 | WA159002 | 平墊圈 | Washer | 1 |
| EM4030-0A | 上下送料軸 | Feed Lifting Rock Shaft | 1 | ZSA11013 | 螺絲 | Screw (11/64-40x6) | 4 |
| EM4035-0A | 上下送料軸曲柄組 | Feed Lifting Rock Shaft Crank Assy. | 1 | ZSA15020 | 螺絲 | Screw (15/64-28x11) | 1 |
| EM4042-0A | 後水平送齒腕 | Feed Connection Crank (Back) | 1 | ZSA16012 | 螺絲 | Screw (1/4-40x4) | 2 |
| EM4045-0A | 後水平送齒腕 | Feed Connection Crank (Front) | 1 | ZSB08001 | 螺絲 | Screw (1/8-44x6) | 4 |
| EM4049-0A | 襯套 | Collar | 1 | ZSB11019 | 螺絲 | Screw (11/64-40x13) | 2 |
| EM4050-0A | 前送齒台 | Feed Bar (Front) | 1 | ZSB12012 | 螺絲 | Screw (3/16-28x15) | 2 |
| EM4050-1A | 後送齒台 | Feed Bar (Back) | 1 | ZSB15013 | 螺絲 | Screw (15/64-28x8) | 2 |
| EM4051-0A | 軸 | Shaft | 1 | ZSB16004 | 螺絲 | Screw (1/4-24x16) | 1 |
| EM4051-1A | 軸 | Shaft | 1 | ZSK24001 | 螺絲 | Screw (3/8-28) | 2 |
| EM6051-0A | 後送料齒板 | Feed Dog (Back) | 1 | ZSL24003 | 螺帽 | Nut | 2 |
| EM6052-0A | 前送料齒板 | Feed Dog (Front) | 1 | | | | |

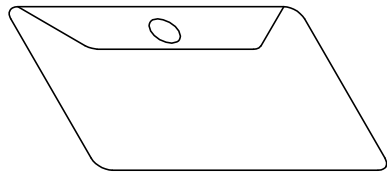
I.CS-3811 油潤滑機構 OIL LUBRICATION MECHANISM



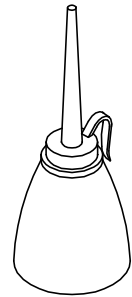
I、CS-3811 油潤滑機構 OIL LUBRICATION MECHANISM

| 零件號碼 Part No | 零件名稱 Name of Part | 件數 Q, TY | 零件號碼 Part No | 零件名稱 Name of Part | 件數 Q, TY |
|-----------------|---|-------------|-----------------|-------------------------------------|-------------|
| A1077-0A | 油蓋 ----- Needle Bar Upper Bushing Cap ----- | 3 | WA059008 | 平墊圈 ----- Washer ----- | 4 |
| A1131-0A | 油蓋組 ----- Oil Cap Assy. ----- | 1 | XA300035 | 油線 ----- Oil Wick ----- | 1 |
| A1131-1A | 上蓋 ----- Upper Oil Cap ----- | 1 | XA500150 | 油線 ----- Oil Wick ----- | 1 |
| A1131-2A | 下蓋 ----- Lower Oil Cap ----- | 1 | XB216001 | 油棉 ----- Oil Felt ----- | 1 |
| A1133-0A | 油槽 ----- Oil Tank (Right) ----- | 1 | XB305001 | 油棉 ----- Oil Felt ----- | 1 |
| A1134-0A | 上齒輪蓋組 --- Gear Box (Upper Set) ----- | 1 | XB305002 | 油棉 ----- Oil Felt ----- | 2 |
| A1135-0A | 上齒輪蓋(有牙) Gear Box (With Teeth)(Upper Set) --- | 1 | XB320001 | 油棉 ----- Oil Felt ----- | 1 |
| A1136-0A | 上齒輪蓋(無牙) Gear Box (Without Teeth)(Upper Set) | 1 | XC300570 | 毛線 ----- Wool Yarn ----- | 3 |
| A4022-0A | 下齒輪蓋組 --- Gear Box (Lower Set) ----- | 1 | ZSB09011 | 螺絲 ----- Screw (9/64-40x6.5) ----- | 1 |
| A4023-0A | 下齒輪蓋(有牙) Gear Box (With Teeth)(Lower Set) -- | 1 | ZSB11015 | 螺絲 ----- Screw (11/64-40x8.5) ----- | 2 |
| A4024-0A | 下齒輪蓋(無牙) Gear Box (Without Teeth)(Lower Set) | 1 | ZSB11017 | 螺絲 ----- Screw (11/64-40x12) ----- | 6 |
| E1132-0A | 油槽蓋 ----- Cover Plate ----- | 1 | ZSB12008 | 螺絲 ----- Screw (3/16-24x12) ----- | 1 |
| E1372-0A | 油線管 ----- Oil Tube ----- | 1 | ZSB15009 | 螺絲 ----- Screw (15/64-28x13) ----- | 1 |
| E1372-1A | 油線管 ----- Oil Tube ----- | 1 | ZSL11005 | 螺帽 ----- Nut ----- | 1 |
| E1375-0A | 油線固定片 --- Oil Pipe Holder ----- | 1 | | | |
| E1375-1A | 油線固定片 --- Oil Pipe Holder ----- | 1 | | | |
| E4172-0A | 固定油線彈簧 - Tube Holder ----- | 1 | | | |
| E4173-0A | 止油蓋 ----- Oil Pipe Supporter ----- | 1 | | | |
| E4174-0A | 油線固定片 --- Oil Pipe Holder ----- | 1 | | | |
| E4175-0A | 墊片 ----- Gasket For Oil Reservoir ----- | 1 | | | |

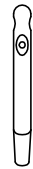
J. CS-3811 附件(一) ACCESSORIES(1)



A7000-0A



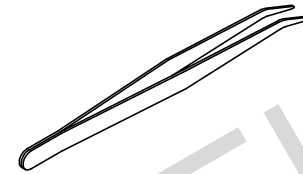
A7012-1A



E1050-0A



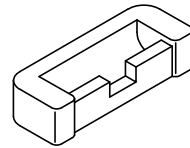
A7012-0A



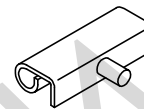
EH7014-0A



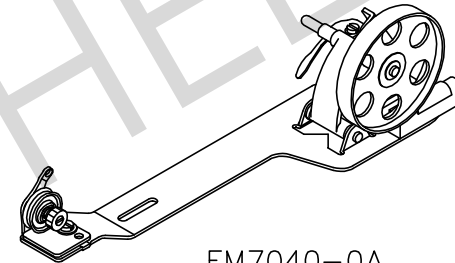
A7001-0A



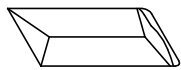
E7022-0A



E7021-0A



EM7040-0A



INDPx17#19



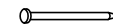
EM7006-0A



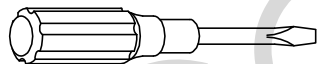
ZMT05001



WA059003



A7011-0A



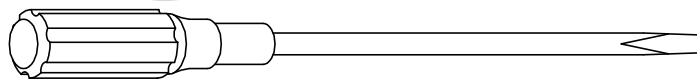
A7010-1A



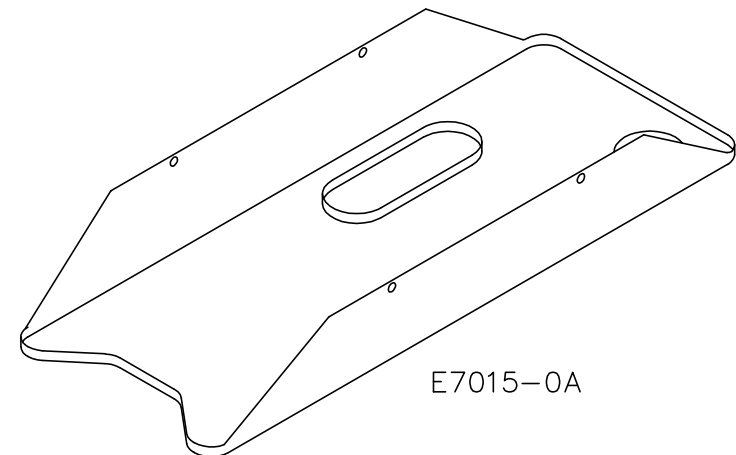
A7010-0A



A7011-1A



A7010-2A

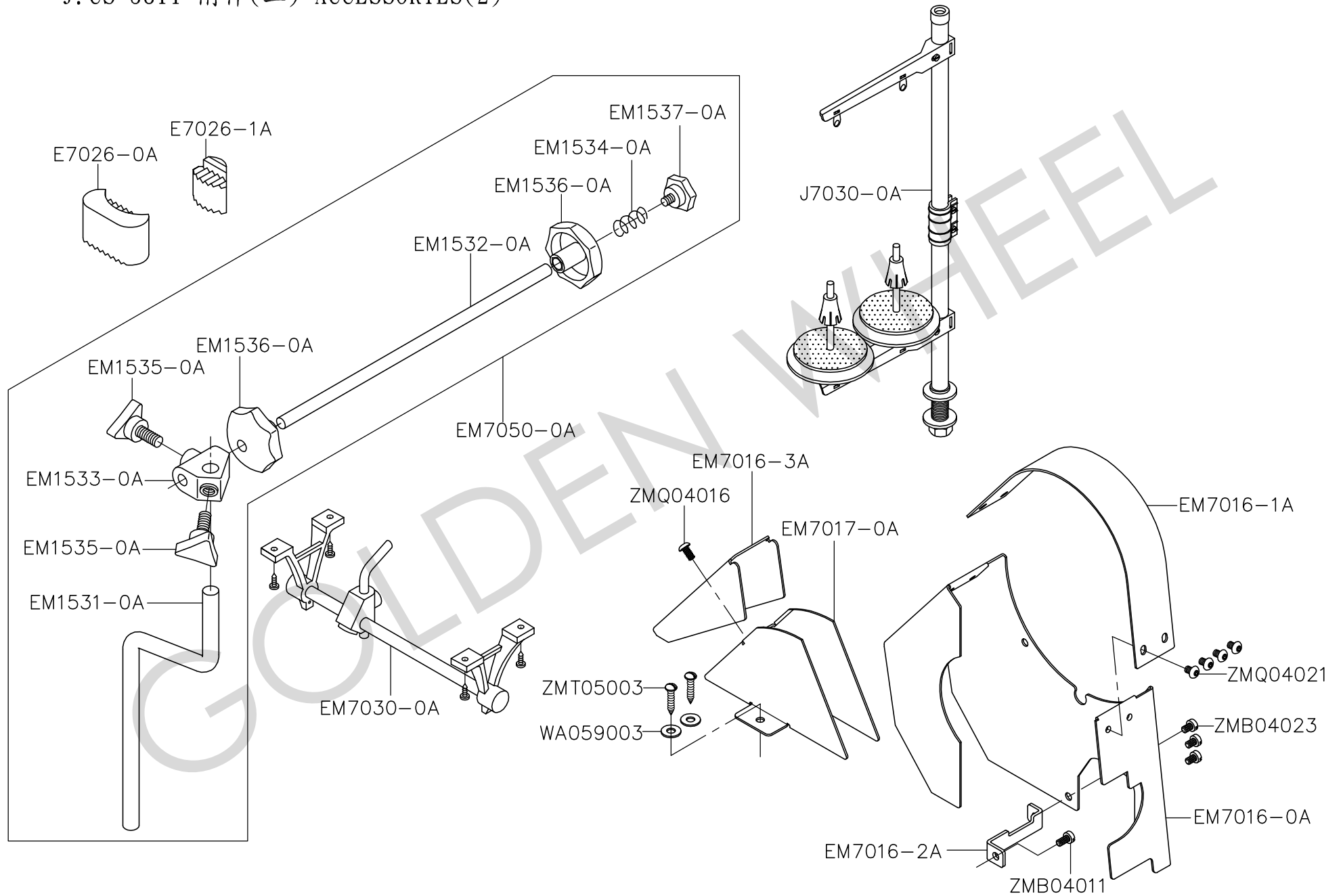


E7015-0A

J、CS-3811 附件(一) ACCESSORIES(1)

| 零件號碼 Part No | 零件名稱 | Name of Part | 件數 Q, TY | 備註 Remarks |
|-----------------|---------|-----------------------|-------------|---------------|
| A7000-0A | 工具袋 | Accessory Bag | 1 | |
| A7001-0A | 車頭蓋 | Vinyl Cover | 1 | |
| A7010-0A | 螺絲起子(小) | Screw Driver (Small) | 1 | |
| A7010-1A | 螺絲起子(中) | Screw Driver (Middle) | 1 | |
| A7010-2A | 螺絲起子(大) | Screw Driver (Large) | 1 | |
| A7011-0A | 鐵釘 | Nail | 10 | |
| A7011-1A | 鐵釘 | Nail | 4 | |
| A7012-0A | 油壺(小) | Oilier (Small) | 1 | |
| A7012-1A | 油壺(中) | Oilier (Middle) | 1 | |
| E1050-0A | 線柱 | Spool Pin | 1 | |
| E7015-0A | 下油槽 | Oil Pan | 1 | |
| E7021-0A | 後鈕鉤 | Head Hinge | 2 | |
| E7022-0A | 後鈕座 | Rubber Hinge | 2 | |
| EH7014-0A | 鉗子 | Tweezers | 1 | |
| EM7006-0A | 梭子 | Bobbin | 4 | |
| EM7040-0A | 捲線器組 | Bobbin Winder | 1 | |
| INDPx17#19 | 針 | Needle | 4 | |
| WA059003 | 平墊圈 | Washer | 2 | |
| ZMT05001 | 螺絲 | Screw (4.5x20) | 2 | |

J. CS-3811 附件(二) ACCESSORIES(2)



J、CS-3811 附件(二) ACCESSORIES(2)

| 零件號碼 Part No | 零件名稱 | Name of Part | 件數 Q, TY | 備註 Remarks |
|-----------------|--------|--------------------|-------------|---------------|
| E7026-0A | 橡膠墊 | Head Cushion | 2 | |
| E7026-1A | 橡膠墊座 | Head Cushion | 2 | |
| EM1531-0A | 桿 | Lever | 1 | |
| EM1532-0A | 軸 | Shaft | 1 | |
| EM1533-0A | 固定座 | Hinge Stud | 1 | |
| EM1534-0A | 彈簧 | Spring | 1 | |
| EM1535-0A | 把手螺栓 | Stud Screw | 2 | |
| EM1536-0A | 把手 | Knob | 2 | |
| EM1537-0A | 把手螺栓 | Stud Screw | 1 | |
| EM7016-0A | 皮帶蓋 | Belt Cover | 1 | |
| EM7016-1A | 皮帶蓋(上) | Belt Cover (Upper) | 1 | |
| EM7016-2A | 皮帶蓋支架 | Belt Cover Stand | 1 | |
| EM7016-3A | 活動蓋板 | Cover | 1 | |
| EM7017-0A | 皮帶蓋(後) | Belt Cover (Back) | 1 | |
| EM7030-0A | 腳弓組 | Knee Lifter Assy. | 1 | |
| EM7050-0A | 線架 | Thread Stand | 1 | |
| J7030-0A | 線架 | Thread Stand | 1 | |
| WA059003 | 墊片 | Washer | 2 | |
| ZMB04011 | 螺絲 | Screw (M4-0.7x8) | 1 | |
| ZMB04023 | 螺絲 | Screw (M4-0.7x6) | 3 | |
| ZMQ04016 | 螺絲 | Screw (M4-0.7x8) | 1 | |
| ZMQ04021 | 螺絲 | Screw (M4-0.7x6) | 4 | |
| ZMT05003 | 木螺絲 | Wood Screw | 2 | |

K、CS-3811 零件號碼與頁數對照 NUMERICAL PARTS-LIST

| 零件號碼 PARTS NO. | 頁數 PAGE | 零件號碼 PARTS NO. | 頁數 PAGE | 零件號碼 PARTS NO. | 頁數 PAGE | 零件號碼 PARTS NO. | 頁數 PAGE | 零件號碼 PARTS NO. | 頁數 PAGE |
|-------------------|------------|-------------------|------------|-------------------|------------|-------------------|------------|-------------------|------------|
| A1013-1A | 2 | A4022-0A | 22 | E1065-1A | 4 | E1185-0A | 10 | E1431-0A | 14 |
| A1022-0A | 2 | A4023-0A | 22 | E1066-0A | 4 | E1191-0A | 10 | E1432-1A | 14 |
| A1025-0A | 2 | A4024-0A | 22 | E1067-0A | 4 | E1192-0A | 10 | E1435-0A | 14 |
| A1042-0A | 2 | A4035-0A | 20 | E1070-0A | 4 | E1193-0A | 10 | E1437-0A | 14 |
| A1051-0A | 2 | A7000-0A | 24 | E1073-0A | 4 | E1194-0A | 10 | E1438-0A | 14 |
| A1071-0A | 4 | A7001-0A | 24 | E1074-0A | 4 | E1207-0A | 10 | E1439-0A | 14 |
| A1076-0A | 4 | A7010-0A | 24 | E1078-0A | 4 | E1208-0A | 10 | E1700-2A | 16 |
| A1077-0A | 4, 22 | A7010-1A | 24 | E1081-0A | 4 | E1279-0A | 12 | E1701-2A | 16 |
| A1082-0A | 4 | A7010-2A | 24 | E1100-0A | 4 | E1280-0A | 12 | E1702-2A | 16 |
| A1103-0A | 6 | A7011-0A | 24 | E1101-0A | 4 | E1281-0A | 12 | E1703-2A | 16 |
| A1104-0A | 4 | A7011-1A | 24 | E1106-0A | 4 | E1282-0A | 12 | E3500-0A | 12 |
| A1105-0A | 6 | A7012-0A | 24 | E1110-0A | 6 | E1283-0A | 12 | E4010-1A | 18 |
| A1108-0A | 6 | A7012-1A | 24 | E1115-0A | 6 | E1284-0A | 12 | E4011-1A | 18 |
| A1109-0A | 6 | BWPHS6 | 12 | E1116-0A | 6 | E1285-0A | 12 | E4013-0A | 18 |
| A1112-0A | 6 | BWPHS6L | 12 | E1121-0A | 6 | E1287-0A | 12 | E4014-0A | 18 |
| A1113-0A | 6 | E1012-2A | 16 | E1122-0A | 6 | E1287-1A | 14 | E4040-0A | 20 |
| A1117-0A | 6 | E1020-0A | 2 | E1132-0A | 22 | E1288-0A | 12 | E4041-0A | 20 |
| A1130-0A | 6, 12 | E1021-0A | 2 | E1154-0A | 8 | E1291-0A | 12 | E4043-0A | 20 |
| A1131-0A | 22 | E1026-0A | 2 | E1155-0A | 8 | E1295-0A | 12 | E4044-0A | 20 |
| A1131-1A | 22 | E1027-0A | 2 | E1155-2A | 8 | E1298-0A | 12 | E4046-0A | 20 |
| A1131-2A | 22 | E1028-0A | 2 | E1156-0A | 8 | E1372-0A | 22 | E4047-0A | 20 |
| A1133-0A | 22 | E1029-0A | 2 | E1156-2A | 8 | E1372-1A | 22 | E4080-0A | 18 |
| A1134-0A | 22 | E1044-0A | 10 | E1157-0A | 8 | E1375-0A | 22 | E4084-0A | 18 |
| A1135-0A | 22 | E1050-0A | 24 | E1158-0A | 8, 16 | E1375-1A | 22 | E4085-0A | 18 |
| A1136-0A | 22 | E1052-0A | 2 | E1159-2A | 8 | E1375-2A | 16 | E4086-0A | 18 |
| A1162-1A | 8 | E1053-0A | 2 | E1166-2A | 8 | E1420-0A | 14 | E4115-2A | 8 |
| A1184-0A | 10 | E1054-0A | 10 | E1170-0A | 8, 16 | E1421-0A | 14 | E4172-0A | 22 |
| A1200-0A | 10 | E1060-1A | 4 | E1171-0A | 8, 16 | E1423-0A | 14 | E4173-0A | 22 |
| A1201-0A | 10 | E1061-0A | 4 | E1172-0A | 8, 16 | E1425-0A | 14 | E4174-0A | 22 |
| A4020-0A | 6 | E1063-0A | 2 | E1180-0A | 10 | E1426-0A | 14 | E4175-0A | 22 |
| A4021-0A | 6 | E1064-0A | 4 | E1183-0A | 10 | E1430-0A | 14 | E4310-0A | 18 |

K、CS-3811 零件號碼與頁數對照 NUMERICAL PARTS-LIST

| 零件號碼 PARTS NO. | 頁數 PAGE | 零件號碼 PARTS NO. | 頁數 PAGE | 零件號碼 PARTS NO. | 頁數 PAGE | 零件號碼 PARTS NO. | 頁數 PAGE | 零件號碼 PARTS NO. | 頁數 PAGE |
|-------------------|------------|-------------------|------------|-------------------|------------|-------------------|------------|-------------------|------------|
| E4311-0A | 18 | EM1532-0A | 26 | EM6050-0A | 18 | WA060011 | 20 | ZMB04016 | 16 |
| E4414-2A | 8 | EM1533-0A | 26 | EM6051-0A | 20 | WA069001 | 12 | ZMB04023 | 26 |
| E6016-0A | 18 | EM1534-0A | 26 | EM6052-0A | 20 | WA069002 | 14 | ZMG05012 | 12 |
| E6100-1A | 18 | EM1535-0A | 26 | EM6111-0A | 10 | WA079008 | 18 | ZMG06003 | 12 |
| E6105-2A | 18 | EM1536-0A | 26 | EM7006-0A | 18, 24 | WA150003 | 20 | ZMJ05002 | 18 |
| E7015-0A | 24 | EM1537-0A | 26 | EM7016-0A | 26 | WA150004 | 20 | ZMK04012 | 16 |
| E7021-0A | 24 | EM1751-0A | 16 | EM7016-1A | 26 | WA150005 | 20 | ZML05002 | 12 |
| E7022-0A | 24 | EM1752-0A | 16 | EM7016-2A | 26 | WA159002 | 20 | ZML06001 | 12 |
| E7026-0A | 26 | EM1753-0A | 16 | EM7016-3A | 26 | WB031001 | 14 | ZML06002 | 12 |
| E7026-1A | 26 | EM1754-0A | 16 | EM7017-0A | 26 | WB041002 | 2 | ZML06003 | 12 |
| EH1021-0A | 2 | EM1755-0A | 8 | EM7018-0A | 16 | WH208006 | 18 | ZMQ04016 | 26 |
| EH1025-0A | 2 | EM1756-0A | 16 | EM7019-0A | 16 | XA300035 | 22 | ZMQ04021 | 26 |
| EH1030-0A | 2 | EM1757-0A | 16 | EM7030-0A | 26 | XA500150 | 22 | ZMT05001 | 24 |
| EH1042-0A | 2 | EM1758-0A | 16 | EM7040-0A | 24 | XB108002 | 4 | ZMT05003 | 26 |
| EH7014-0A | 24 | EM1759-0A | 16 | EM7050-0A | 26 | XB123001 | 2 | ZSA11007 | 10, 12, 14 |
| EM1010-0A | 2 | EM1760-0A | 16 | EM7175-0A | 18 | XB205001 | 6, 18 | ZSA11008 | 2 |
| EM1020-0A | 2 | EM4030-0A | 20 | EM8060-0A | 16 | XB206003 | 12 | ZSA11009 | 4, 10 |
| EM1026-0A | 2 | EM4035-0A | 20 | EM8120-0A | 2 | XB207001 | 6 | ZSA11011 | 18 |
| EM1038-0A | 2 | EM4042-0A | 20 | INDPx17#19 | 4, 24 | XB207002 | 6 | ZSA11013 | 20 |
| EM1038-2A | 2 | EM4045-0A | 20 | J7030-0A | 26 | XB210001 | 4, 6 | ZSA15017 | 6, 10 |
| EM1150-0A | 8 | EM4046-0A | 18 | OP00100A | 8 | XB216001 | 22 | ZSA15018 | 4 |
| EM1161-0A | 8 | EM4048-0A | 18 | RB200150 | 20 | XB305001 | 22 | ZSA15020 | 4, 6, 20 |
| EM1175-0A | 16 | EM4049-0A | 20 | RB200200 | 6 | XB305002 | 22 | ZSA15021 | 4 |
| EM1195-0A | 10 | EM4050-0A | 20 | RB200250 | 12 | XB320001 | 22 | ZSA15022 | 2 |
| EM1231-0A | 10 | EM4050-1A | 20 | RE000040 | 8 | XC300570 | 22 | ZSA16010 | 4 |
| EM1286-0A | 12 | EM4051-0A | 20 | RE000050 | 16, 20 | YB040025 | 14 | ZSA16011 | 4, 6, 12 |
| EM1297-0A | 12 | EM4051-1A | 20 | RU010100 | 16 | YD030012 | 10, 12 | ZSA16012 | 18, 20 |
| EM1426-0A | 12 | EM4065-0A | 18 | RU20UC05 | 16 | ZMA04002 | 8 | ZSA16013 | 6 |
| EM1435-0A | 14 | EM4066-0A | 18 | WA059003 | 24 | ZMB04002 | 2 | ZSA16042 | 6 |
| EM1530-0A | 2 | EM4067-0A | 18 | WA059003 | 26 | ZMB04011 | 2, 16 | ZSB06004 | 18 |
| EM1531-0A | 26 | EM4068-0A | 18 | WA059008 | 22 | ZMB04011 | 26 | ZSB08001 | 20 |

K、CS-3811 零件號碼與頁數對照 NUMERICAL PARTS-LIST

| 零件號碼 PARTS NO. | 頁數 PAGE | 零件號碼 PARTS NO. | 頁數 PAGE | 零件號碼 PARTS NO. | 頁數 PAGE | 零件號碼 PARTS NO. | 頁數 PAGE | 零件號碼 PARTS NO. | 頁數 PAGE |
|-------------------|-----------------------|-------------------|------------|-------------------|------------|-------------------|------------|-------------------|------------|
| ZSB08010 | 4 | ZSC11010 | 18 | | | | | | |
| ZSB09011 | 22 | ZSD15003 | 8 | | | | | | |
| ZSB09013 | 2 | ZSD20007 | 2 | | | | | | |
| ZSB09016 | 2 | ZSF09007 | 18 | | | | | | |
| ZSB09017 | 10, 14 | ZSF18001 | 12 | | | | | | |
| ZSB09018 | 14 | ZSF32001 | 10 | | | | | | |
| ZSB09019 | 4 | ZSG12009 | 10 | | | | | | |
| ZSB11015 | 22 | ZSG15003 | 10 | | | | | | |
| ZSB11017 | 10 | ZSG16002 | 12, 14 | | | | | | |
| ZSB11017 | 12, 14, 16, 18, 22 | ZSG16035 | 14 | | | | | | |
| ZSB11019 | 20 | ZSG18003 | 14, 18 | | | | | | |
| ZSB11021 | 2, 18 | ZSG18013 | 18 | | | | | | |
| ZSB11022 | 10 | ZSG20003 | 10 | | | | | | |
| ZSB11023 | 2 | ZSH15002 | 4, 14 | | | | | | |
| ZSB11024 | 4, 8, 12, 16 | ZSK09001 | 4 | | | | | | |
| ZSB11035 | 10 | ZSK18002 | 6 | | | | | | |
| ZSB11092 | 18 | ZSK24001 | 20 | | | | | | |
| ZSB12008 | 22 | ZSL11005 | 22 | | | | | | |
| ZSB12009 | 8, 16 | ZSL12002 | 10 | | | | | | |
| ZSB12011 | 12 | ZSL16003 | 14 | | | | | | |
| ZSB12012 | 20 | ZSL18001 | 18 | | | | | | |
| ZSB12014 | 8 | ZSL18002 | 6, 12, 14 | | | | | | |
| ZSB15007 | 8, 16 | ZSL24003 | 20 | | | | | | |
| ZSB15009 | 22 | ZSN16001 | 2 | | | | | | |
| ZSB15013 | 8, 20 | ZSN32001 | 10 | | | | | | |
| ZSB15026 | 6 | ZSQ06001 | 10 | | | | | | |
| ZSB16004 | 12 | ZSR16002 | 2 | | | | | | |
| ZSB16004 | 14, 20 | | | | | | | | |
| ZSB18001 | 4 | | | | | | | | |
| ZSC11003 | 18 | | | | | | | | |