

金輪牌工業用縫紉機

GOLDEN WHEEL INDUSTRIAL SEWING MACHINE

零件分解圖

PARTS BOOK

MODEL CS-8242、8243
CS-8244S、8244L

啟翔股份有限公司
CHEE SIANG INDUSTRIAL CO., LTD.

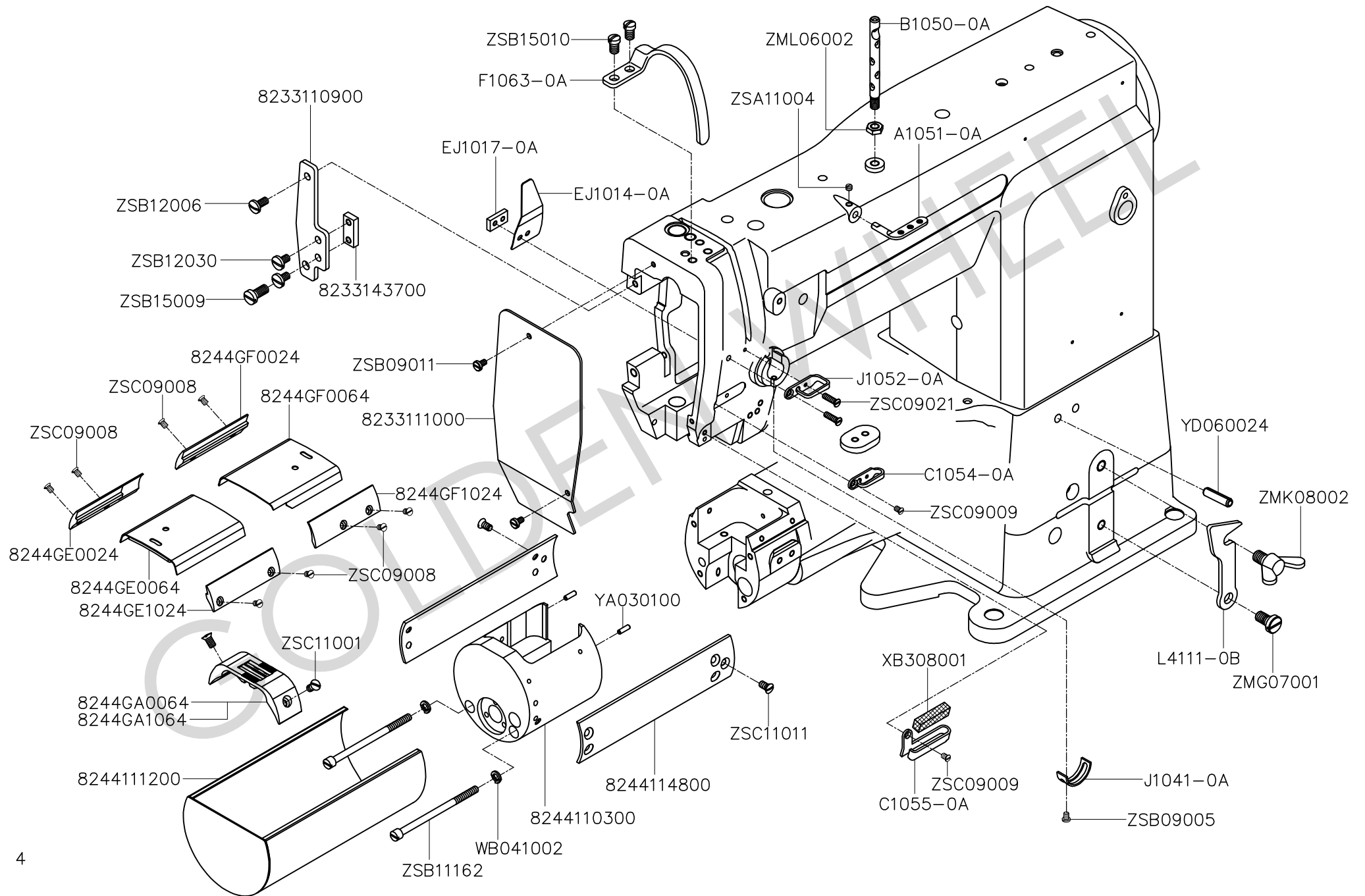
MODEL : CS-8242、8243 CS-8244S、8244L

索 引	INDEX	PAGE
A、本體關係 -----	FRAME & MISCELLANEOUS COVER COMPONENTS -----	2-7
B、上軸關係 -----	MAIN SHAFT COMPONENTS -----	8-9
C、針棒、天秤關係 -----	NEEDLE BAR & THREAD TAKE-UP LEVER COMPONENTS -----	10-11
D、針棒搖擺關係 -----	NEEDLE BAR ROCKING MOTION MECHANISM COMPONENTS -----	12-13
E、上部送料關係 -----	UPPER FEED MECHANISM COMPONENTS -----	14-15
F、押腳、腳弓關係 -----	PRESSER BAR & KNEE LIFTER COMPONENTS -----	16-19
G、下部送料關係 -----	LOWER FEED MECHANISM COMPONENTS -----	20-23
H、縫目調整關係 -----	FEED ADJUSTMENT MECHANISM COMPONENTS -----	24-25
I、下軸關係 -----	LOWER SHAFT MECHANISM COMPONENTS -----	26-27
J、右釜軸台關係 -----	RIGHT HOOK SADDLE MECHANISM COMPONENTS -----	28-29
K、左釜軸台關係 -----	LEFT HOOK SADDLE MECHANISM COMPONENTS -----	30-31
L、縫線壓力調節關係 -----	UPPER THREAD TENSION REGULATOR MECHANISM COMPONENTS -----	32-35
M、油潤滑關係 -----	OIL LUBRICATION MECHANISM COMPONENTS -----	36-37
N、附件關係 -----	ACCESSORIES -----	38-41
O、零件號碼與頁數對照 --	NUMERICAL PARTS-LIST -----	42-44
P、針位組詳表 -----	GAUGE PARTS LIST -----	45

A、CS-8242、8243 本體關係(1/3) FRAME & MISCELLANEOUS COVER COMPONENTS (1/3)

零件號碼 Part No	零件名稱	Name of Part	件數 Q, TY		零件號碼 Part No	零件名稱	Name of Part	件數 Q, TY	
			8242	8243				8242	8243
8220111300	針板	Throat Plate	1	0	XB308001	油棉	Felt	1	1
8230110600	底座頭蓋	Bed Cylinder	1	1	YD060024	油導管	Oil Pipe	1	1
8230111200	下齒輪蓋	Gear Cover	1	1	ZMG07001	螺絲	Hinge Screw	1	1
8230111300	針板	Throat Plate	0	1	ZMK08002	螺絲	Screw(M8x1.25)	1	1
8230111600	滑座	Slide Plate	(1)	(1)	ZML06002	螺帽	Nut	1	1
8230111604	角板(套)	Slide Plate Asm.	1	1	ZSA11004	螺絲	Screw(11/64-40x3.5)	1	1
823011160A	固定板	Reinforce Plate	(1)	(1)	ZSB09005	螺絲	Screw(9/64-40x5)	1	1
8230115100	滑座導板(後)	Slide Guide Plate (Rear)	1	1	ZSB09011	螺絲	Screw(9/64-40x6.5)	4	4
8230115200	滑座導板(前)	Slide Guide Plate (Front)	1	1	ZSB11057	螺絲	Screw(11/64-40x26)	2	2
8233110900	定位座	Vibrating Presser Bar Guide	1	1	ZSB11062	螺絲	Screw(11/64-40x33)	2	2
8233111000	面板	Face Plate	1	1	ZSB12006	螺絲	Screw(3/16-28x10)	1	1
8233143700	定位板	Bell Crank Guide	1	1	ZSB12030	螺絲	Screw(3/16-32x8)	2	2
A1051-0A	三孔線掛	Thread Guide	1	1	ZSB15009	螺絲	Screw(15/64-28x13)	1	1
B1050-0A	線柱	Thread Guide	1	1	ZSB15010	螺絲	Screw(15/64-28x10)	2	2
C1052-0A	線掛(上)	Thread Guide (Upper)	1	1	ZSC09008	螺絲	Screw(9/64-40x5)	4	4
C1054-0A	線掛(中)	Thread Guide (Center)	1	1	ZSC09009	螺絲	Screw(9/64-40x5.6)	2	2
C1055-0A	線掛(下)	Thread Guide (Lower)	1	1	ZSC09021	螺絲	Screw(9/64-40x13)	2	2
EJ1014-0A	油防蓋	Oil Guard Plate	1	1					
EJ1017-0A	螺帽蓋	Sparses	1	1					
F1063-0A	天秤蓋	Thread Take-up Lever Cover	1	1					
J1041-0A	線軸彈簧調整	Stopper	1	1					
L4111-0B	底座銷勾	Latch	1	1					

A. CS-8242S、8243L 本體關係 (2/3) FRAME & MISCELLANEOUS COVER COMPONENTS (2/3)

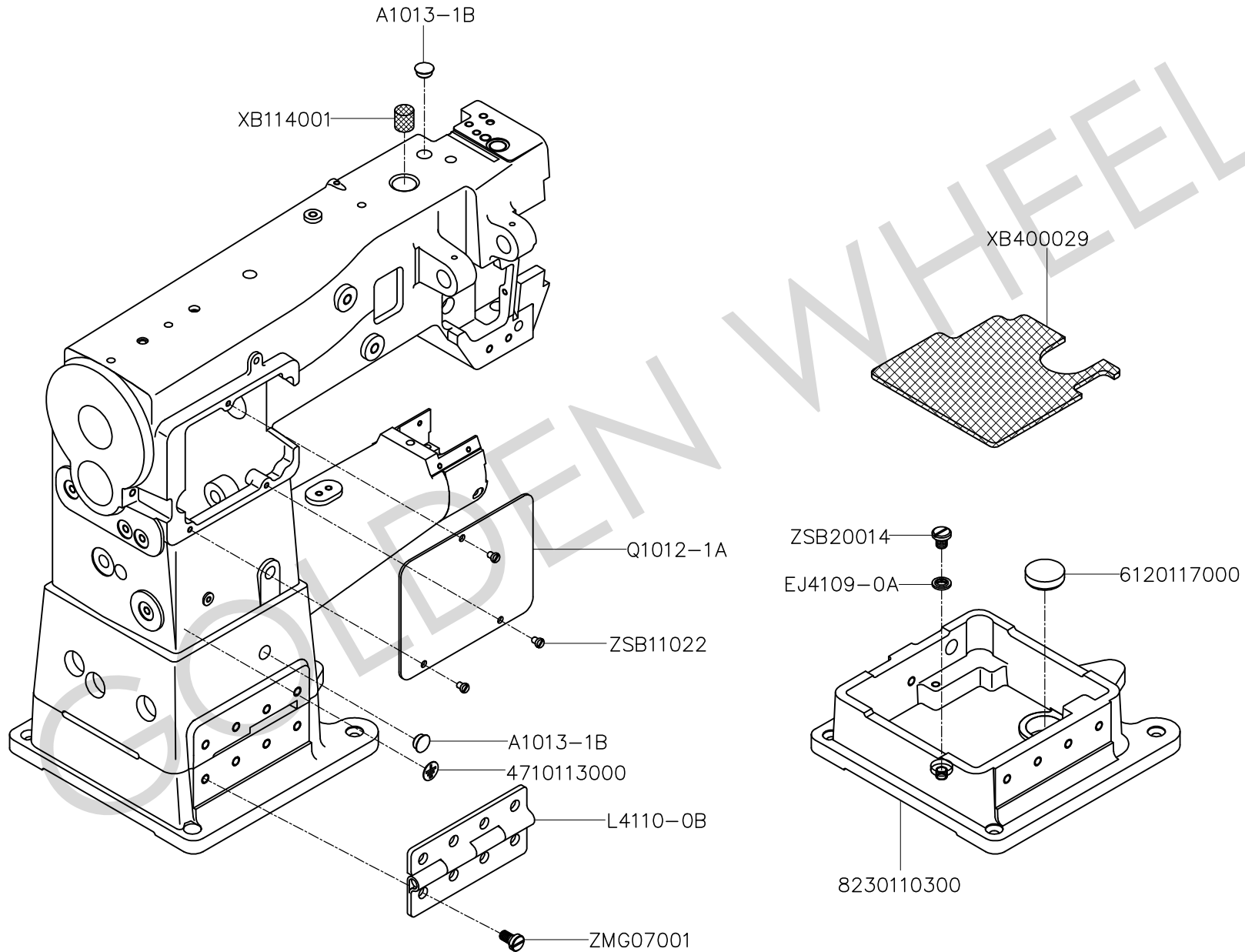


A、CS-8244S、8244L 本體關係(2/3) FRAME & MISCELLANEOUS COVER COMPONENTS (2/3)

零件號碼 Part No	零件名稱	Name of Part	件數 Q, TY		零件號碼 Part No	零件名稱	Name of Part	件數 Q, TY	
			8244S	8244L				8244S	8244L
8233110900	定位座 -----	Vibrating Presser Bar Guide	1	1	WB041002	彈簧墊圈 ----	Spring Washer -----	2	2
8233111000	面板 -----	Face Plate -----	1	1	XB308001	油棉 -----	Felt -----	1	1
8233143700	定位板 -----	Bell Crank Guide -----	1	1	YA030100	固定銷 -----	Pin -----	2	2
8244110300	底座左接頭 --	Bed Cyrinder Cap -----	1	1	YD060024	油導管 -----	Oil Pipe -----	1	1
8244111200	防塵蓋組 ----	Cover Asm. -----	1	1	ZMG07001	螺絲 -----	Hinge Screw -----	1	1
8244114800	蓋板 -----	Cover -----	2	2	ZMK08002	螺絲 -----	Screw(M8x1.25) -----	1	1
8244GA0064	針板 -----	Throat Plate -----	0	1	ZML06002	螺帽 -----	Nut -----	1	1
8244GA1064	針板 -----	Throat Plate -----	1	0	ZSA11004	螺絲 -----	Screw(11/64-40x3.5) ----	1	1
8244GE0024	滑座導板(前)	Slide Guide Plate (Front) --	1	1	ZSB09005	螺絲 -----	Screw(9/64-40x5) -----	1	1
8244GE0064	保護蓋組(左)	Cover Asm. (Left) -----	1	1	ZSB09011	螺絲 -----	Screw(9/64-40x6.5) -----	2	2
8244GE1024	滑座導板(前)	Slide Guide Plate (Front) --	1	1	ZSB11162	螺絲 -----	Screw(11/64-40x73) -----	2	2
8244GF0024	滑座導板(後)	Slide Guide Plate (Rear) ---	1	1	ZSB12006	螺絲 -----	Screw(3/16-28x10) -----	1	1
8244GF0064	保護蓋組(右)	Cover Asm. (Right) -----	1	1	ZSB12030	螺絲 -----	Screw(3/16-32x8) -----	2	2
8244GF1024	滑座導板(後)	Slide Guide Plate (Rear) ---	1	1	ZSB15009	螺絲 -----	Screw(15/64-28x13) -----	1	1
A1051-0A	三孔線掛 ----	Thread Guide -----	1	1	ZSB15010	螺絲 -----	Screw(15/64-28x10) -----	2	2
B1050-0A	線柱 -----	Thread Guide -----	1	1	ZSC09008	螺絲 -----	Screw(9/64-40x5) -----	8	8
C1054-0A	線掛(中) ----	Thread Guide (Center) -----	1	1	ZSC09009	螺絲 -----	Screw(9/64-40x5.6) -----	2	2
C1055-0A	線掛(下) ----	Thread Guide (Lower) -----	1	1	ZSC09021	螺絲 -----	Screw(9/64-40x13) -----	2	2
EJ1014-0A	油防蓋 -----	Oil Guard Plate -----	1	1	ZSC11001	螺絲 -----	Screw(11/64-40x6.5) ----	12	12
EJ1017-0A	螺帽蓋 -----	Sparses -----	1	1					
F1063-0A	天秤蓋 -----	Thread Take-up Lever Cover -	1	1					
J1041-0A	線軸彈簧調整	Stopper -----	1	1					
J1052-0A	線掛(上) ----	Thread Guide (Upper) -----	1	1					
L4111-0B	底座銷勾 ----	Latch -----	1	1					

A. CS-8242、8243
8244S、8244L

本體關係 (3/3) FRAME & MISCELLANEOUS COVER COMPONENTS (3/3)



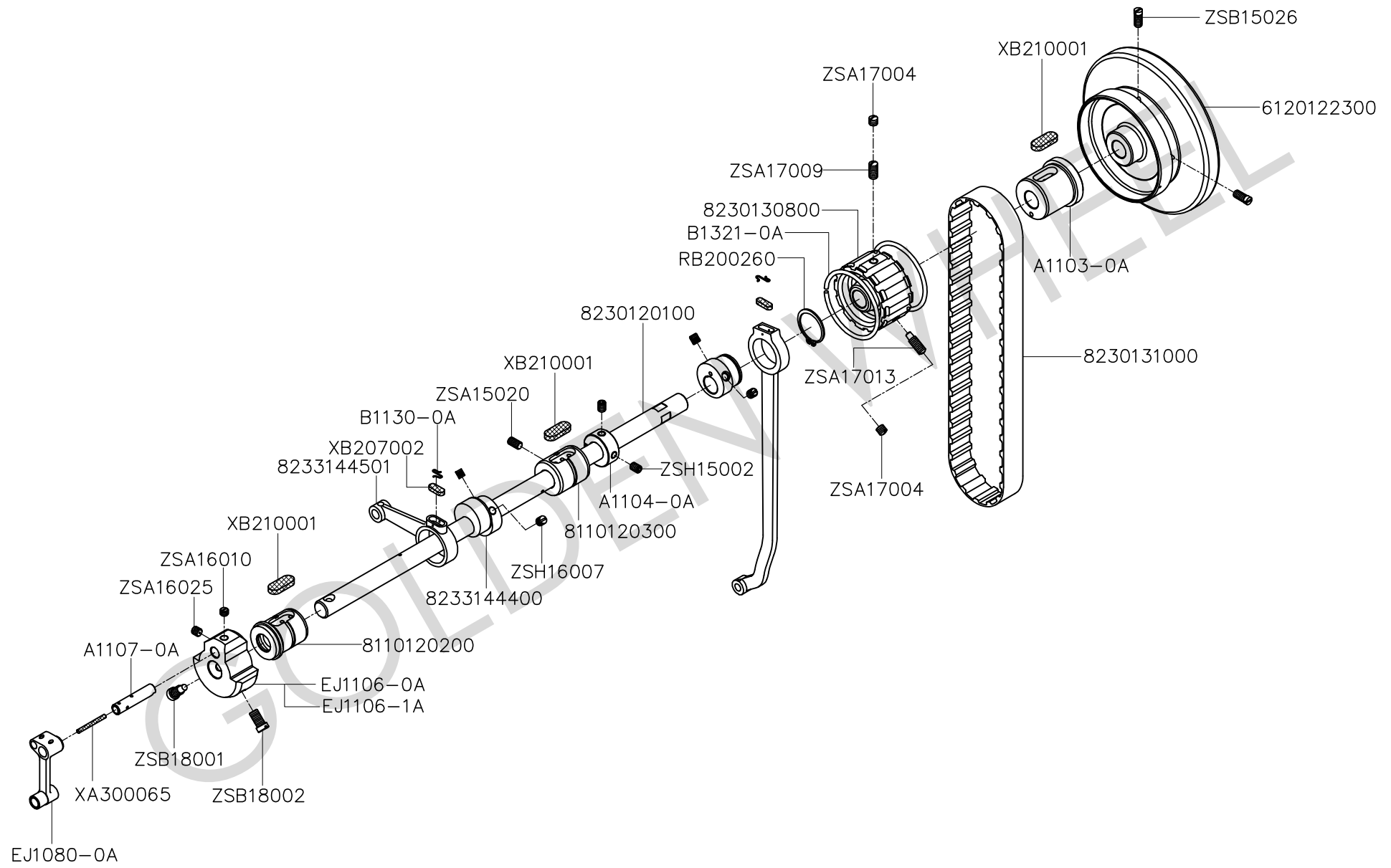
A、CS-8242、8243 本體關係(3/3) FRAME & MISCELLANEOUS COVER COMPONENTS (3/3)
CS-8244S、8244L

零件號碼 Part No	零件名稱	Name of Part	件數 Q, TY				備註 Remarks
			8242	8243	8244S	8244L	
4710113000	印記	Grand Mark	1	1	1	1	
6120117000	油蓋	Rubber Plug	1	1	1	1	
8230110300	底座	Base	1	1	1	1	
A1013-1B	油蓋	Rubber Plug	3	3	3	3	
EJ4109-0A	墊圈	Spacer	1	1	1	1	
L4110-0B	後鈕	Hinge	1	1	1	1	
Q1012-1A	橫蓋	Side Cover	1	1	1	1	
XB114001	油棉	Felt	1	1	1	1	
XB400029	油棉	Felt	1	1	1	1	
ZMG07001	螺絲	Hinge Screw	8	8	8	8	
ZSB11022	螺絲	Screw(11/64-40x7)	3	3	3	3	
ZSB20014	螺絲	Screw	1	1	1	1	

GOLDEN

B. CS-8242、8243
8244S、8244L

上軸關係 MAIN SHAFT COMPONENTS



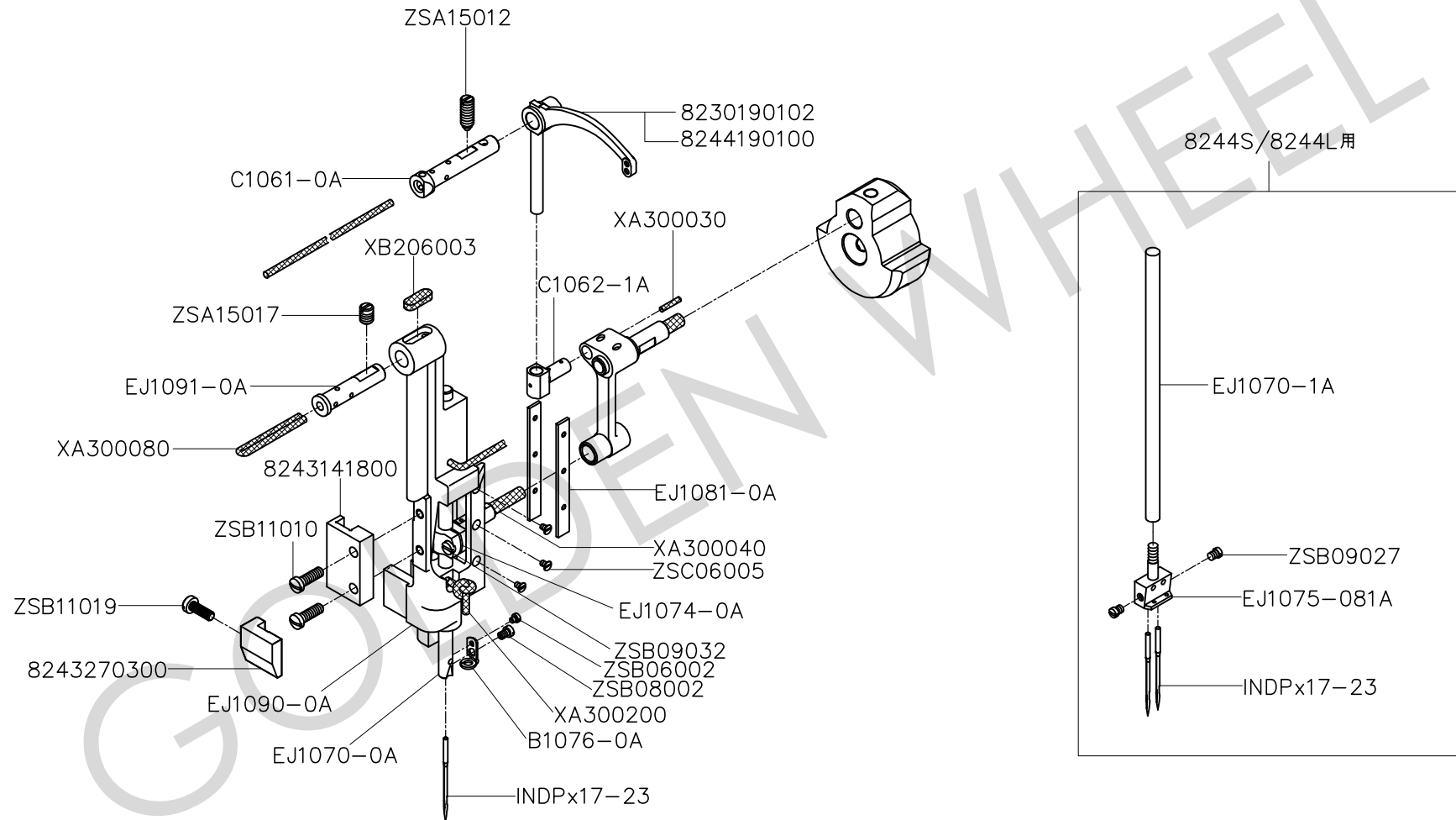
B、CS-8242、8243 上軸關係 MAIN SHAFT COMPONENTS

CS-8244S、8244L

零件號碼 Part No	零件名稱	Name of Part	件數 Q, TY				備註 Remarks
			8242	8243	8244S	8244L	
6120122300	皮帶輪	Hand Wheel	1	1	1	1	
8110120200	上軸套管(前)	Main Shaft Bushing (Front)	1	1	1	1	
8110120300	上軸套管(中)	Main Shaft Bushing (Center)	1	1	1	1	
8230120100	上軸	Main Shaft	1	1	1	1	
8230130800	齒形皮帶輪(上)	Timing Belt Wheel (Upper)	1	1	1	1	
8230131000	齒形皮帶	Timing Belt	1	1	1	1	
8233144400	偏心輪	Driving Cam	1	1	1	1	
8233144501	連桿	Connecting Rod	1	1	1	1	
A1103-0A	上軸套管(後)	Main Shaft Bushing (Upper)	1	1	1	1	
A1104-0A	定環	Thrust Collar	1	1	1	1	
A1107-0A	針棒連接軸	Needle Bar Crank Shaft	1	1	1	1	
B1130-0A	彈簧	Spring	1	1	1	1	
B1321-0A	齒輪邊環	Spring Flange	2	2	2	2	
EJ1080-0A	針棒連接桿	Needle Bar Crank Rod	1	1	1	1	
EJ1106-0A	凸輪	Counterweight	1	0	1	0	
EJ1106-1A	凸輪	Counterweight	0	1	0	1	
RB200260	軸用C扣環	Retaining Rings -C Type	1	1	1	1	
XA300065	油線	Oil Wick	1	1	1	1	
XB207002	油棉	Felt	1	1	1	1	
XB210001	油棉	Felt	3	3	3	3	
ZSA15020	螺絲	Screw(15/64-28x11)	1	1	1	1	
ZSA16010	螺絲	Screw(1/4-40x4.5)	1	1	1	1	
ZSA16025	螺絲	Screw(1/4-40x6)	1	1	1	1	
ZSA17004	螺絲	Screw(17/64-24x4.5)	2	2	2	2	
ZSA17009	螺絲	Screw(17/64-24x14.5)	1	1	1	1	
ZSA17013	螺絲	Screw(17/64-24x20)	1	1	1	1	
ZSB15026	螺絲	Screw(15/64-28x18)	2	2	2	2	
ZSB18001	螺絲	Screw(9/32-28x16)	1	1	1	1	
ZSB18002	螺絲	Screw(9/32-28x13)	1	1	1	1	
ZSH15002	螺絲	Screw(16/64-28x8)	2	2	2	2	
ZSH16007	螺絲	Screw(1/4-40x8)	2	2	2	2	

C. CS-8242、8243
8244S、8244L

針棒、天秤關係 NEEDLE BAR & THREAD TAKE-UP LEVER COMPONENTS

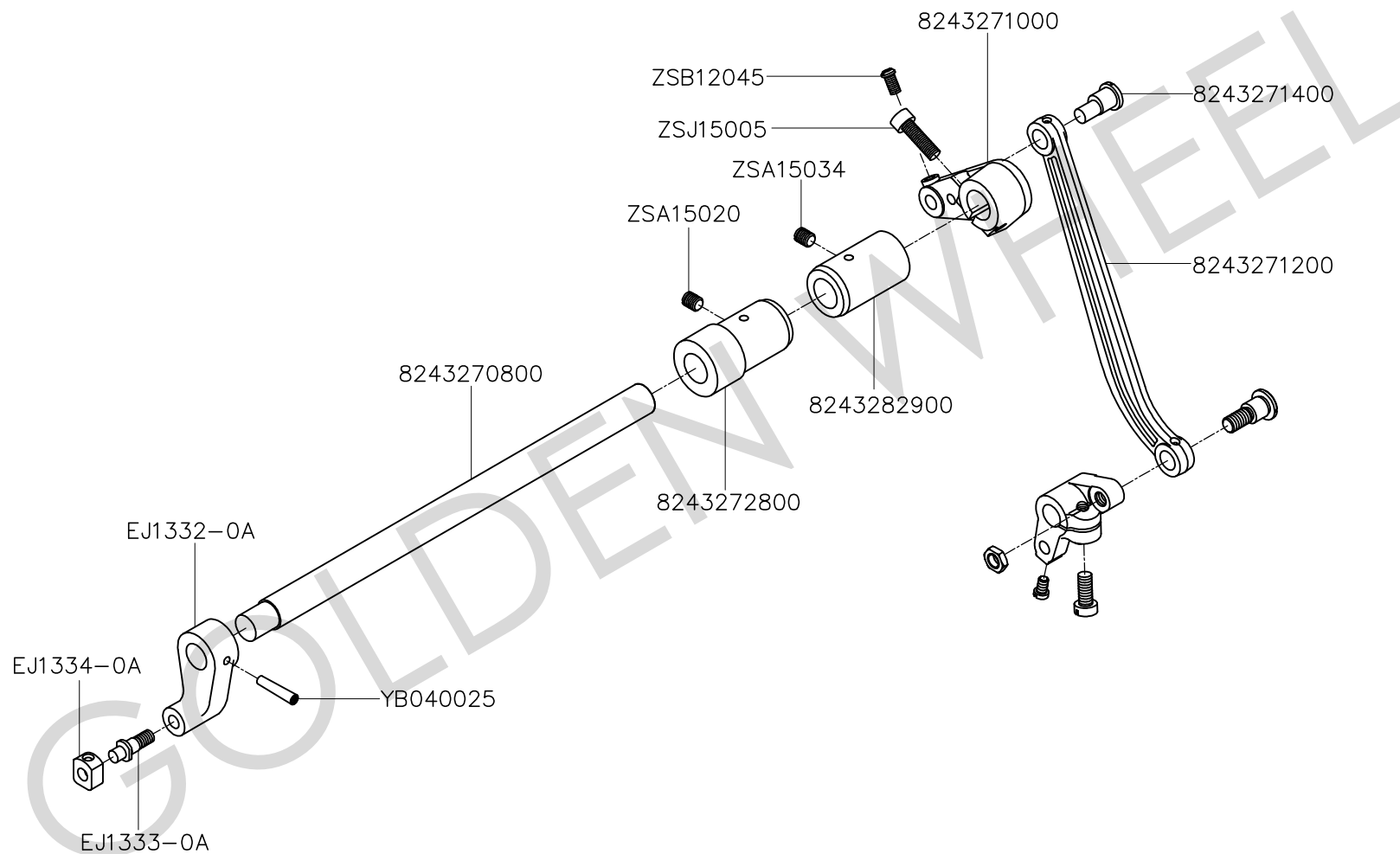


C、CS-8242、8243 針棒、天秤關係 NEEDLE BAR & THREAD TAKE-UP LEVER COMPONENTS
CS-8244S、8244L

零件號碼 Part No	零件名稱	Name of Part	件數 Q, TY				備註 Remarks
			8242	8243	8244S	8244L	
8230190102	天秤	Thread Take-up Lever	0	1	0	1	
8243141800	押腳舉升連桿案內	Vibrating Presser Bar Guide	1	1	1	1	
8243270300	針柱座定位板	Needle Bar Guide	1	1	1	1	
8244190100	天秤	Thread Take-up Lever	1	0	1	0	
B1076-0A	線掛	Needle Bar thread guide	1	1	0	0	
C1061-0A	天秤固定銷	Thread Take-up Lever Support Stud	1	1	1	1	
C1062-1A	天秤滑塊	Thread Take-up Slide Brock	1	1	1	1	
EJ1070-0A	針棒	Needle Bar	1	1	0	0	
EJ1070-1A	針棒	Needle Bar	0	0	1	1	
EJ1074-0A	針棒固定軸	Needle Bar Holder	1	1	1	1	
EJ1075-081	針鑷	Needle Clamp	0	0	1	1	
EJ1081-0A	針棒連結器滑板	Spacer	2	2	2	2	
EJ1090-0A	針柱台	Needle Bar Guide Bracket	1	1	1	1	
EJ1091-0A	針柱座固定軸	Needle Bar Guide Bracket Stud	1	1	1	1	
INDPx17-23	針	Needle	1	1	2	2	
XA300030	油線	Oil Wick	1	1	1	1	
XA300040	油線	Oil Wick	1	1	1	1	
XA300080	油線	Oil Wick	1	1	1	1	
XA300200	油線	Oil Wick	1	1	1	1	
XB206003	油棉	Felt	1	1	1	1	
ZSA15012	螺絲	Screw(15/64-28x17)	1	1	1	1	
ZSA15017	螺絲	Screw(15-64-28x8.5)	1	1	1	1	
ZSB06002	螺絲	Screw(3/32-56x2.5)	1	1	0	0	
ZSB08002	螺絲	Screw(1/8-44x4.5)	1	1	0	0	
ZSB09027	螺絲	Screw(9/64-40x4)	0	0	2	2	
ZSB09032	螺絲	Screw(9/64-40x8.5)	1	1	1	1	
ZSB11010	螺絲	Screw(11/64-40x14)	1	1	1	1	
ZSB11019	螺絲	Screw(11/64-40x13)	1	1	1	1	
ZSC06005	螺絲	Screw(3/32-56x3.9)	6	6	6	6	

D. CS-8242、8243
8244S、8244L

針棒搖擺關係 NEEDLE BAR ROCKING MOTION MECHANISM COMPONENTS

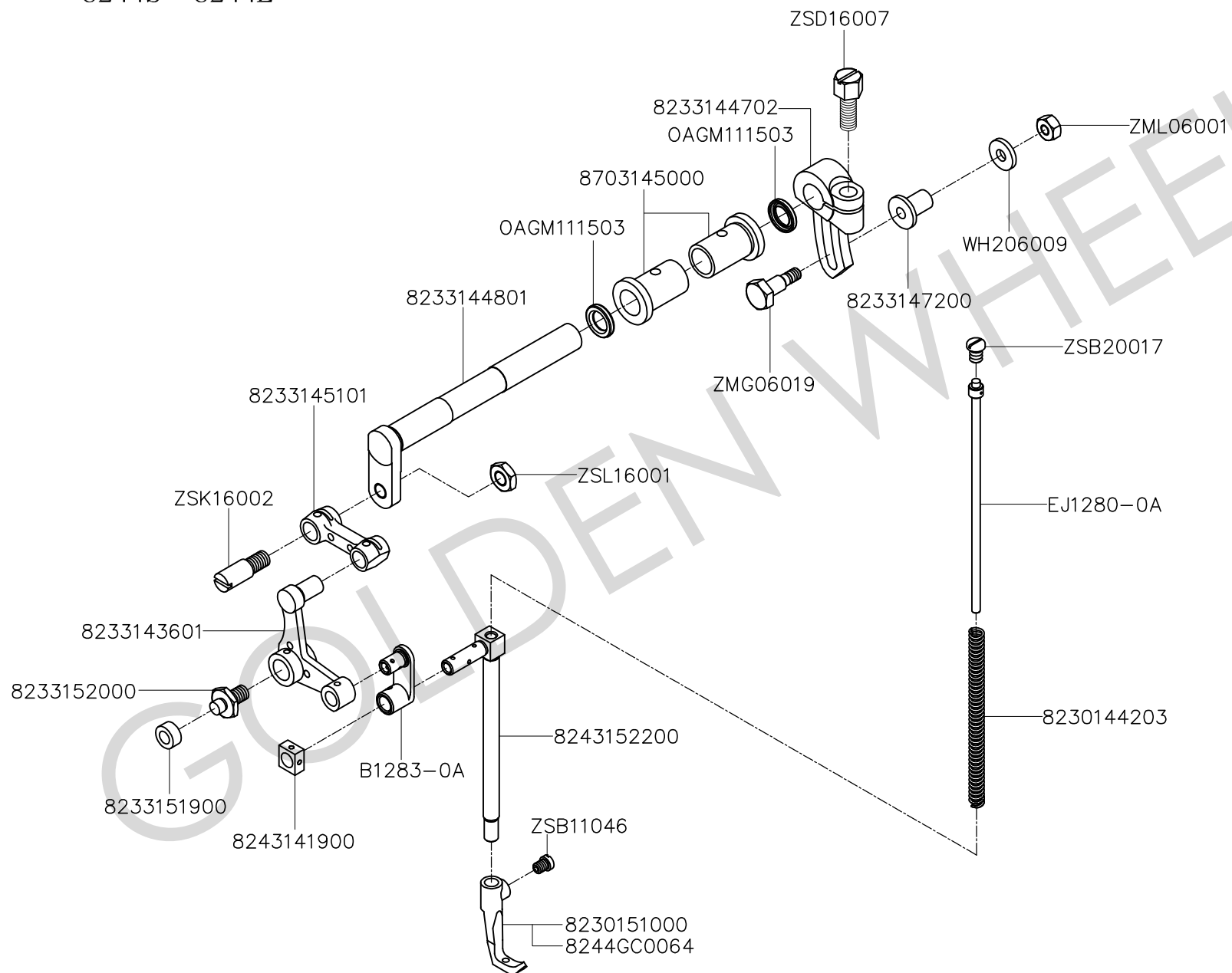


D、CS-8242、8243 針棒搖擺關係 NEEDLE BAR ROCKING MOTION MECHANISM COMPONENTS
CS-8244S、8244L

零件號碼 Part No	零件名稱	Name of Part	件數 Q, TY				備註 Remarks
			8242	8243	8244S	8244L	
8243270800	擺動臂軸	Needle Bar Vibrating Shaft	1	1	1	1	
8243271000	擺動臂	Needle Bar Vibrating Crank (Right)	1	1	1	1	
8243271200	連接桿	Connecting Rod	1	1	1	1	
8243271400	連結軸	Eccentric Shaft	1	1	1	1	
8243272800	擺動臂軸套管	Needle Bar Vibrating Shaft Bushing (Front)	1	1	1	1	
8243272900	擺動臂軸套管	Needle Bar Vibrating Shaft Bushing (Rear)	1	1	1	1	
EJ1332-0A	擺動臂	Needle Bar Vibrating Crank (Left)	1	1	1	1	
EJ1333-0A	角駒軸	Crank Pin	1	1	1	1	
EJ1334-0A	角駒	Square Block	1	1	1	1	
YB040025	推拔銷	Taper Pin	1	1	1	1	
ZSA15022	螺絲	Screw(15/64-28x11)	1	1	1	1	
ZSA15034	螺絲	Screw(15/64-28x16)	1	1	1	1	
ZSB12045	螺絲	Screw(3/16-28x9)	1	1	1	1	
ZSJ15005	螺絲	Screw(15/64-28x20)	1	1	1	1	

E. CS-8242、8243
8244S、8244L

上部送料關係 UPPER FEED MECHANISM COMPONENTS

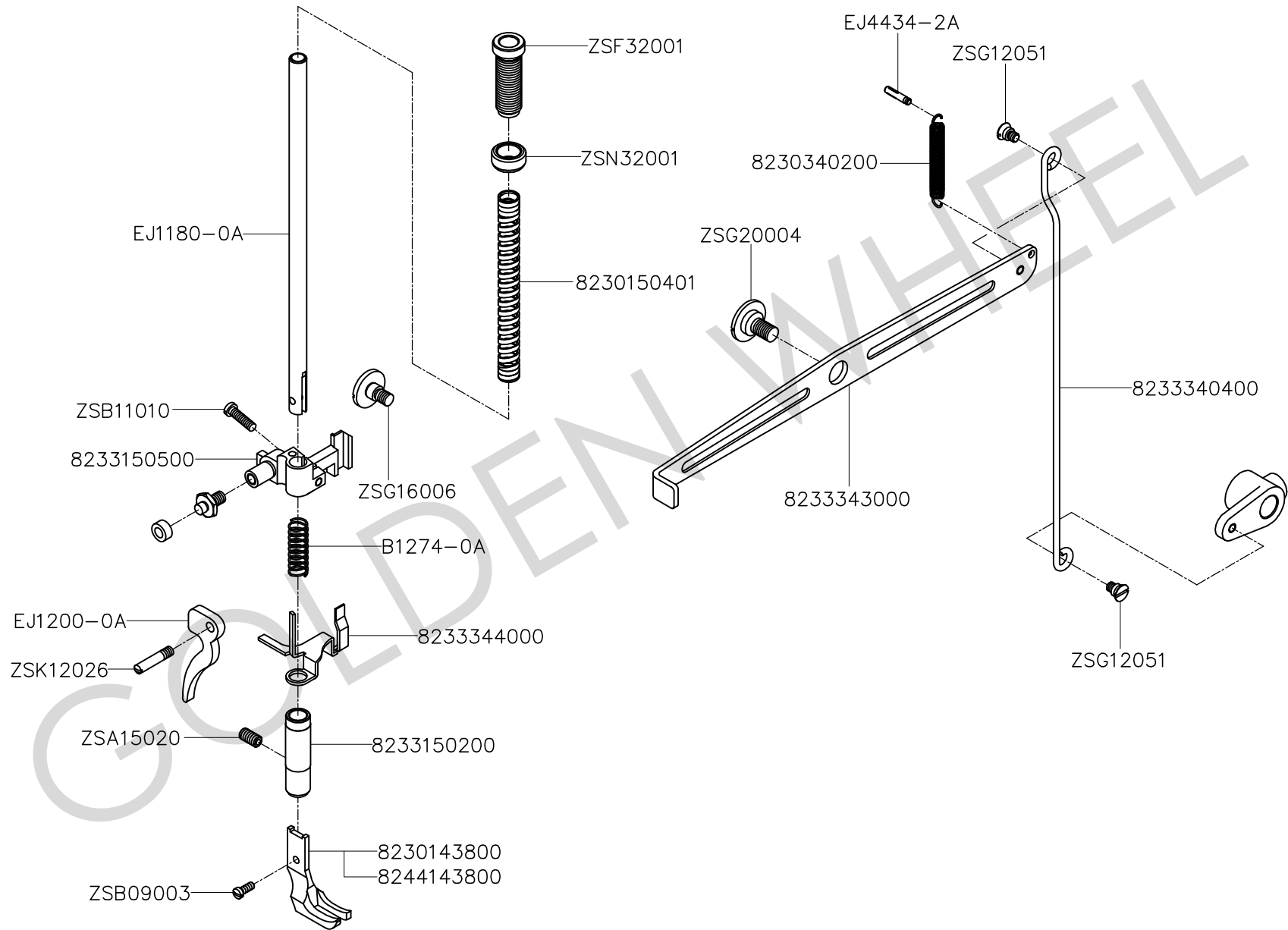


E、CS-8242、8243 上部送料關係 UPPER FEED MECHANISM COMPONENTS

CS-8244S、8244L

零件號碼 Part No	零件名稱	Name of Part	件數 Q, TY				備註 Remarks
			8242	8243	8244S	8244L	
8230114203	彈簧	Spring	1	1	1	1	
8230151000	內押腳	Walking Foot	1	1	0	0	
8233143601	舉升曲臂連桿	Lifting Ball Crank	1	1	1	1	
8233144702	上送軸曲柄	Feed Rotating Crank	1	1	1	1	
8233144801	上送軸	Feed Rocker Shaft	1	1	1	1	
8233145101	舉升曲柄連桿	Lifting Ball Crank Link	1	1	1	1	
8233147200	連接座	Bearing Stud	1	1	1	1	
8233151900	導塊	Ball Crank Guide Bracket	1	1	1	1	
8233152000	固定銷	Pin	1	1	1	1	
8243141900	滑塊	Slide Brock	1	1	1	1	
8243152200	中腳押棒	Vibrating Presser Bar	1	1	1	1	
8244GC0064	內押腳	Walking Foot	0	0	1	1	
8703145000	上送軸套管	Feed Rotating Shaft Bushing	2	2	2	2	
B1283-0A	押腳舉升連桿	Vibrating Presser Bar Link	1	1	1	1	
EJ1280-0A	彈簧導桿	Vibrating Presser Spring Guide	1	1	1	1	
OAGM111503	油封	O-ring	2	2	2	2	
WH206009	平墊圈	Washer	1	1	1	1	
ZMG06019	螺絲	Screw (M6-1.0x24)	1	1	1	1	
ZML06001	螺帽	Nut	1	1	1	1	
ZSB11046	螺絲	Screw (11/64-40x5)	1	1	1	1	
ZSB20017	螺絲	Screw (5/16-28x12)	1	1	1	1	
ZSD16007	螺絲	Screw (1/4-28x16.5)	1	1	1	1	
ZSK16002	螺絲	Hinge Screw	1	1	1	1	
ZSL16001	螺帽	Nut	1	1	1	1	

F. CS-8242、8243 押脚、脚弓關係 (1/2) PRESSURE BAR & KNEE LIFTER COMPONENTS(1/2)
 8244S、8244L

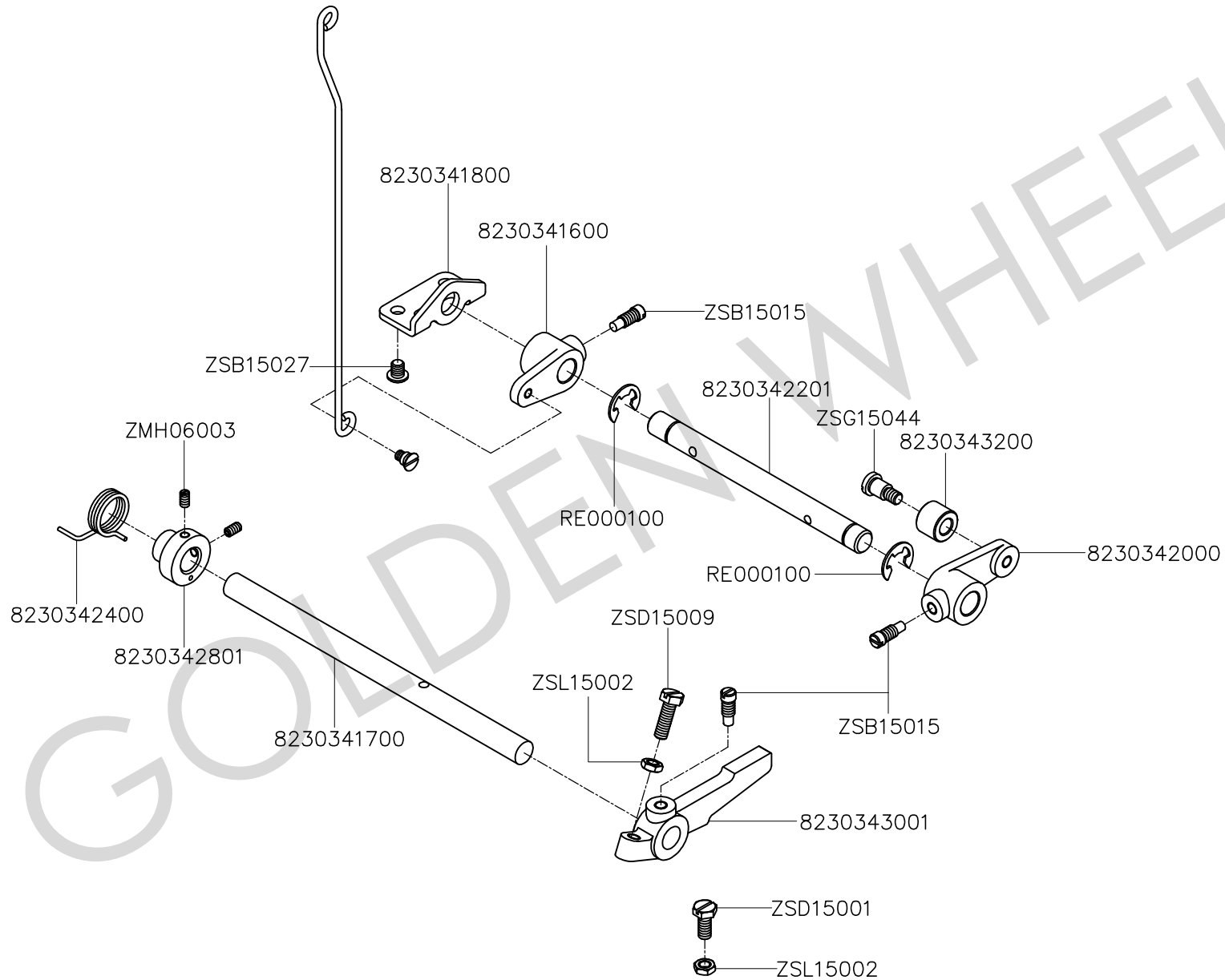


F、CS-8242、8243 押腳、腳弓關係(1/2) PRESSER BAR & KNEE LIFTER COMPONENTS(1/2)
CS-8244S、8244L

零件號碼 Part No	零件名稱	Name of Part	件數 Q, TY				備註 Remarks
			8242	8243	8244S	8244L	
8230143800	外壓腳	Presser Foot	1	1	0	0	
8230150401	壓縮彈簧	Presser Spring	1	1	1	1	
8230340200	彈簧	Spring	1	1	1	1	
8233150200	壓棒套管	Bushing	1	1	1	1	
8233150500	押棒提昇器	Presser Bar Lifter	1	1	1	1	
8233340400	連接棒	Knee Operating Connection Bar	1	1	1	1	
8233343000	押腳抬高桿	Foot Lifter Lifting Lever	1	1	1	1	
8233344000	鬆線導板	Tension Release Slide	1	1	1	1	
8244142800	外壓腳	Presser Foot	0	0	1	1	
B1274-0A	彈簧	Spring	1	1	1	1	
EJ1180-0A	押棒	Presser Bar	1	1	1	1	
EJ1200-0A	押腳提桿	Presser Foot Lifter	1	1	1	1	
EJ4434-2A	銷	Spring Support	1	1	1	1	
ZSA15020	螺絲	Screw (15/64-28x11)	1	1	1	1	
ZSB09003	螺絲	Screw (9/64-40x9)	1	1	1	1	
ZSB11010	螺絲	Screw (11/64-40x14)	1	1	1	1	
ZSF32001	螺絲	Screw	1	1	1	1	
ZSG12051	螺絲	Screw (3/16-28x10)	2	2	2	2	
ZSG16006	螺絲	Hinge Screw	1	1	1	1	
ZSG20004	螺絲	Hinge Screw	1	1	1	1	
ZSK12026	螺絲	Hinge Screw	1	1	1	1	
ZSN32001	螺帽	Nut	1	1	1	1	

F. CS-8242、8243
8244S、8244L

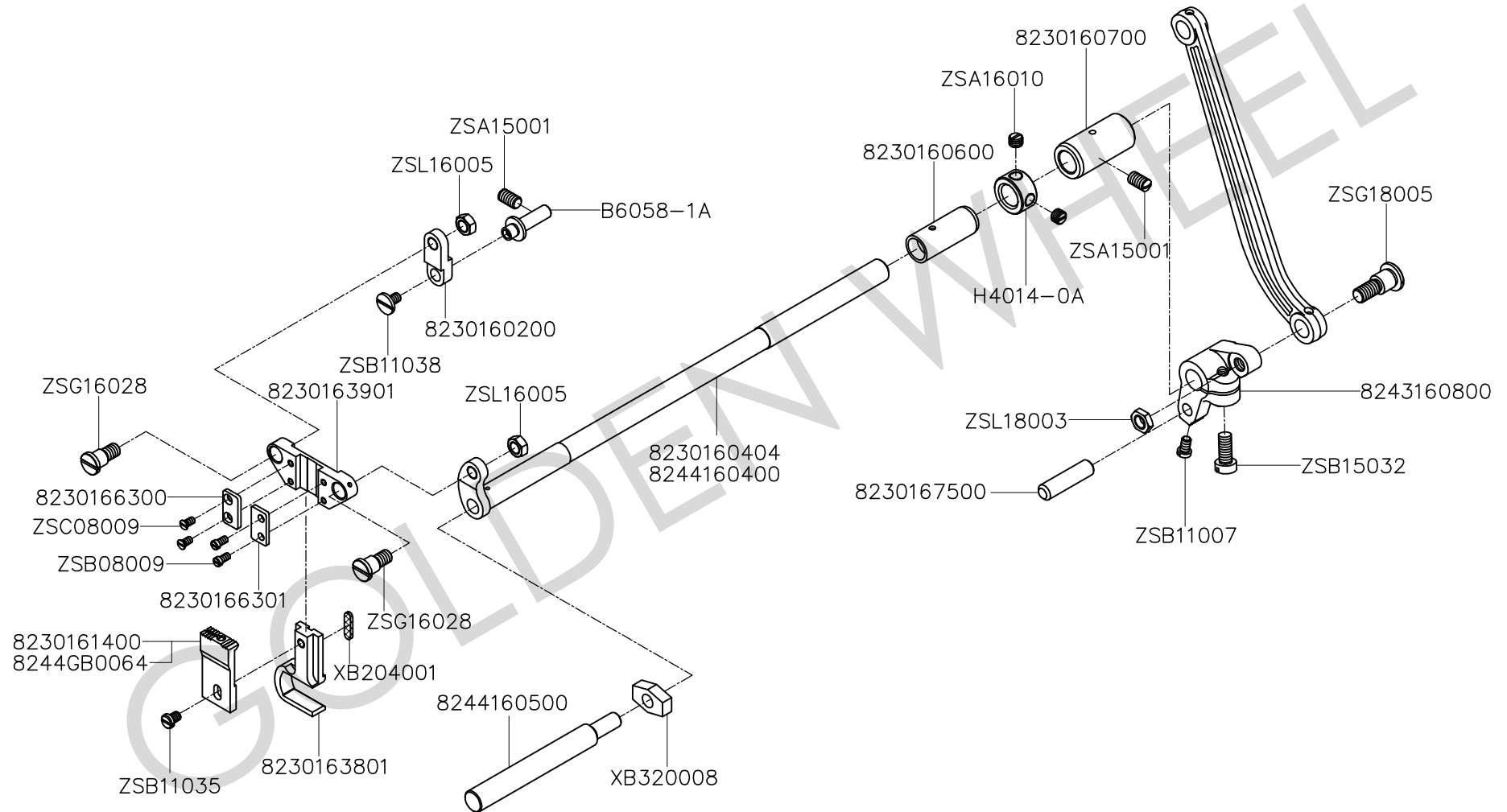
押脚、脚弓關係(2/2) PRESSURE BAR & KNEE LIER COMPONENTS (2/2)



F、CS-8242、8243 押腳、腳弓關係(2/2) PRESSURE BAR & KNEE LIFTER COMPONENTS (2/2)
 CS-8244S、8244L

零件號碼 Part No	零件名稱	Name of Part	件數 Q, TY				備註 Remarks
			8242	8243	8244S	8244L	
8230341600	連接器	Knee Lifter Crank (Rear)	1	1	1	1	
8230341700	腳押直桿	Knee Lifter Shaft	1	1	1	1	
8230341800	支持板	Support	1	1	1	1	
8230342000	連接器	Knee Lifter Crank (Center)	1	1	1	1	
8230342201	連接器軸	Knee Lifter Crank Shaft	1	1	1	1	
8230342400	彈簧	Spring	1	1	1	1	
8230342801	彈簧支板	Retaining Plate	1	1	1	1	
8230343001	連接器	Knee Lifter Crank (Front)	1	1	1	1	
8230343200	滾仔	Roller	1	1	1	1	
RE000100	E扣環	Retaining Rings-E	2	2	2	2	
ZMH06003	螺絲	Screw (M6-1.0x8)	2	2	2	2	
ZSB15015	螺絲	Screw (15/64-28x14.5)	3	3	3	3	
ZSB15027	螺絲	Screw (15/64-28x7)	2	2	2	2	
ZSD15001	螺絲	Screw (15/64-28x14)	1	1	1	1	
ZSD15009	螺絲	Screw (15/64-28x19)	1	1	1	1	
ZSG15044	螺絲	Hinge Screw	1	1	1	1	
ZSL15002	螺帽	Nut	2	2	2	2	

G. CS-8242、8243 下部送料關係 (1/2) LOWER FEED MECHANISM COMPONENTS (1/2)
 8244S、8244L



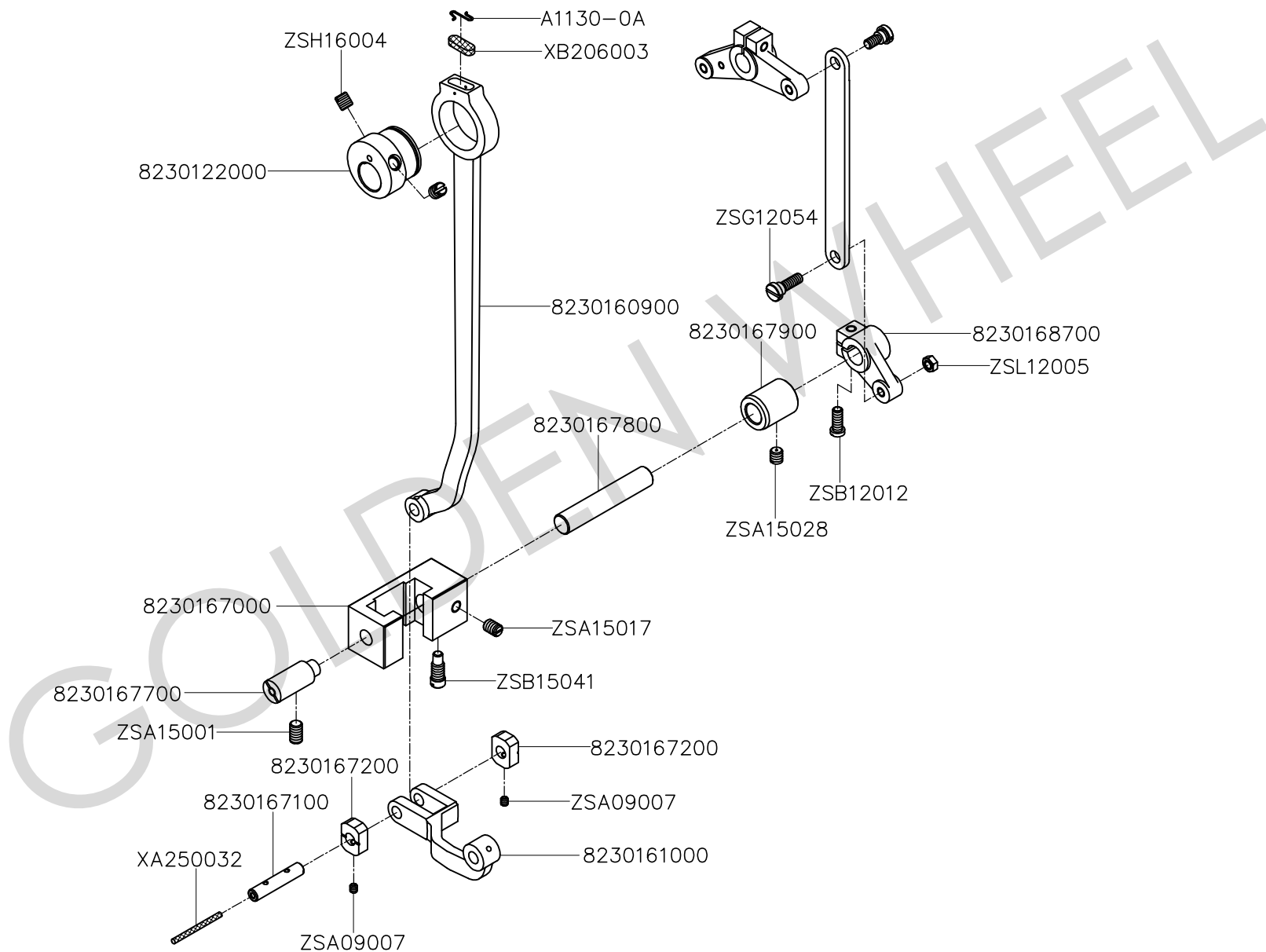
G、CS-8242、8243 下部送料關係(1/2) LOWER FEED MECHANISM COMPONENTS (1/2)

CS-8244S、8244L

零件號碼 Part No	零件名稱	Name of Part	件數 Q, TY				備註 Remarks
			8242	8243	8244S	8244L	
8230160200	送料台連接棒	Feed Bar Link	1	1	1	1	
8230160404	搖動軸(結合)	Feed Rocker shaft Com.	1	1	0	0	
8230160600	搖動軸套管(前)	Bushing (Front)	1	1	1	1	
8230160700	搖動軸套管(後)	Bushing (Rear)	1	1	1	1	
8230161400	送料齒	Feed Dog	1	1	0	0	
8230163801	送料台二又	Feed Lifting Fork	1	1	1	1	
8230163901	送料台機座	Feed Bar Support	1	1	1	1	
8230166300	滑道蓋	Feed Bar Support Plate	1	1	1	1	
8230166301	滑道蓋	Feed Bar Support Plate	1	1	1	1	
8230167500	銷	Pin	1	1	1	1	
8243160800	搖動曲軸	Feed Rocker Shaft Crank	1	1	1	1	
8244160400	搖動軸(結合)	Feed Rocker shaft Com.	0	0	1	1	
8244160500	軸	Shaft	0	0	1	1	
8244GB0064	送料齒	Feed Dog	0	0	1	1	
B6058-1A	固定銷	Pin	1	1	1	1	
H4014-0A	定環	Thrust Collar	1	1	1	1	
XB204001	油棉	Felt	1	1	1	1	
XB320008	油棉	Felt	0	0	1	1	
ZSA15001	螺絲	Screw (15/64-28x11)	2	2	2	2	
ZSA16010	螺絲	Screw (1/4-40x4.5)	2	2	2	2	
ZSB08009	螺絲	Screw (1/8-44x6)	2	2	2	2	
ZSB11007	螺絲	Screw (11/64-40x7)	1	1	1	1	
ZSB11035	螺絲	Screw (11/64-40x6)	1	1	1	1	
ZSB11038	螺絲	Screw (11/64-40x7.5)	1	1	1	1	
ZSB15032	螺絲	Screw (15/64-28x14)	1	1	1	1	
ZSC08009	螺絲	Screw (1/8-44x6.2)	2	2	2	2	
ZSG16028	螺絲	Hinge Screw	2	2	2	2	
ZSG18005	螺絲	Hinge Screw	1	1	1	1	
ZSL16005	螺帽	Nut	2	2	2	2	
ZSL18003	螺帽	Nut	1	1	1	1	

G. CS-8242、8243
8244S、8244L

下部送料關係(2/2) LOWER FEED MECHANISM COMPONENTS (2/2)



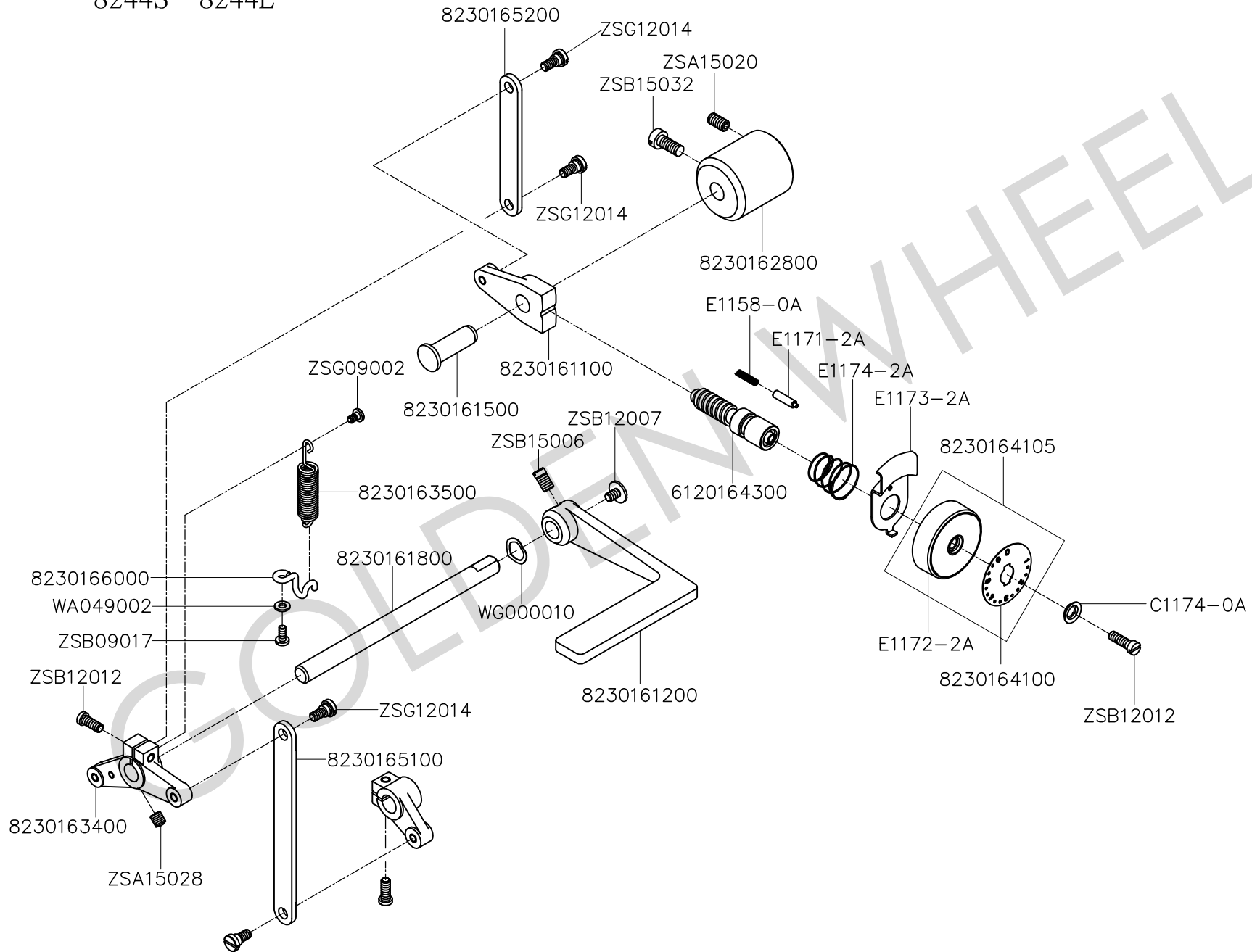
G、CS-8242、8243 下部送料關係(2/2) LOWER FEED MECHANISM COMPONENTS (2/2)

CS-8244S、8244L

零件號碼 Part No	零件名稱	Name of Part	件數 Q, TY				備註 Remarks
			8242	8243	8244S	8244L	
8230122000	偏心輪	Feed Cam	1	1	1	1	
8230160900	送料桿	Feed Rod	1	1	1	1	
8230161000	送料調節桿	Feed Regulator	1	1	1	1	
8230167000	倒退固定塊	Reverse Block	1	1	1	1	
8230167100	滑駒銷	Square Block Pin	1	1	1	1	
8230167200	滑駒	Square Block	2	2	2	2	
8230167700	倒退固定塊	Reverse Block	1	1	1	1	
8230167800	倒退固定銷	Reverse Block Pin	1	1	1	1	
8230167900	倒退固定銷套管	Reverse Block Pin Bushing	1	1	1	1	
8230168700	倒退固定銷連桿	Reverse Block Pin Link	1	1	1	1	
A1130-0A	彈簧	Spring	1	1	1	1	
XA250032	油線	Oil Wick	1	1	1	1	
XB206003	油棉	Felt	1	1	1	1	
ZSA09007	螺絲	Screw (9/64-40x4)	2	2	2	2	
ZSA15001	螺絲	Screw (15/64-28x11)	1	1	1	1	
ZSA15017	螺絲	Screw (15/64-28x8.5)	1	1	1	1	
ZSA15028	螺絲	Screw (15/64-28x7)	1	1	1	1	
ZSB12012	螺絲	Screw (3/16-28x12)	1	1	1	1	
ZSB15041	螺絲	Screw (15-64-28x14.5)	1	1	1	1	
ZSG12054	螺絲	Hinge Screw	1	1	1	1	
ZSH16004	螺絲	Screw (1/4-40x10)	2	2	2	2	
ZSL12005	螺帽	Nut	1	1	1	1	

H. CS-8242、8243
8244S、8244L

縫目調節關係 FEED ADJUSTMENT MECHANISM COMPONENTS



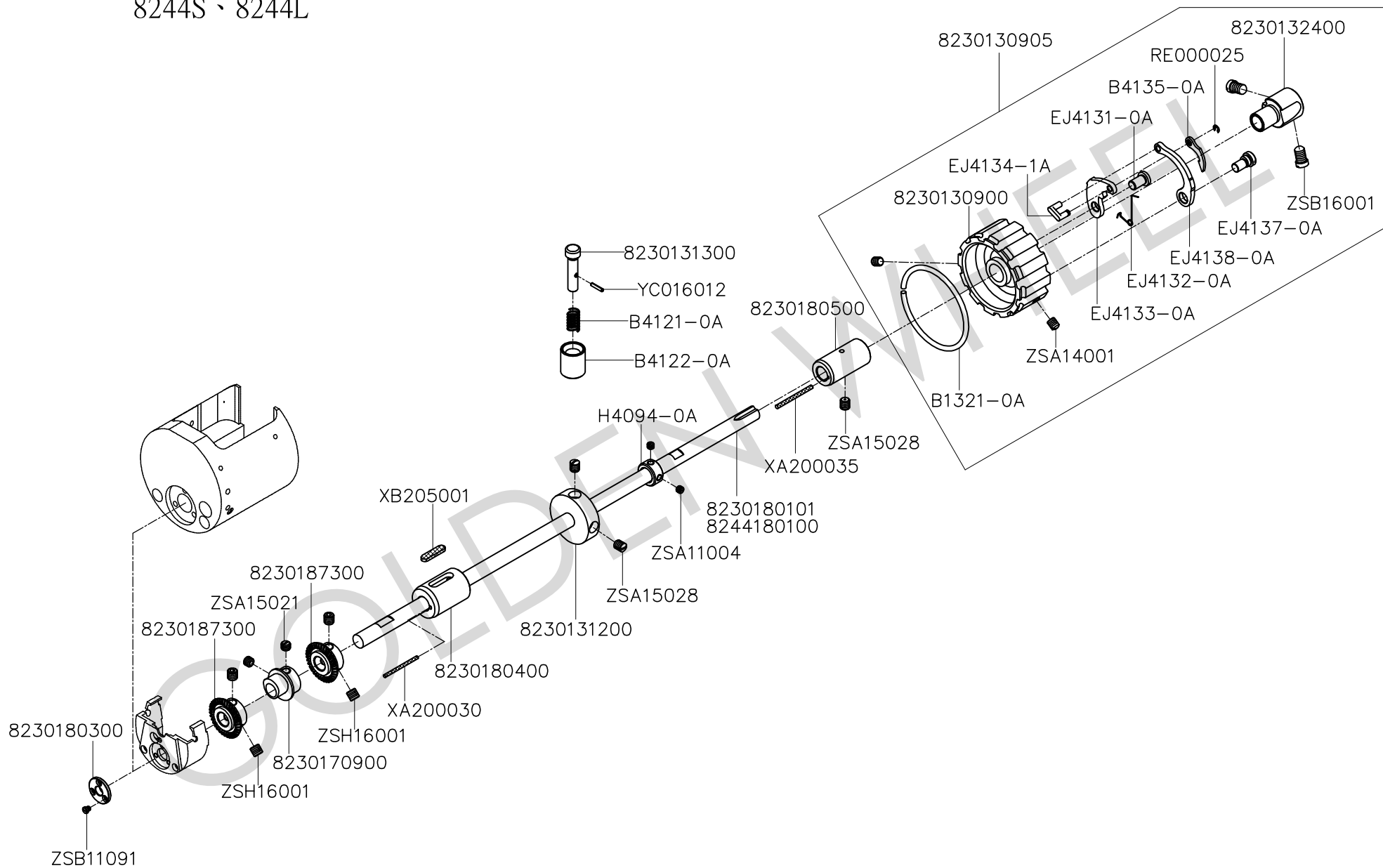
H、CS-8242、8243 縫目調節關係 FEED ADJUSTMENT MECHANISM COMPONENTS

CS-8244S、8244L

零件號碼 Part No	零件名稱	Name of Part	件數 Q, TY				備註 Remarks
			8242	8243	8244S	8244L	
6120164300	方牙棒	Feed Regulating Screw	1	1	1	1	
8230161100	送料調節桿	Feed Regulator	1	1	1	1	
8230161200	倒縫桿	Reverse Sewing Lever	1	1	1	1	
8230161500	送料調節桿固定銷	Feed Regulating Lock Shaft	1	1	1	1	
8230161800	倒縫軸	Lever Shaft	1	1	1	1	
8230162800	送料調節桿套管	Bushing	1	1	1	1	
8230163400	倒縫軸連桿	Lever Shaft Rod	1	1	1	1	
8230163500	抗拉彈簧	Spring	1	1	1	1	
8230164100	刻度板	Dial Plate	1	1	1	1	
8230164105	刻度盤(組)	Dial Asm.	1	1	1	1	
8230165100	倒縫固定軸桿(A)	Reverse Block Link (A)	1	1	1	1	
8230165200	倒退固定軸桿(B)	Reverse Block Link (B)	1	1	1	1	
8230166000	彈簧掛	Spring Hook	1	1	1	1	
C1174-0A	墊片	Washer	1	1	1	1	
E1158-0A	彈簧	Spring	1	1	1	1	
E1171-2A	定位銷	Pin	1	1	1	1	
E1172-2A	刻度盤	Dial	1	1	1	1	
E1173-2A	操作板	Stopper Pin Releasing Lever	1	1	1	1	
E1174-2A	彈簧	Spring	1	1	1	1	
WA049002	平墊圈	Washer	1	1	1	1	
WG000010	墊圈	Washer	1	1	1	1	
ZSA15020	螺絲	Screw (15/64-28x11)	1	1	1	1	
ZSA15028	螺絲	Screw (15/64-28x7)	1	1	1	1	
ZSB09017	螺絲	Screw (9/64-40x8)	1	1	1	1	
ZSB12007	螺絲	Screw (3/16-28x7)	1	1	1	1	
ZSB12012	螺絲	Screw (3/16-28x15)	2	2	2	2	
ZSB15006	螺絲	Screw (15/64-28x8.5)	2	2	2	2	
ZSB15032	螺絲	Screw (15/64-28x14)	1	1	1	1	
ZSG09002	螺絲	Hinge Screw	1	1	1	1	
ZSG12014	螺絲	Hinge Screw	3	3	3	3	

I. CS-8242、8243
8244S、8244L

下軸關係 HOOK DRIVE SHAFT MECHANISM COMPONENTS

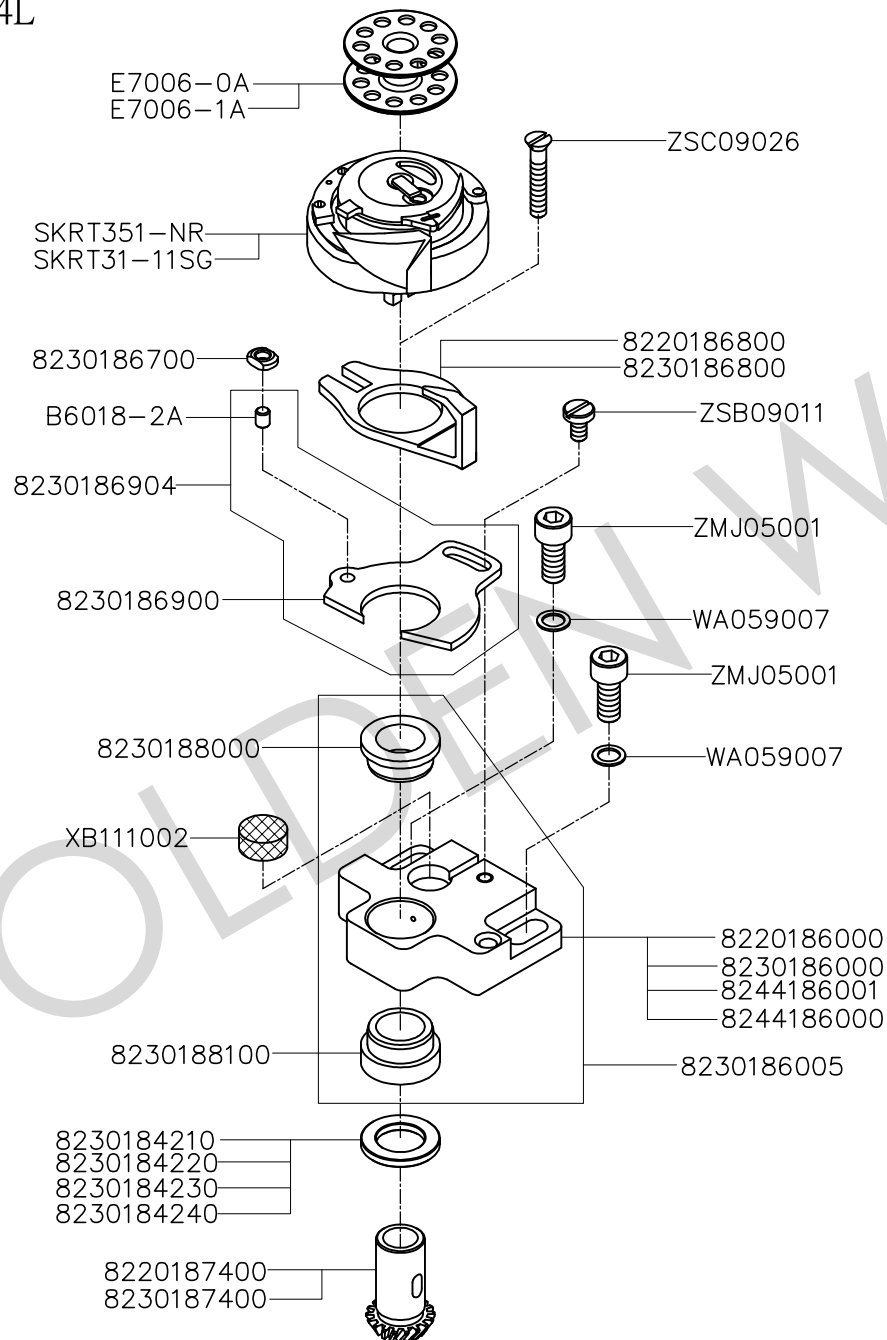


I、CS-8242、8243 下軸關係 HOOK DRIVE SHAFT MECHANISM COMPONENTS

CS-8244S、8244L

零件號碼 Part No	零件名稱	Name of Part	件數 Q, TY				零件號碼 Part No	零件名稱	Name of Part	件數 Q, TY			
			8242	8243	8244S	8244L				8242	8243	8244S	8244L
8230130900	齒形皮帶輪	Timing Belt Wheel (Lower)	(1)	(1)	(1)	(1)	RE000025	E扣環	E-ring	(1)	(1)	(1)	(1)
8230130905	離合器(組)	Safety Clutch	1	1	1	1	XA200030	油線	Oil Wick	1	1	1	1
8230131200	止動輪	Hook Driving Shaft Lock Wheel	1	1	1	1	XA200035	油線	Oil Wick	1	1	1	1
8230131300	傳動軸止動鎖	Hook Driving Shaft Lock Button	1	1	1	1	XB205001	油棉	Felt	1	1	1	1
8230132400	套管	Bushing	(1)	(1)	(1)	(1)	YC016012	開口銷	Split Pin	1	1	1	1
8230170900	送料偏心輪	Feed Lifting Rock Cam	1	1	1	1	ZSA11004	螺絲	Screw(11/64-40x3.5)	2	2	2	2
8230180101	下軸	Upper Shaft	1	1	0	0	ZSA14001	螺絲	Screw(7/32-32x7)	(2)	(2)	(2)	(2)
8230180300	下軸套管	Bushing (Left)	1	1	1	1	ZSA15021	螺絲	Screw(15/64-28x4.5)	2	2	2	2
8230180400	下軸套管(中)	Bushing (Center)	1	1	1	1	ZSA15028	螺絲	Screw(15/64-28x7)	3	3	3	3
8230180500	下軸套管(右)	Bushing (Rear)	1	1	1	1	ZSB11091	螺絲	Screw(11/64-40x4)	3	3	3	3
8230187300	斜齒輪(下)	Screw Gear (Lower)	1	1	2	2	ZSB16001	螺絲	Screw(1/4-32x10.5)	(2)	(2)	(2)	(2)
8244180100	下軸	Upper Shaft	0	0	1	1	ZSH16001	螺絲	Screw(1/4-40x6)	3	3	5	5
B1321-0A	齒輪邊環	Spring Flange	(1)	(1)	(1)	(1)							
B4121-0A	彈簧	Spring	1	1	1	1							
B4122-0A	軸止動套管	Hook Driving Shaft Lock Stud Socket	1	1	1	1							
B4135-0A	離合器棘	Plate	(1)	(1)	(1)	(1)							
EJ4131-0A	固定銷	Pin	(1)	(1)	(1)	(1)							
EJ4132-0A	離合器彈簧	Twist Spring	(1)	(1)	(1)	(1)							
EJ4133-0A	離合器棘	Plate	(1)	(1)	(1)	(1)							
EJ4134-1A	連接桿	Link	(1)	(1)	(1)	(1)							
EJ4137-0A	調整銷	Tension Stud	(1)	(1)	(1)	(1)							
EJ4138-0A	彈片壓板	Spring Plate	(1)	(1)	(1)	(1)							
H4094-0A	定環	Thrust Collar	1	1	1	1							

J. CS-8242、8243 右釜軸台關係 RIGHT HOOK SADDLE MECHANISM COMPONENTS
 8244S、8244L

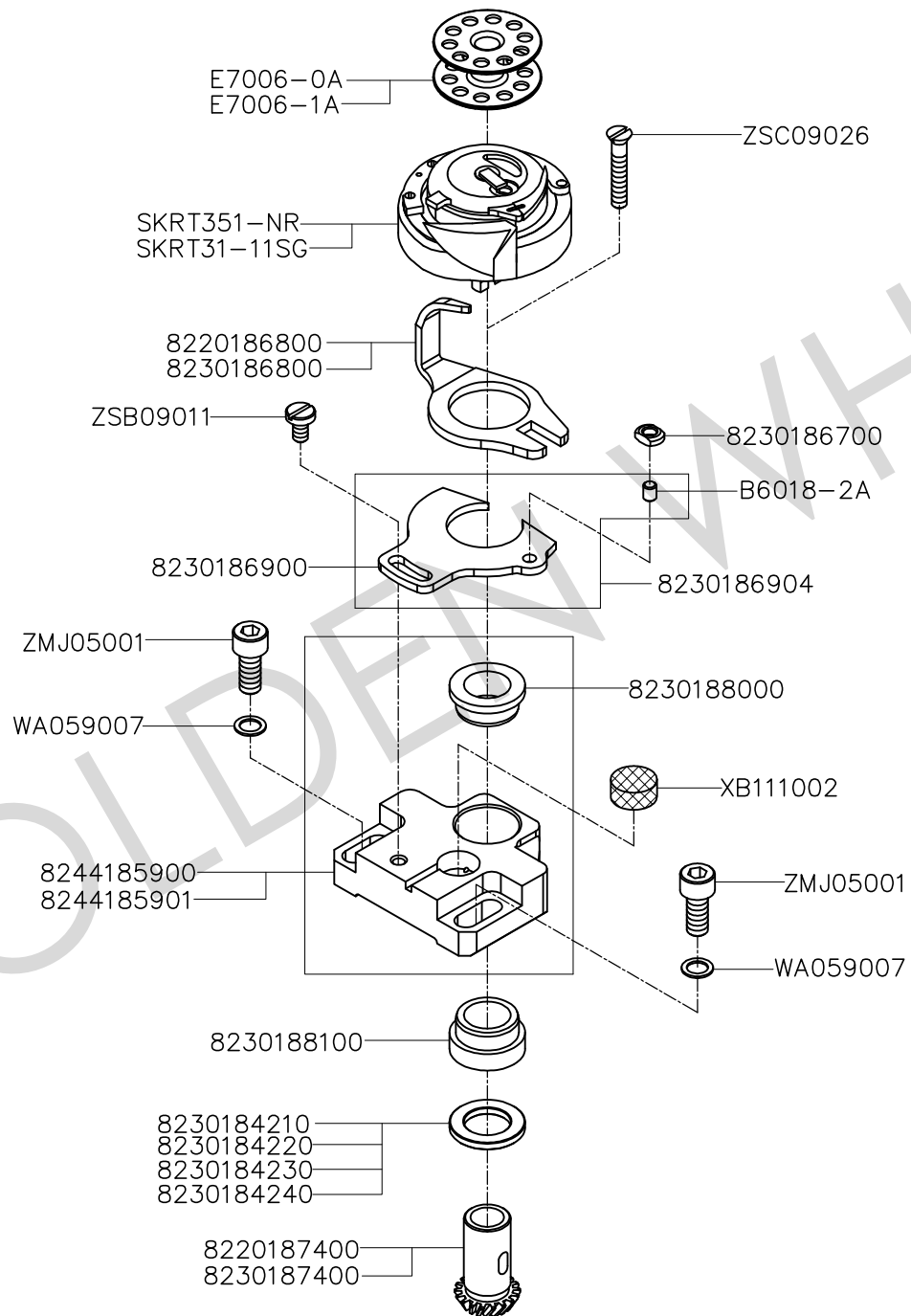


J、CS-8242、8243 右釜軸台關係 RIGHT HOOK SADDLE MECHANISM COMPONENTS

CS-8244S、8244L

零件號碼 Part No	零件名稱	Name of Part	件數 Q, TY				備註 Remarks
			8242	8243	8244S	8244L	
8220186000	釜台	Hook Saddle	1	1	0	0	
8220186800	牛角	Opener	1	1	1	0	
8220187400	齒輪	Hook Shaft Gear	1	1	1	0	
8230184210	墊圈	Spacer	(1)	(1)	(1)	(1)	
8230184220	墊圈	Spacer	(1)	(1)	(1)	(1)	
8230184230	墊圈	Spacer	1	1	1	1	
8230184240	墊圈	Spacer	(1)	(1)	(1)	(1)	
8230186000	釜台	Hook Saddle	0	1	0	0	
8230186005	釜台(組)	Hook Saddle Asm.	0	1	0	0	
8230186700	牛角滑駒	Opener Square Block	1	1	1	1	
8230186800	牛角	Opener	1	1	1	1	
8230186900	牛角案内板	Opener Guide Plate	1	1	1	1	
8230186904	牛角案内板(套)	Opener Guide Plate Asm.	1	1	1	1	
8230187400	齒輪	Hook Shaft Gear	0	1	0	1	
8230188000	釜軸套管(上)	Hook Shaft Bushing (Upper)	1	1	1	1	
8230188100	釜軸套管(下)	Hook Shaft Bushing (Lower)	1	1	1	1	
8244186000	釜台	Hook Saddle	0	0	0	1	
8244186001	釜台	Hook Saddle	0	0	1	0	
B6018-2A	滑駒鎖	Shaft	1	1	1	1	
E7006-0A	梭仔	Bobbin	1	1	1	0	
E7006-1A	梭仔	Bobbin	0	1	0	1	
SKRT31-11SG	梭頭(組)	Hook Asm.	1	0	1	0	
SKRT351-NR	梭頭(組)	Hook Asm.	0	1	0	1	
WA059007	平墊圈	Washer	2	2	2	2	
XB111002	油棉	Felt	1	1	1	1	
ZMJ05001	螺絲	Screw (M5-0.8x14)	2	2	2	2	
ZSB09011	螺絲	Screw (9/64-40x6.5)	1	1	1	1	
ZSC09026	螺絲	Screw (9/64-36x27.5)	1	1	1	1	

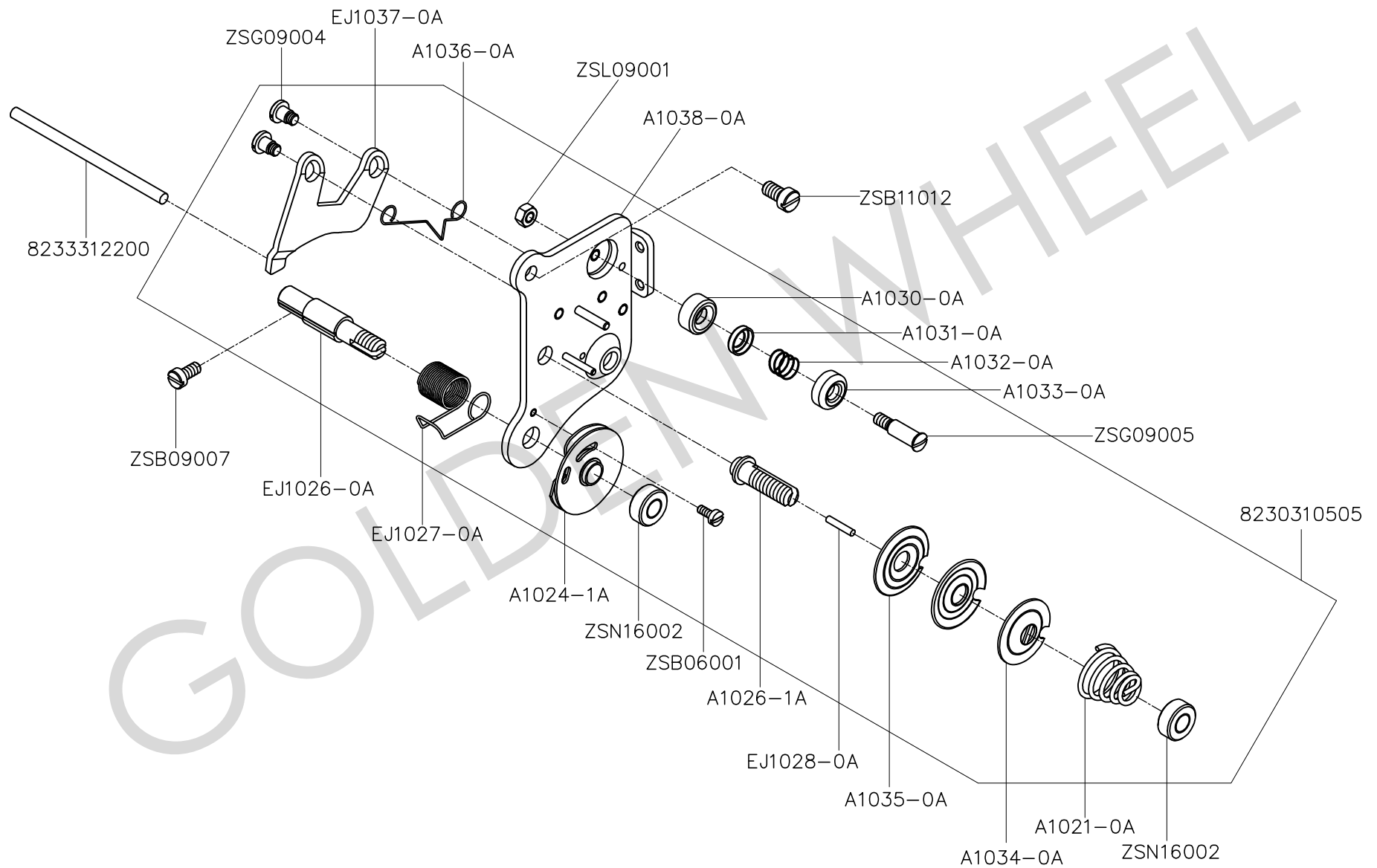
K. CS-8244S、8244L 左釜軸台關係 LEFT HOOK SADDLE MECHANISM COMPONENTS



K、CS-8244S、8244L 左釜軸台關係 LEFT HOOK SADDLE MECHANISM COMPONENTS

零件號碼 Part No	零件名稱	Name of Part	件數 Q, TY		備註 Remarks
			8244S	8244L	
8220186800	牛角	Opener	1	0	
8220187400	齒輪	Hook Shaft Gear	1	0	
8230184210	墊圈	Spacer	(1)	(1)	
8230184220	墊圈	Spacer	(1)	(1)	
8230184230	墊圈	Spacer	1	1	
8230184240	墊圈	Spacer	(1)	(1)	
8230186700	牛角滑駒	Opener Square Block	1	1	
8230186800	牛角	Opener	1	1	
8230186900	牛角案內板	Opener Guide Plate	1	1	
8230186904	牛角案內板(套)	Opener Guide Plate Asm.	1	1	
8230187400	齒輪	Hook Shaft Gear	0	1	
8230188000	釜軸套管(上)	Hook Shaft Bushing (Upper)	1	1	
8230188100	釜軸套管(下)	Hook Shaft Bushing (Lower)	1	1	
8244185900	釜台	Hook Saddle	0	1	
8244185901	釜台	Hook Saddle	1	0	
B6018-2A	滑駒鎖	Shaft	1	1	
E7006-0A	梭仔	Bobbin	1	0	
E7006-1A	梭仔	Bobbin	0	1	
SKRT31-11SG	梭頭(組)	Hook Asm.	1	0	
SKRT351-NR	梭頭(組)	Hook Asm.	0	1	
WA059007	平墊圈	Washer	2	2	
XB111002	油棉	Felt	1	1	
ZMJ05001	螺絲	Screw (M5-0.8x14)	2	2	
ZSB09011	螺絲	Screw (9/64-40x6.5)	1	1	
ZSC09026	螺絲	Screw (9/64-36x27.5)	1	1	

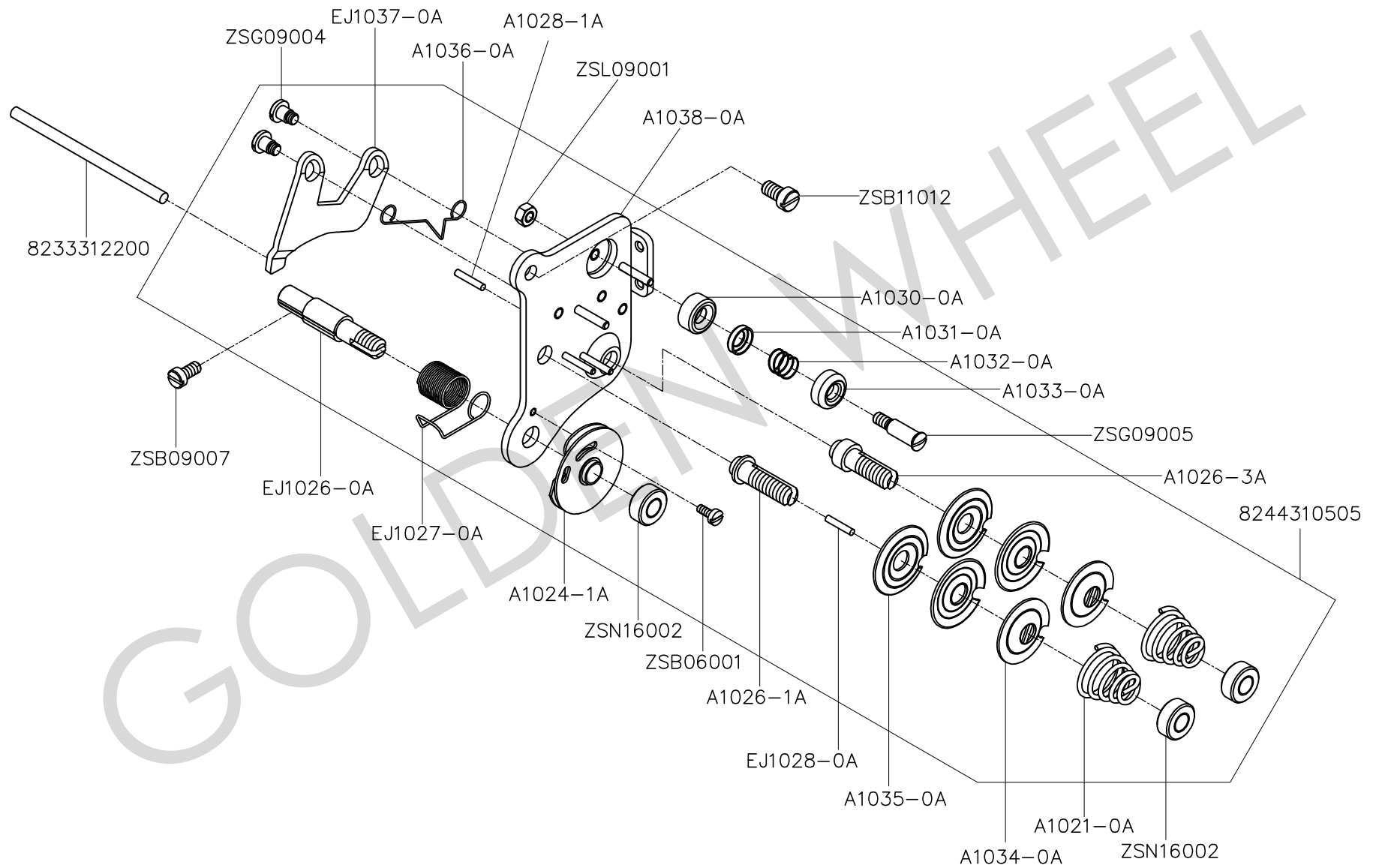
L. CS-8242、8243 縫線壓力調節關係(1/2) UPPER THREAD TENSION REGULATOR MECHANISM COMPONENTS



L、CS-8242、8243 縫線壓力調節關係(1/2)UPPER THREAD TENSION REGULATOR MECHANISM COMPONENTS

零件號碼 Part No	零件名稱	Name of Part	件數 Q, TY		備註 Remarks
			8242	8243	
8230310505	上線壓力板(組)	Thread Tension Regulator Asm.	1	1	
8233312200	緩線鎖	Tension Releasing Pin	1	1	
A1021-0A	彈簧	Tension Spring	(1)	(1)	
A1024-1A	過線盤組	Tension Controller Disk Set	(1)	(1)	
A1026-1A	壓力調節螺絲棒	Screw Tension Stud	(1)	(1)	
A1030-0A	過線孔台	Thread Guide Disk	(1)	(1)	
A1031-0A	過線孔圓盤	Thread Guide Disk	(1)	(1)	
A1032-0A	導線彈簧	Spring	(1)	(1)	
A1033-0A	過線孔內蓋	Thread Guide Bracket	(1)	(1)	
A1034-0A	線調整壓盤	Tension Regulator Presser Disk	(1)	(1)	
A1035-0A	壓力板	Tension Regulator Disk	(2)	(2)	
A1036-0A	壓板彈簧	Tension Releasing Spring	(1)	(1)	
A1038-0A	上線壓力板	Mounting Plate Asm.	(1)	(1)	
EJ1026-0A	調整螺絲棒	Tension Stud	(1)	(1)	
EJ1027-0A	彈簧	Thread Take-up Spring	(1)	(1)	
EJ1028-0A	緩線鎖	Tension Releasing Pin (Small)	(1)	(1)	
EJ1037-0A	彈簧板	Tension Releasing Plate	(1)	(1)	
ZSB06001	螺絲	Screw (3832-56x6.3)	(1)	(1)	
ZSB09007	螺絲	Screw (9/64-40x7.5)	1	1	
ZSB11012	螺絲	Screw (11/64-40x8)	1	1	
ZSG09004	螺絲	Hinge Screw	(2)	(2)	
ZSG09005	螺絲	Hinge Screw	(1)	(1)	
ZSL09001	螺帽	Nut	(1)	(1)	
ZSN16002	螺帽	Tension Thumb Nut	(2)	(2)	

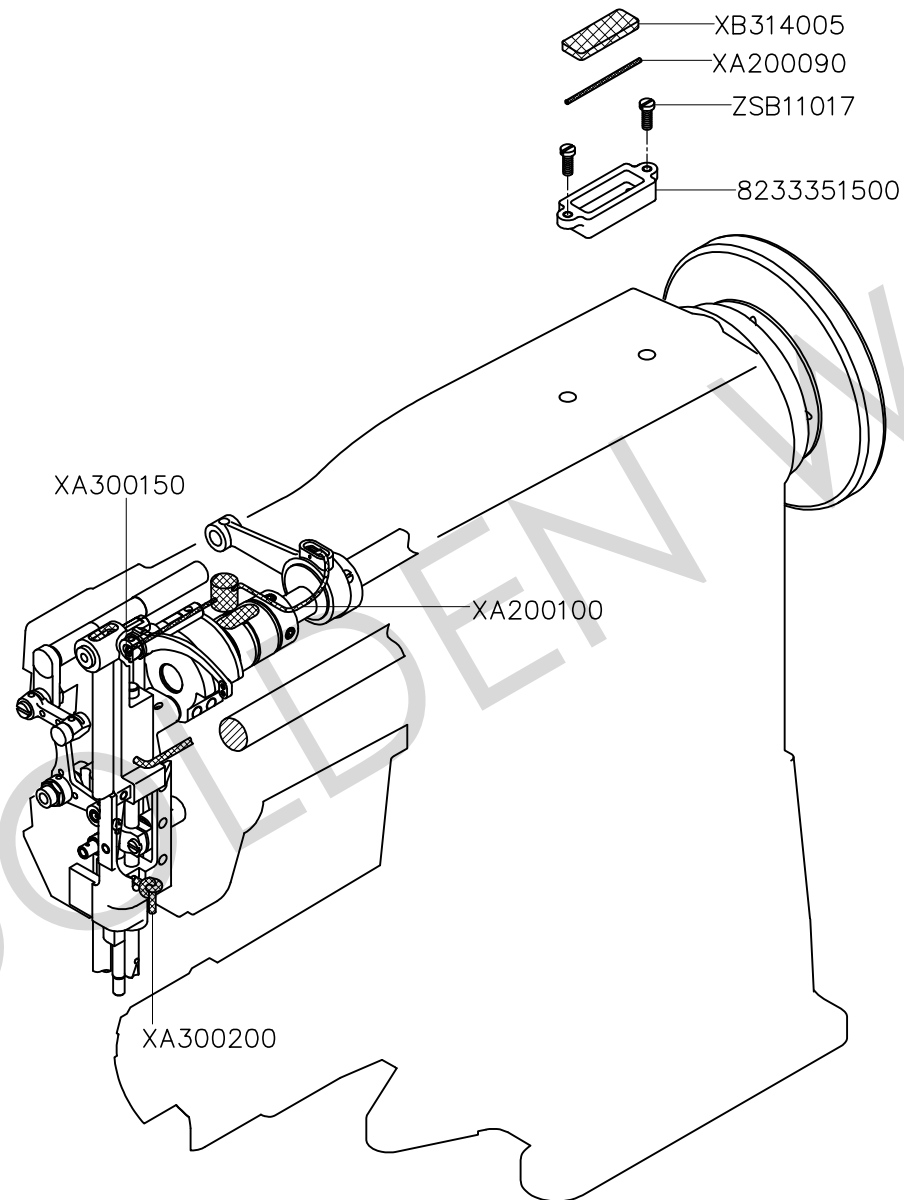
L. CS-8244S、8244L 縫線壓力調節關係(2/2) UPPER THREAD TENSION REGULATOR MECHANISM COMPONENTS



L、CS-8244S、8244L 縫線壓力調節關係(2/2)UPPER THREAD TENSION REGULATOR MECHANISM COMPONENTS

零件號碼 Part No	零件名稱	Name of Part	件數 Q, TY		備註 Remarks
			8244S	8244L	
8233312200	緩線鎖	Tension Releasing Pin	1	1	
8244310505	上線壓力板(組)	Thread Tension Regulator Asm.	1	1	
A1021-0A	彈簧	Tension Spring	(2)	(2)	
A1024-1A	過線盤組	Tension Controller Disk Set	(1)	(1)	
A1026-1A	壓力調節螺絲棒	Screw Tension Stud	(1)	(1)	
A1026-3A	壓力調節螺絲棒	Screw Tension Stud	(1)	(1)	
A1028-1A	緩線鎖	Tension Releasing Pin	(1)	(1)	
A1030-0A	過線孔台	Thread Guide Disk	(1)	(1)	
A1031-0A	過線孔圓盤	Thread Guide Disk	(1)	(1)	
A1032-0A	導線彈簧	Spring	(1)	(1)	
A1033-0A	過線孔內蓋	Thread Guide Bracket	(1)	(1)	
A1034-0A	線調整壓盤	Tension Regulator Presser Disk	(2)	(2)	
A1035-0A	壓力板	Tension Regulator Disk	(4)	(4)	
A1036-0A	壓板彈簧	Tension Releasing Spring	(1)	(1)	
A1038-0A	上線壓力板	Mounting Plate Asm.	(1)	(1)	
EJ1026-0A	調整螺絲棒	Tension Stud	(1)	(1)	
EJ1027-0A	彈簧	Thread Take-up Spring	(1)	(1)	
EJ1028-0A	緩線鎖	Tension Releasing Pin (Small)	(1)	(1)	
EJ1037-0A	彈簧板	Tension Releasing Plate	(1)	(1)	
ZSB06001	螺絲	Screw (3832-56x6.3)	(1)	(1)	
ZSB09007	螺絲	Screw (9/64-40x7.5)	1	1	
ZSB11012	螺絲	Screw (11/64-40x8)	1	1	
ZSG09004	螺絲	Hinge Screw	(2)	(2)	
ZSG09005	螺絲	Hinge Screw	(1)	(1)	
ZSL09001	螺帽	Nut	(1)	(1)	
ZSN16002	螺帽	Tension Thumb Nut	(3)	(3)	

M. CS-8242、8243 油潤滑關係 OIL LUBRICATION MECHANISM COMPONENTS
8244S、8244L

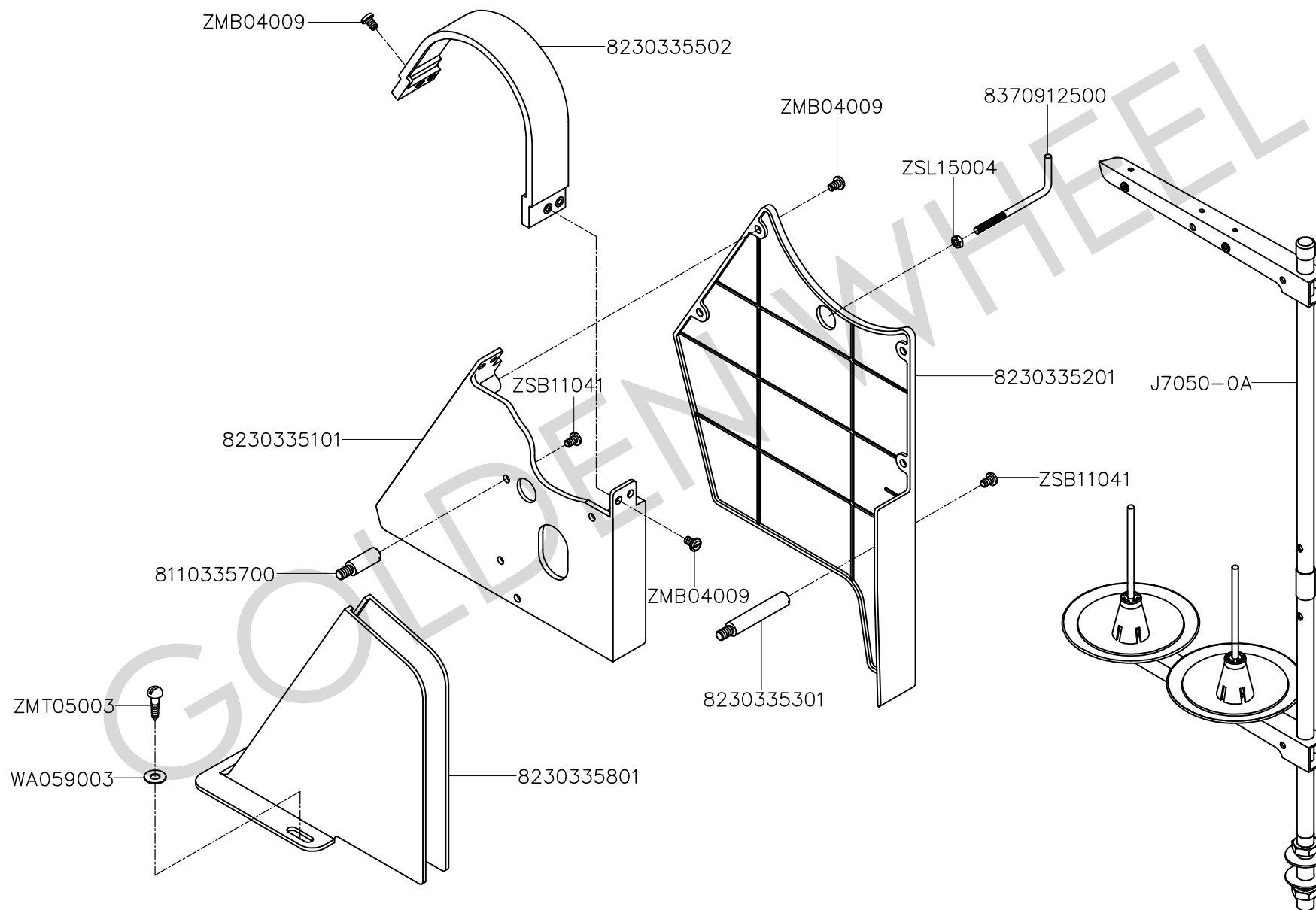


M、CS-8242、8243 油潤滑關係 OIL LUBRICATION MECHANISM COMPONENTS
 CS-8244S、8244L

零件號碼 Part No	零件名稱	Name of Part	件數 Q, TY				備註 Remarks
			8242	8243	8244S	8244L	
8233351500	油槽 -----	Oil Reservoir -----	1	1	1	1	
XA200090	油線 -----	Oil Wick -----	1	1	1	1	
XA200100	油線 -----	Oil Wick -----	1	1	1	1	
XA300150	油線 -----	Oil Wick -----	1	1	1	1	
XA300200	油線 -----	Oil Wick -----	1	1	1	1	
XB314005	油棉 -----	Felt -----	1	1	1	1	
ZSB11017	螺絲 -----	Screw (11/64-40x12) -----	2	2	2	2	

GOLDEN WHEEL

N. CS-8242、8243 附件關係(1/2) ACCESSORIES(1/2)
8244S、8244L



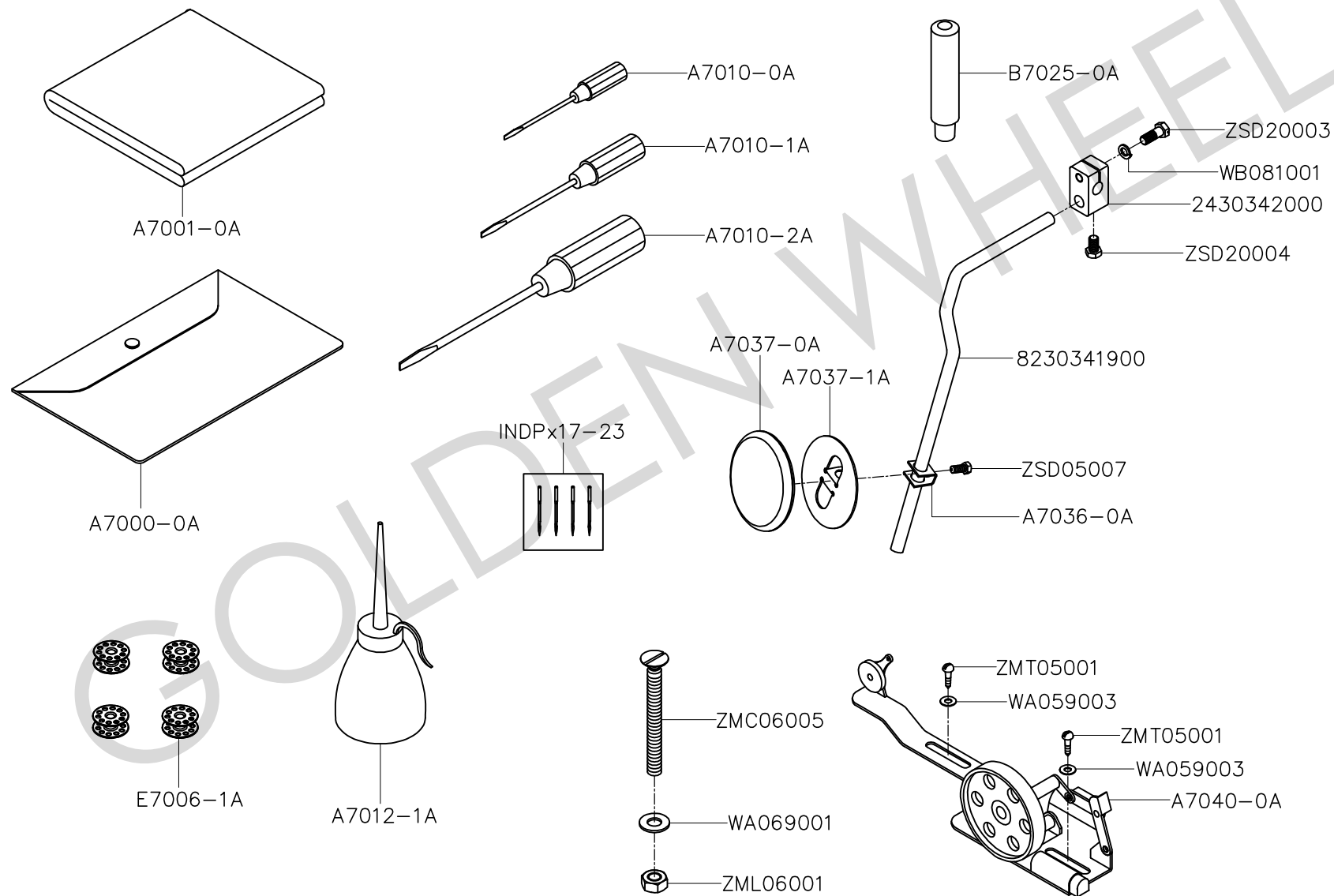
N、CS-8242、8243 附件關係(1/2) ACCESSORIES (1/2)

CS-8244S、8244L

零件號碼 Part No	零件名稱	Name of Part	件數 Q, TY				備註 Remarks
			8242	8243	8244S	8244L	
8110335700	皮帶蓋固定螺絲(A) -----	Belt Cover Stud (A) -----	3	3	3	3	
8230335101	皮帶蓋 A -----	Belt Cover A -----	1	1	1	1	
8230335201	皮帶蓋 B -----	Belt Cover B -----	1	1	1	1	
8230335301	皮帶蓋固定螺絲(B) -----	Belt Cover Stud (B) -----	1	1	1	1	
8230335502	皮帶蓋 C -----	Belt Cover C -----	1	1	1	1	
8230335801	皮帶蓋 D -----	Belt Cover D -----	1	1	1	1	
8370912500	檢出器定位銷 -----	Synchronizer Holder Stud -----	(1)	(1)	(1)	(1)	
J7050-0A	線架 -----	Thread Stand -----	1	1	1	1	
WA059003	平墊圈 -----	Washer -----	2	2	2	2	
ZMB04009	螺絲 -----	Screw (M4-0.7x6) -----	8	8	8	8	
ZMT05003	木螺絲 -----	Wood Screw -----	2	2	2	2	
ZSB11041	螺絲 -----	Screw (11/64-40x7) -----	4	4	4	4	
ZSL15004	螺帽 -----	Nut -----	(1)	(1)	(1)	(1)	

GOLDEN

N. CS-8242、8243 附件關係(2/2) ACCESSORIES (2/2)
8244S、8244L



N、CS-8242、8243 附件關係(2/2) ACCESSORIES (2/2)

CS-8244S、8244L

零件號碼 Part No	零件名稱	Name of Part	件數 Q, TY				備註 Remarks
			8242	8243	8244S	8244L	
2430342000	連接器	Knee Lifter Crank	1	1	1	1	
8230341900	腳弓曲桿	Knee Lever Rod	1	1	1	1	
A7000-0A	工具袋	Accessory Box	1	1	1	1	
A7001-0A	車頭蓋	Cover	1	1	1	1	
A7010-0A	螺絲起子(小)	Screw Driver (Small)	1	1	1	1	
A7010-1A	螺絲起子(中)	Screw Driver (Middle)	1	1	1	1	
A7010-2A	螺絲起子(大)	Screw Driver (Large)	1	1	1	1	
A7012-1A	油壺(中)	Oilier	1	1	1	1	
A7036-0A	固定支架	Retainer	1	1	1	1	
A7037-0A	腳弓大餅	Knee Guard	1	1	1	1	
A7037-1A	腳弓餅支架	Knee Plate	1	1	1	1	
A7040-0A	捲線器組	Bobbin Winder	1	1	1	1	
B7025-0A	枕木	Arm Support	1	1	1	1	
E7006-1A	梭仔	Bobbin	4	4	4	4	
INDPx17-23	針	Needle DPx17-23	4	4	4	4	
WA059003	平墊圈	Washer	2	2	2	2	
WA069001	平墊圈	Washer	4	4	4	4	
WB081001	彈簧墊圈	Spring Washer	1	1	1	1	
ZMC06005	螺絲	Screw (M6-1.0x70)	4	4	4	4	
ZML06001	螺帽	Nut	4	4	4	4	
ZMT05001	木螺絲	Wood Screw	2	2	2	2	
ZSD15007	螺絲	Screw (15/64-28x14)	1	1	1	1	
ZSD20003	螺絲	Screw (5/16-24x21)	1	1	1	1	
ZSD20004	螺絲	Screw (5/16-24x13)	1	1	1	1	

0、CSU-8242、8243、8244S、8244L 零件號碼與頁數對照 NUMERICAL PARTS-LIST

零件號碼 PARTS NO.	頁數 PAGE	零件號碼 PARTS NO.	頁數 PAGE	零件號碼 PARTS NO.	頁數 PAGE	零件號碼 PARTS NO.	頁數 PAGE	零件號碼 PARTS NO.	頁數 PAGE
2430342000	40	8230143800	16	8230167800	22	8230341700	18	8243160800	20
4710113000	6	8230150401	16	8230167900	22	8230341800	18	8243270300	10
6120117000	6	8230151000	14	8230168700	22	8230341900	40	8243270800	12
6120122300	8	8230160200	20	8230170900	26	8230342000	18	8243271000	12
6120164300	24	8230160404	20	8230180101	26	8230342201	18	8243271200	12
8110120200	8	8230160600	20	8230180300	26	8230342400	18	8243271400	12
8110120300	8	8230160700	20	8230180400	26	8230342801	18	8243272800	12
8110335700	38	8230160900	22	8230180500	26	8230343001	18	8243272900	12
8220111300	2	8230161000	22	8230184210	28, 30	8230343200	18	8244110300	4
8220186000	28	8230161100	24	8230184220	28, 30	8233110900	2, 4	8244111200	4
8220186800	28, 30	8230161200	24	8230184230	28, 30	8233111000	2, 4	8244114800	4
8220187400	28, 30	8230161400	20	8230184240	28, 30	8233143601	14	8244142800	16
8230110300	6	8230161500	24	8230186000	28	8233143700	2, 4	8244160400	20
8230110600	2	8230161800	24	8230186005	28	8233144400	8	8244160500	20
8230111200	2	8230162800	24	8230186700	28, 30	8233144501	8	8244180100	26
8230111300	2	8230163400	24	8230186800	28, 30	8233144702	14	8244185900	30
8230111600	2	8230163500	24	8230186900	28, 30	8233144801	14	8244185901	30
8230111604	2	8230163801	20	8230186904	28, 30	8233145101	14	8244186000	28
823011160A	2	8230163901	20	8230187300	26	8233147200	14	8244186001	28
8230114203	14	8230164100	24	8230187400	28, 30	8233150200	16	8244190100	10
8230115100	2	8230164105	24	8230188000	28, 30	8233150500	16	8244310505	34
8230115200	2	8230165100	24	8230188100	28, 30	8233151900	14	8244GA0064	4
8230120100	8	8230165200	24	8230190102	10	8233152000	14	8244GA1064	4
8230122000	22	8230166000	24	8230310505	32	8233312200	32, 34	8244GB0064	20
8230130800	8	8230166300	20	8230335101	38	8233340400	16	8244GC0064	14
8230130900	26	8230166301	20	8230335201	38	8233343000	16	8244GE0024	4
8230130905	26	8230167000	22	8230335301	38	8233344000	16	8244GE0064	4
8230131000	8	8230167100	22	8230335502	38	8233351500	36	8244GE1024	4
8230131200	26	8230167200	22	8230335801	38	8243141800	10	8244GF0024	4
8230131300	26	8230167500	20	8230340200	16	8243141900	14	8244GF0064	4
8230132400	26	8230167700	22	8230341600	18	8243152200	14	8244GF1024	4

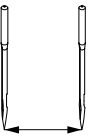
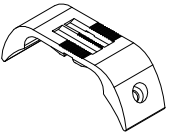
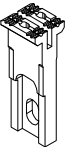
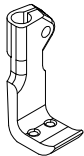
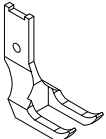
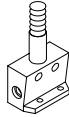
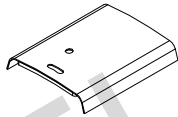
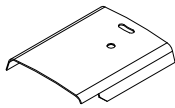
0、CSU-8242、8243、8244S、8244L 零件號碼與頁數對照 NUMERICAL PARTS-LIST

零件號碼 PARTS NO.	頁數 PAGE	零件號碼 PARTS NO.	頁數 PAGE	零件號碼 PARTS NO.	頁數 PAGE	零件號碼 PARTS NO.	頁數 PAGE	零件號碼 PARTS NO.	頁數 PAGE
8370912500	38	B1050-0A	2, 4	EJ1070-0A	10	L4110-0B	6	XB205001	26
8703145000	14	B1076-0A	10	EJ1070-1A	10	L4111-0B	2, 4	XB206003	10, 22
A1013-1B	6	B1130-0A	8	EJ1074-0A	10	OAGM111503	14	XB207002	8
A1021-0A	32, 34	B1274-0A	16	EJ1075-081A	10	Q1012-1A	6	XB210001	8
A1024-1A	32, 34	B1283-0A	14	EJ1080-0A	8	RB200260	8	XB308001	2, 4
A1026-1A	32, 34	B1321-0A	8, 26	EJ1081-0A	10	RE000025	26	XB314005	36
A1026-3A	34	B4121-0A	26	EJ1090-0A	10	RE000100	18	XB320008	20
A1028-1A	34	B4122-0A	26	EJ1091-0A	10	SKRT31-11SG	28, 30	XB400029	6
A1030-0A	32, 34	B4135-0A	26	EJ1106-0A	8	SKRT351-NR	28, 30	YA030100	4
A1031-0A	32, 34	B6018-2A	28, 30	EJ1106-1A	8	WA049002	24	YB040025	12
A1032-0A	32, 34	B6058-1A	20	EJ1180-0A	16	WA059003	38, 40	YC016012	26
A1033-0A	32, 34	B7025-0A	40	EJ1200-0A	16	WA059007	28, 30	YD060024	2, 4
A1034-0A	32, 34	C1052-0A	2	EJ1280-0A	14	WA069001	40	ZMB04009	38
A1035-0A	32, 34	C1054-0A	2, 4	EJ1332-0A	12	WB041002	4	ZMC06005	40
A1036-0A	32, 34	C1055-0A	2, 4	EJ1333-0A	12	WB081001	40	ZMG06019	14
A1038-0A	32, 34	C1061-0A	10	EJ1334-0A	12	WG000010	24	ZMG07001	2, 4, 6
A1051-0A	2, 4	C1062-1A	10	EJ4109-0A	6	WH206009	14	ZMH06003	18
A1103-0A	8	C1174-0A	24	EJ4131-0A	26	XA200030	26	ZMJ05001	28, 30
A1104-0A	8	E1158-0A	24	EJ4132-0A	26	XA200035	26	ZMK08002	2, 4
A1107-0A	8	E1171-2A	24	EJ4133-0A	26	XA200090	36	ZML06001	14, 40
A1130-0A	22	E1172-2A	24	EJ4134-1A	26	XA200100	36	ZML06002	2, 4
A7000-0A	40	E1173-2A	24	EJ4137-0A	26	XA250032	22	ZMT05001	40
A7001-0A	40	E1174-2A	24	EJ4138-0A	26	XA300030	10	ZMT05003	38
A7010-0A	40	E7006-0A	28, 30	EJ4434-2A	16	XA300040	10	ZSA09007	22
A7010-1A	40	E7006-1A	28, 30, 40	F1063-0A	2, 4	XA300065	8	ZSA11004	2, 4, 26
A7010-2A	40	EJ1014-0A	2, 4	H4014-0A	20	XA300080	10	ZSA14001	26
A7012-1A	40	EJ1017-0A	2, 4	H4094-0A	26	XA300150	36	ZSA15001	20, 22
A7036-0A	40	EJ1026-0A	32, 34	INDPx17-23	10, 40	XA300200	10, 36	ZSA15012	10
A7037-0A	40	EJ1027-0A	32, 34	J1041-0A	2, 4	XB111002	28, 30	ZSA15017	10, 22
A7037-1A	40	EJ1028-0A	32, 34	J1052-0A	4	XB114001	6	ZSA15020	8, 16, 24
A7040-0A	40	EJ1037-0A	32, 34	J7050-0A	38	XB204001	20	ZSA15021	26

0、CSU-8242、8243、8244S、8244L 零件號碼與頁數對照 NUMERICAL PARTS-LIST

零件號碼 PARTS NO.	頁數 PAGE	零件號碼 PARTS NO.	頁數 PAGE	零件號碼 PARTS NO.	頁數 PAGE	零件號碼 PARTS NO.	頁數 PAGE	零件號碼 PARTS NO.	頁數 PAGE
ZSA15022	12	ZSB11091	26	ZSD20003	40				
ZSA15028	22, 24, 26	ZSB11162	4	ZSD20004	40				
ZSA15034	12	ZSB12006	2, 4	ZSF32001	16				
ZSA16010	8, 20	ZSB12007	24	ZSG09002	24				
ZSA16025	8	ZSB12012	22, 24	ZSG09004	32, 34				
ZSA17004	8	ZSB12030	2, 4	ZSG09005	32, 34				
ZSA17009	8	ZSB12045	12	ZSG12014	24				
ZSA17013	8	ZSB15006	24	ZSG12051	16				
ZSB06001	32, 34	ZSB15009	2, 4	ZSG12054	22				
ZSB06002	10	ZSB15010	2, 4	ZSG15044	18				
ZSB08002	10	ZSB15015	18	ZSG16006	16				
ZSB08009	20	ZSB15026	8	ZSG16028	20				
ZSB09003	16	ZSB15027	18	ZSG18005	20				
ZSB09005	2, 4	ZSB15032	20, 24	ZSG20004	16				
ZSB09007	32, 34	ZSB15041	22	ZSH15002	8				
ZSB09011	2, 4, 28, 30	ZSB16001	26	ZSH16001	26				
ZSB09017	24	ZSB18001	8	ZSH16004	22				
ZSB09027	10	ZSB18002	8	ZSH16007	8				
ZSB09032	10	ZSB20014	6	ZSJ15005	12				
ZSB11007	20	ZSB20017	14	ZSK12026	16				
ZSB11010	10, 16	ZSC06005	10	ZSK16002	14				
ZSB11012	32, 34	ZSC08009	20	ZSL09001	32, 34				
ZSB11017	36	ZSC09008	2, 4	ZSL12005	22				
ZSB11019	10	ZSC09009	2, 4	ZSL15002	18				
ZSB11022	6	ZSC09021	2, 4	ZSL15004	38				
ZSB11035	20	ZSC09026	28, 30	ZSL16001	14				
ZSB11038	20	ZSC11001	4	ZSL16005	20				
ZSB11041	38	ZSD15001	18	ZSL18003	20				
ZSB11046	14	ZSD15007	40	ZSN16002	32, 34				
ZSB11057	2	ZSD15009	18	ZSN32001	16				
ZSB11062	2	ZSD16007	14						

P. CS-8244S / 8244L 針位組詳表

	 針距 GAUGE SIZE	 針板 THROAT PLATE	 送料齒 FEED DOG	 中押腳 PRESSER FOOT	 外押腳 PRESSER FOOT	 針鐺 NEEDLE CLAMP	 角板(左) SLIDE PLATE (L)	 角板(右) SLIDE PLATE (R)
8244S (小釜)	3/32(2.38mm)	8244GA1024	8244GB0024	8244GC0024	EJ1235-031B	8244GD0024	8244GE0064	8244GF0064
	1/8(3.2mm)	8244GA1032	8244GB0032	8244GC0032	EJ1235-041A	EJ1075-041A	8244GE0064	8244GF0064
	1/4(6.4mm)	8244GA1064	8244GB0064	8244GC0064	8244143800	EJ1075-081A	8244GE0064	8244GF0064
	5/16(8mm)	8244GA1080	8244GB0080	8244GC0080	EJ1235-101A	EJ1075-101A	8244GE0064	8244GF0064
	3/8(9.5mm)	8244GA1095	8244GB0095	8244GC0095	EJ1235-121A	EJ1075-121A	8244GE0064	8244GF0064
	1/2(12.7mm)	8244GA1127	8244GB0127	8244GC0127	EJ1235-161A	EJ1075-161A	8244GE0064	8244GF0064
8244L (大釜)	3/32(2.38mm)	8244GA0024	8244GB0024	8244GC0024	EJ1235-031B	8244GD0024	8244GE0064	8244GF0064
	1/8(3.2mm)	8244GA0032	8244GB0032	8244GC0032	EJ1235-041A	EJ1075-041A	8244GE0064	8244GF0064
	1/4(6.4mm)	8244GA0064	8244GB0064	8244GC0064	8244143800	EJ1075-081A	8244GE0064	8244GF0064
	5/16(8mm)	8244GA0080	8244GB0080	8244GC0080	EJ1235-101A	EJ1075-101A	8244GE0064	8244GF0064
	3/8(9.5mm)	8244GA0095	8244GB0095	8244GC0095	EJ1235-121A	EJ1075-121A	8244GE0064	8244GF0064
	1/2(12.7mm)	8244GA0127	8244GB0127	8244GC0127	EJ1235-161A	EJ1075-161A	8244GE0064	8244GF0064