

NO : 8911A01

金輪牌工業用縫紉機

GOLDEN WHEEL INDUSTRIAL SEWING MACHINE

零件分解圖

PARTS BOOK

MODEL: CS-8911
CS-8911S

啟翔股份有限公司
CHEE SIANG INDUSTRIAL CO., LTD.

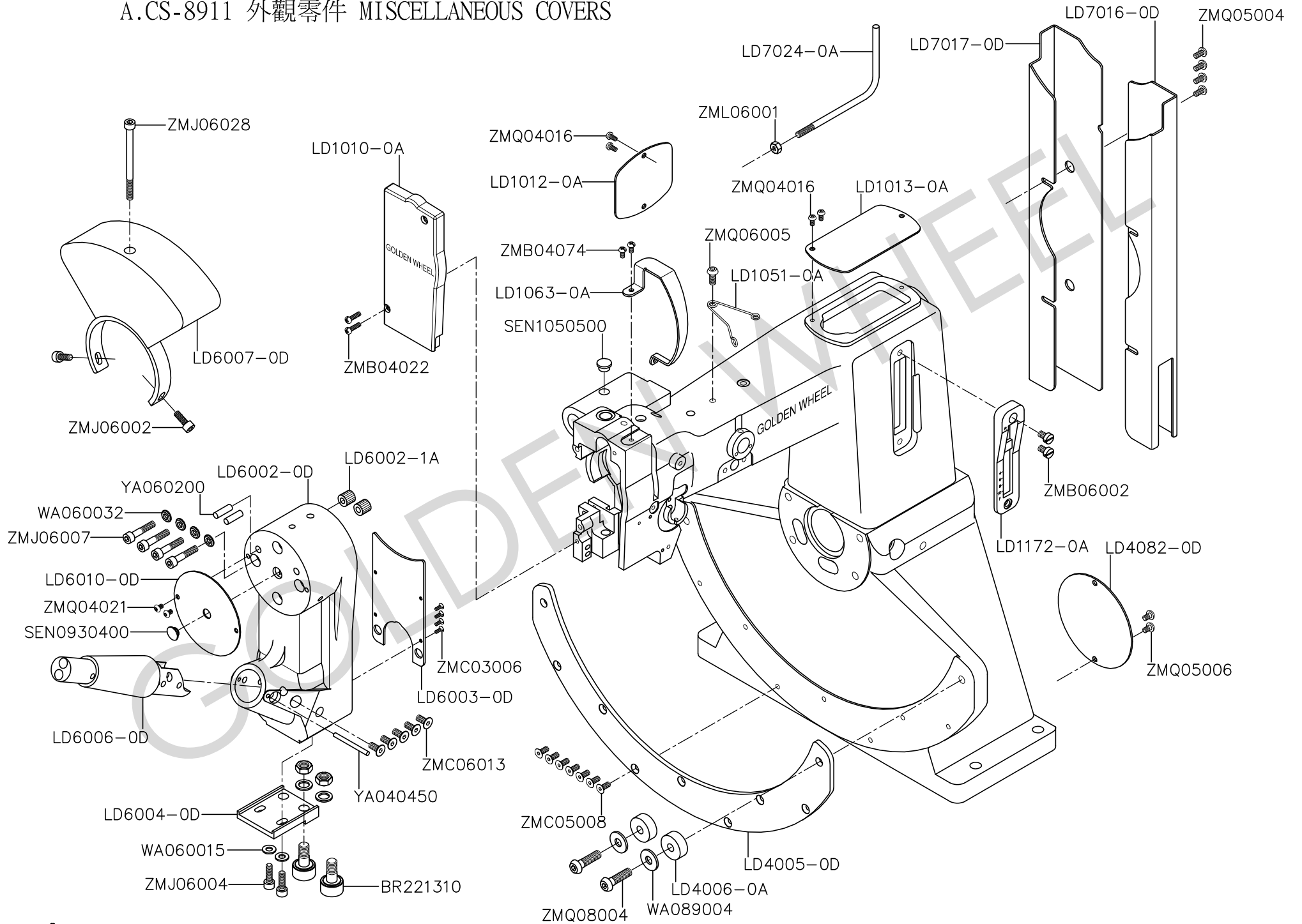
MODEL : CS-8911

索引	INDEX	PAGE
A、外觀零件 -----	MISCELLANEOUS COVERS -----	2-3
B、上軸機構 -----	UPPER SHAFT MECHANISM -----	4-5
C、針棒座、天秤機構 -----	NEEDLE BAR FRAME & THREAD TAKE-UP MECHANISM -----	6-7
D、縫線壓力調整機構 -----	THREAD TENSION REGULATION MECHANISM -----	8-9
E、押腳機構 -----	PRESSER LIFT MECHANISM -----	10-11
F、搖臂軸機構 -----	SWINGING SHAFT MECHANISM -----	12-13
G、梭頭定位機構 -----	HOOK POSITIONING MECHANISM -----	14-15
H、腳架組件 -----	STAND COMPONENTS -----	16-17
I、附件 -----	ACCESSORIES -----	18-19
J、零件號碼與頁數對照表 ---	NUMERICAL PARTS-LIST -----	20-22

專用件標記說明 Exclusive Parts Identification Symbol

(S)	CS-8911S 用	For CS-8911S
-----	------------	--------------

A.CS-8911 外觀零件 MISCELLANEOUS COVERS



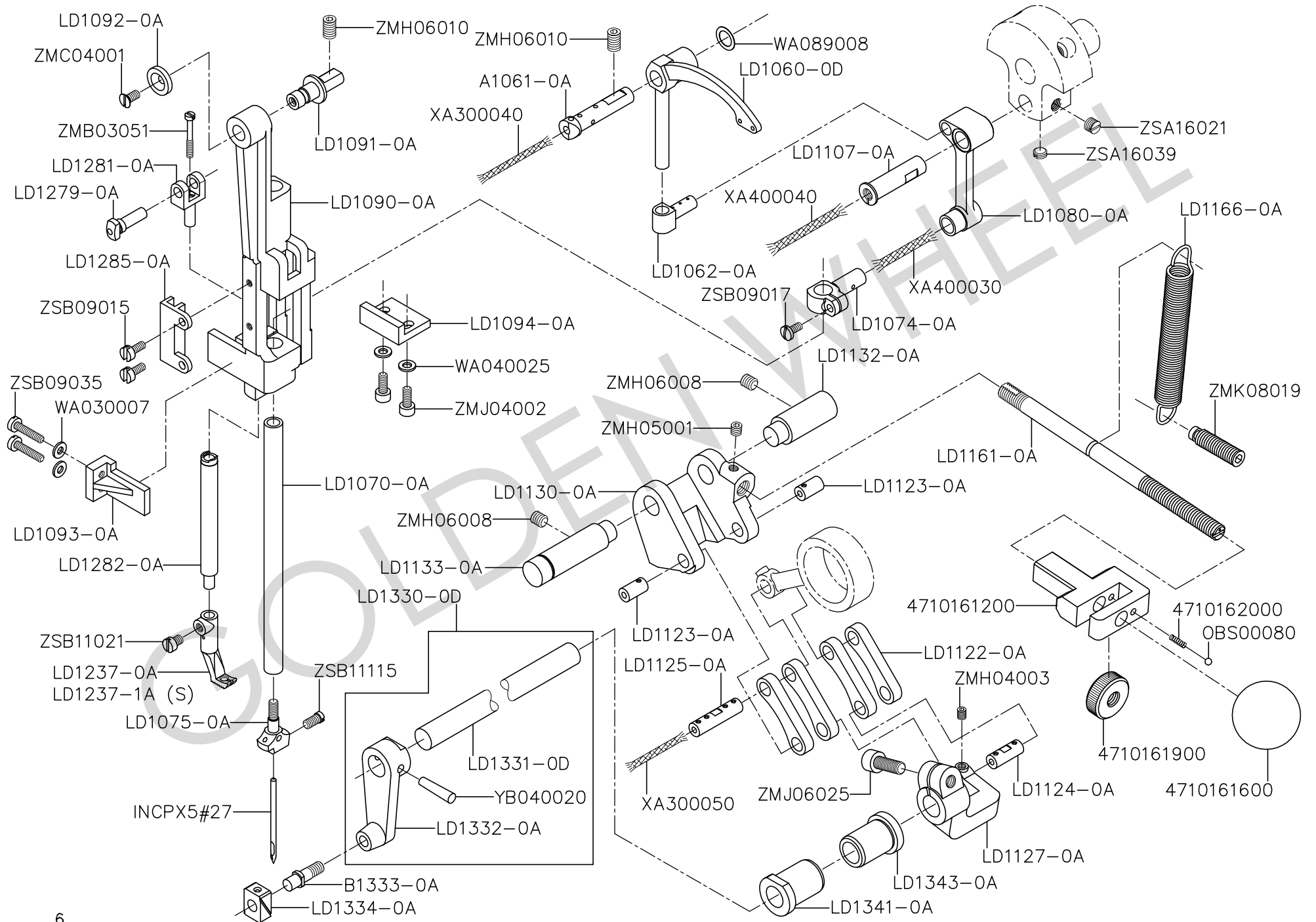
A. CS-8911 外觀零件 MISCELLANEOUS COVERS

零件號碼 Part No.	零件名稱	Name of Part	件數 Q'TY	零件號碼 Part No.	零件名稱	Name of Part	件數 Q'TY	備註 Remarks
BR221310	帶柄軸承	Roller Bearing	2	WA060015	墊圈	Washer	2	
LD1010-0A	面板蓋	Face Plate Cover	1	WA060032	墊圈	Washer	4	
LD1012-0A	後蓋板	Back Cover	1	WA089004	墊圈	Washer	2	
LD1013-0A	上蓋板	Top Cover	1	YA040450	銷	Pin	1	
LD1051-0A	線掛	Thread Guide	1	YA060200	銷	Pin	2	
LD1063-0A	天秤蓋	Thread Take-up Cover	1	ZMB04022	螺絲	Screw (M4-0.7x15)	2	
LD1172-0A	刻度板	Graduation Plate	1	ZMB04074	螺絲	Screw (M4-0.7x8)	2	
LD4005-0D	滾輪導軌	Roller Rail	1	ZMB06002	螺絲	Screw (M6-1.0x10)	2	
LD4006-0A	緩衝墊	Rubber Cushion	2	ZMC03006	螺絲	Screw (M3-0.5x6.5)	4	
LD4082-0D	底座後蓋板	Base Back Cover	1	ZMC05008	螺絲	Screw (M5-0.8x12)	7	
LD6002-0D	旋轉臂	Swing Arm	1	ZMC06013	螺絲	Screw (M6-1.0x14)	5	
LD6002-1A	銷孔套管	Bushing	2	ZMJ06002	螺絲	Screw (M6-1.0x15)	2	
LD6003-0D	搖臂蓋板	Swing Arm Cover	1	ZMJ06004	螺絲	Screw (M6-1.0x20)	2	
LD6004-0D	搖臂滾輪座	Roller Bracket	1	ZMJ06007	螺絲	Screw (M6-1.0x32)	4	
LD6006-0D	旋轉柄	Swing Handle	1	ZMJ06028	螺絲	Screw (M6-1.0x85)	1	
LD6007-0D	配重塊組	Counterweight Asm.	1	ZML06001	螺帽	Nut	1	
LD6010-0D	搖臂軸蓋板	Swing Arm Cover	1	ZMQ04016	螺絲	Screw (M4-0.7x8)	4	
LD7016-0D	皮帶蓋(左)	Belt Cover (Left)	1	ZMQ04021	螺絲	Screw (M4-0.7x6)	2	
LD7017-0D	皮帶蓋(右)	Belt Cover (Right)	1	ZMQ05004	螺絲	Screw (M5-0.8x10)	4	
LD7024-0A	定位棒	Positioning Bar	1	ZMQ05006	螺絲	Screw (M5-0.8x8)	2	
SEN0930400	橡膠塞	Rubber Plug	1	ZMQ06005	螺絲	Screw (M6-1.0x14)	1	
SEN1050500	橡膠塞	Rubber Plug	1	ZMQ08004	螺絲	Screw (M8-1.25x30)	2	

B. CS-8911 上軸機構 UPPER SHAFT MECHANISM

零件號碼 Part No.	零件名稱 Name of Part	件數 Q'TY	零件號碼 Part No.	零件名稱 Name of Part	件數 Q'TY	備註 Remarks
A1130-0A	油棉固定彈簧 - Spring	1	RB200200	C扣環 - C-Ring	2	
BB6003ZZ	軸承 - Bearing	1	RB200250	C扣環 - C-Ring	1	
BB6003ZZNR	軸承 - Bearing	1	WC280001	盤形墊圈 - Washer	3	
BB6004ZZNR	軸承 - Bearing	1	WH225001	墊圈 - Washer	1	
BB6203ZZNR	軸承 - Bearing	1	XB206003	油棉 - Felt	1	
BN252913	滾針軸承 - Needle Bearing	1	YA080300A	銷 - Pin	1	
LD1100-0D	上軸 - Upper Shaft	1	ZMA07001	螺絲 - Screw (M7-1.0x16.5)	1	
LD1102-0A	上軸中套管 - Upper Shaft Bushing (Middle)	1	ZMB07001	螺絲 - Screw (M7-1.0x21)	1	
LD1103-0A	上軸套管 - Upper Shaft Bushing	1	ZMH04003	螺絲 - Screw (M4-0.7x5)	1	
LD1105-0A	手輪 - Hand Wheel	1	ZMH06002	螺絲 - Screw (M6-1.0x7.5)	10	
LD1106-0D	平衡凸輪 - Crank Cam	1	ZMH06005	螺絲 - Screw (M6-1.0x12)	2	
LD1116-0A	送料偏心輪 - Feed Eccentric	1	ZMH08004	螺絲 - Screw (M8-1.25x16)	2	
LD1121-0A	送料驅動連桿 - Feed Driving Link	1	ZMH08006	螺絲 - Screw (M8-1.25x)	2	
LD1297-0A	連桿 - Connector	1				
LD1298-0A	上下交換偏心輪 - Up-down Alternating Eccentric	1				
LD1319-0A	皮帶輪微調座 - Pulley Adjusting Base	1				
LD1320-0A	上軸皮帶輪 - Upper Shaft Pulley	1				
LD1322-0D	齒形皮帶輪 - Timing Belt Pulley	1				
LD1488-0A	鬆線凸輪 - Tension Releasing Cam	1				
LD1820-0A	皮帶輪軸套 - Pulley Bushing	1				
LD1821-0A	皮帶輪墊片(一) - Disk (1)	1				
LD1822-0A	皮帶輪墊片(二) - Disk (2)	2				
LD1823-0A	皮帶輪墊片(三) - Disk (3)	2				
LD1825-0A	調整螺帽 - Adjusting Nut	1				

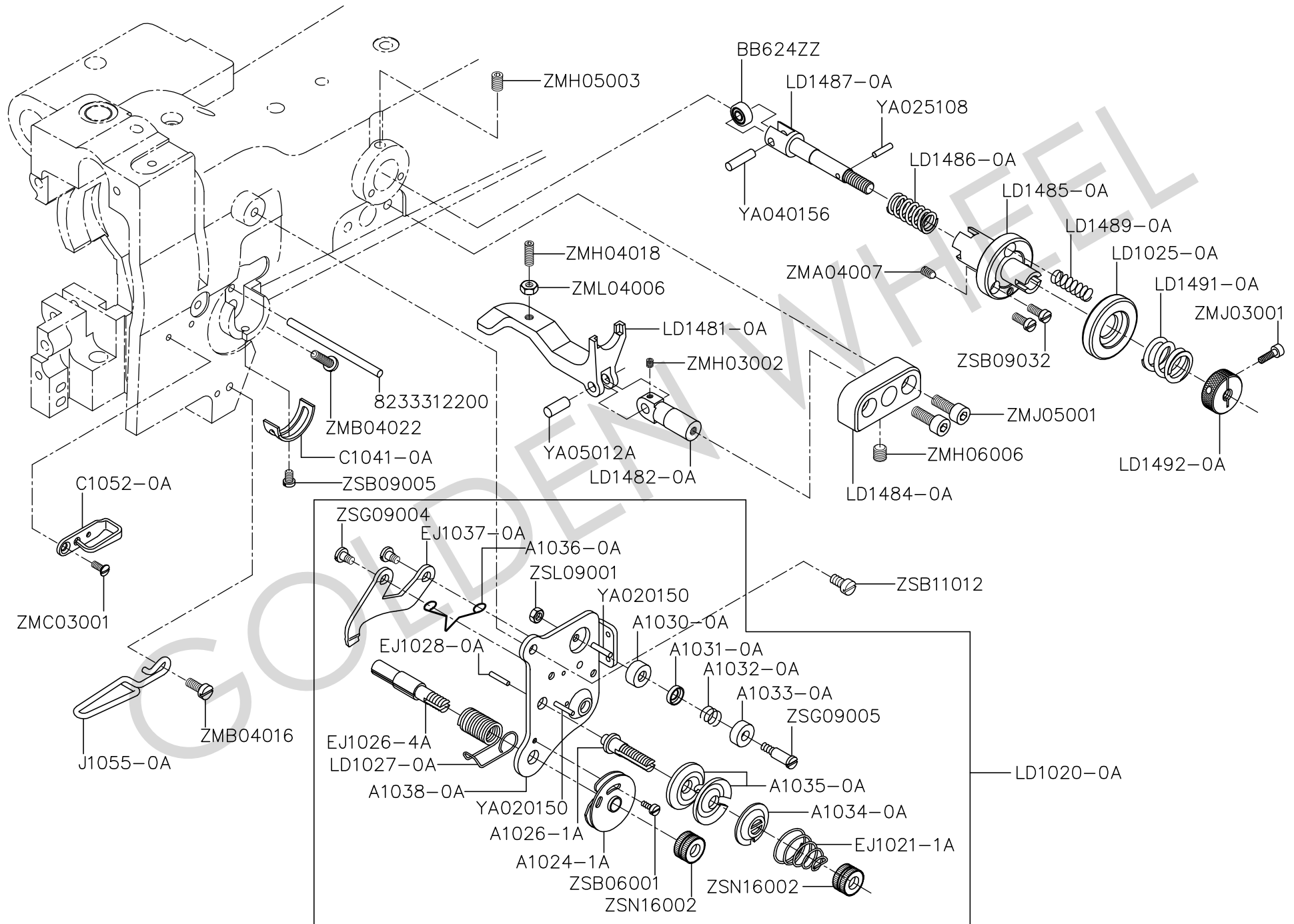
C.CS-8911 針棒座.天秤機構 NEEDLE BAR FRAME & THREAD TAKE-UP MECHANISM



C. CS-8911 針棒座、天秤機構 NEEDLE BAR FRAME & THREAD TAKE-UP MECHANISM

零件號碼 Part No.	零件名稱	Name of Part	件數 Q'TY	零件號碼 Part No.	零件名稱	Name of Part	件數 Q'TY	備註 Remarks
4710161200	倒針槓桿	Stitch Lever	1	LD1282-0A	押腳棒	Presser Bar	1	
4710161600	調節槓握	Lever Grip	1	LD1285-0A	內押腳導槽	Walking Presser Guide	1	
4710161900	螺帽	Nut	1	LD1330-0D	針棒座搖動軸組	Needle Bar Frame Shaft Asm	1	
4710162000	壓縮彈簧	Spring	1	LD1331-0D	針棒座搖桿軸	Needle Bar Frame Shaft	1	
A1061-0A	天秤心	Take-up Lever Support Stud	1	LD1332-0A	針棒座搖動臂	Needle Bar Frame Arm	1	
B1333-0A	針棒擺動滑塊軸	Needle Bar Rock Frame Slide Block	1	LD1334-0A	針棒座擺動滑塊	Needle Bar Frame Guiding Block	1	
INCPX5#27	針	Needle	1	LD1341-0A	針棒搖動軸套管(前)	Needle Bar Frame Shaft Bushing	1	
LD1060-0D	天秤	Thread Take-up Lever	1	LD1343-0A	針棒搖動軸套管(後)	Needle Bar Frame Shaft Bushing	1	
LD1062-0A	天秤滑塊	Take-up Slide Block	1	OBS00080	鋼球	Ball	1	
LD1070-0A	針棒	Needle Bar	1	WA030007	墊片	Washer	2	
LD1074-0A	針棒固定軸	Needle Bar Holder	1	WA040025	墊片	Washer	2	
LD1075-0A	針鉗	Needle Clamp	1	WA089008	墊片	Washer	1	
LD1080-0A	針棒連桿	Needle Bar Link	1	XA300040	油線	Oil Wick	1	
LD1090-0A	針棒座	Needle Bar Frame	1	XA300050	油線	Oil Wick	1	
LD1091-0A	針棒座支軸	Needle Bar Frame Shaft	1	XA400030	油線	Oil Wick	1	
LD1092-0A	針棒座支軸端蓋	Needle Bar Frame Shaft Cover	1	XA400040	油線	Oil Wick	1	
LD1093-0A	針棒座導板(左)	Needle Bar Frame Guide Plate(Left)	1	YB040020	推拔銷	Tapered Pin	1	
LD1094-0A	針棒座導板(右)	Needle Bar Frame Guide Plate (Right)	1	ZMB03051	螺絲	Screw (M3-0.5x22.5)	1	
LD1107-0A	曲柄軸	Crank Shaft	1	ZMC04001	螺絲	Screw (M4-0.7x8.5)	1	
LD1122-0A	差動鍊板	Differential Plate	4	ZMH04003	螺絲	Screw (M4-0.7x5)	1	
LD1123-0A	差動擺臂銷	Differential Drive Link Pin	2	ZMH05001	螺絲	Screw (M5-0.8x5)	1	
LD1124-0A	差動鍊板銷	Differential Drive Link Pin	1	ZMH06008	螺絲	Screw (M6-1.0x6)	2	
LD1125-0A	差動鍊板銷	Differential Drive Link Pin	1	ZMH06010	螺絲	Screw (M6-1.0x10)	2	
LD1127-0A	送料驅動腕	Feed Lever	1	ZMJ04002	螺絲	Screw (M4-0.7x10)	2	
LD1130-0A	針距變動腕	Feed Regulating Lever	1	ZMJ06025	螺絲	Screw (M6-1.0x16)	1	
LD1132-0A	差動腕支軸(右)	Differential Arm Shaft (Right)	1	ZMK08019	螺絲	Screw (M8-1.25x30)	1	
LD1133-0A	差動腕支軸(左)	Differential Arm Shaft (Left)	1	ZSA16021	螺絲	Screw (1/4-28x5)	1	
LD1161-0A	倒縫桿	Reverse Stitch Lever	1	ZSA16039	螺絲	Screw (1/4-28x2.5)	1	
LD1166-0A	拉伸彈簧	Tension Spring	1	ZSB09015	螺絲	Screw (9/64-40x9)	2	
LD1237-0A	內押腳	Walking Presser	1	ZSB09017	螺絲	Screw (9/64-40x8)	1	
LD1237-1A	內押腳(S)	Walking Presser(S)	1	ZSB09035	螺絲	Screw (9-64-40x17)	2	
LD1279-0A	內押腳連桿銷	Walking Presser Link Pin	1	ZSB11021	螺絲	Screw (11-64-40x5.5)	1	
LD1281-0A	內押腳軸架	Walking Presser Bar Holder	1	ZSB11115	螺絲	Screw (11/64-40x8)	1	

D.CS-8911 縫線壓力調整機構 THREAD TENSION REGULATING MECHANISM



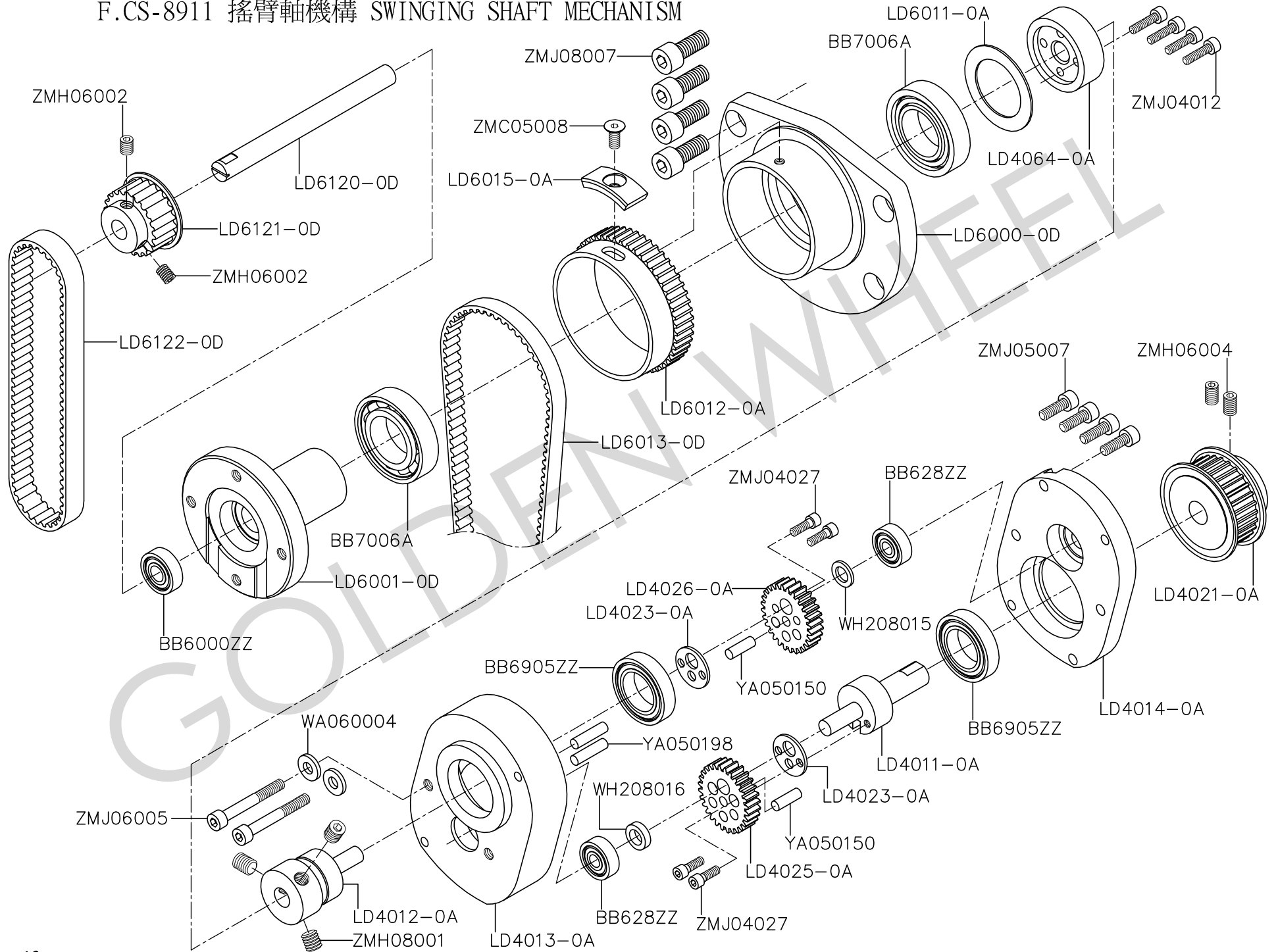
D. CS-8911 縫線壓力調整機構 THREAD TENSION REGULATION MECHANISM

零件號碼 Part No.	零件名稱	Name of Part	件數 Q'TY	零件號碼 Part No.	零件名稱	Name of Part	件數 Q'TY	備註 Remarks
8233312200	鬆線銷	Tension Releasing Pin	1	YA020150	銷	Pin	2	
A1024-1A	天秤線掛組	Thread Take-Up Guide Asm.	1	YA025108	銷	Pin	1	
A1026-1A	壓力調節螺絲棒	Thread Tension Stud	1	YA040156	銷	Pin	1	
A1030-0A	過線孔台	Thread Guide Bracket	1	YA05012A	銷	Pin	1	
A1031-0A	過線孔圓盤	Thread Guide Disc	1	ZMA04007	螺絲	Screw (M4-0.7x7.5)	1	
A1032-0A	壓力彈簧	Thread Tension Spring	1	ZMB04016	螺絲	Screw (M4-0.7x10)	1	
A1033-0A	過線孔內蓋	Controller Cover	1	ZMB04022	螺絲	Screw (M4-0.7x15)	1	
A1034-0A	壓力調整器壓盤	Tension Regulator Presser Disc	1	ZMC03001	螺絲	Screw (M3-0.5x8.5)	1	
A1035-0A	壓力盤	Tension Disc	2	ZMH03002	螺絲	Screw (M3-0.5x3)	1	
A1036-0A	壓板彈簧	Tension Releasing Spring	1	ZMH04018	螺絲	Screw (M4-0.7x12)	1	
A1038-0A	上線壓力板	Upper Thread Tension Plate	1	ZMH05003	螺絲	Screw (M5-0.8x8)	1	
BB624ZZ	軸承	Bearing	1	ZMH06006	螺絲	Screw (M6-1.0x6)	1	
C1041-0A	吊線彈簧擋板	Spring Rest Plate	1	ZMJ03001	螺絲	Screw (M3-0.5x10)	1	
C1052-0A	線掛	Thread Guide	1	ZMJ05001	螺絲	Screw (M5-0.8x14)	2	
EJ1021-1A	調整彈簧	Tension Spring	1	ZML04006	螺帽	Nut	1	
EJ1026-4A	調整螺絲桿	Thread Tension Stud	1	ZSB06001	螺絲	Screw (3/32-56x)	1	
EJ1028-0A	鬆線銷	Tension Releasing Pin	1	ZSB09005	螺絲	Screw (9/64-40x5)	1	
EJ1037-0A	彈簧板	Tension Releasing Plate	1	ZSB09032	螺絲	Screw (9/64-40x8.5)	2	
J1055-0A	線掛	Thread Guide	1	ZSB11012	螺絲	Screw (11/64-40x8)	1	
LD1020-0A	上線張力調整組	Thread Tension Regulator Asm.	1	ZSG09004	螺絲	Screw (9/64-40x2.5)	2	
LD1025-0A	壓線盤	Tension Disc	1	ZSG09005	螺絲	Screw (9/64-40x7)	1	
LD1027-0A	吊線彈簧	Thread take-up Spring	1	ZSL09001	螺帽	Nut	1	
LD1481-0A	鬆線桿	Tension Releasing Stud	1	ZSN16002	螺帽	Nut	2	
LD1482-0A	鬆線桿支撐軸	Tension Releasing Stud Shaft	1					
LD1484-0A	鬆線軸固定座	Tension Releasing Shaft Bracket	1					
LD1485-0A	壓線盤調整座	Tension Disc Bracket	1					
LD1486-0A	壓縮彈簧	Thread Tension spring	1					
LD1487-0A	滾輪導柱	Roller Driven Shaft	1					
LD1489-0A	鬆線彈簧	Tension Releasing Spring	1					
LD1491-0A	壓線盤彈簧	Tension Disc Spring	1					
LD1492-0A	調整螺母	Lock Nut	1					

E. CS-8911 押腳機構 PRESSER LIFT MECHANISM

零件號碼 Part No.	零件名稱 Name of Part	件數 Q'TY	零件號碼 Part No.	零件名稱 Name of Part	件數 Q'TY	備註 Remarks
EJ1287-0A	舉升搖軸連桿 - Feed Lifting Rock Shaft Link	1	WA040013	平墊圈 ----- Washer -----	2	
LD1180-0A	壓腳棒 ----- Presser Bar -----	1	WA069001	平墊圈 ----- Washer -----	1	
LD1184-0A	壓腳彈簧 ----- Presser Spring -----	1	WG000006	墊圈 ----- Washer -----	1	
LD1189-0A	壓棒提桿 ----- Presser Bar Lifter -----	1	WH210012	墊圈 ----- Washer -----	1	
LD1191-0D	壓腳提升桿 --- Presser foot Lifter -----	1	YA040160	銷 ----- Pin -----	1	
LD1192-0A	壓棒提桿銷 --- Presser Lifter Pin -----	1	ZMA05011	螺絲 ----- Screw (M5-0.8x28) -----	1	
LD1200-0A	壓腳提桿 ----- Presser Foot Lifter -----	1	ZMB04010	螺絲 ----- Screw (M4-0.7x6) -----	1	
LD1207-0A	鬆線推桿 ----- Tension Release Lever -----	1	ZMB04022	螺絲 ----- Screw (M4-0.7x15) -----	2	
LD1208-0A	壓棒座導板 --- Presser Bar Guide -----	1	ZMB04025	螺絲 ----- Screw (M4-0.7x12) -----	2	
LD1233-0A	護手環 ----- Finger Guard -----	1	ZMB04031	螺絲 ----- Screw (M4-0.7x20) -----	1	
LD1235-0A	外壓腳 ----- Outer Presser Foot -----	1	ZMB04035	螺絲 ----- Screw (M4-0.7x8) -----	2	
LD1272-0A	壓棒升降座 --- Presser Bar Bracket -----	1	ZMB05012	螺絲 ----- Screw (M5-0.8x9) -----	1	
LD1277-0A	導槽固定板 --- Bracket Plate -----	1	ZMC05005	螺絲 ----- Screw (M5-0.8x10) -----	2	
LD1278-0A	滾輪導槽 ----- Roller Guide -----	1	ZMH05002	螺絲 ----- Screw (M5-0.8x6) -----	1	
LD1280-0A	內壓腳連桿 --- Walking Presser Foot Link ---	1	ZMH05020	螺絲 ----- Screw (M5-0.8x20) -----	1	
LD1283-0A	滾輪軸 ----- Roller Shaft -----	1	ZMH06008	螺絲 ----- Screw (M6-1.0x6) -----	3	
LD1284-0A	滾輪 ----- Roller -----	1	ZMJ05002	螺絲 ----- Screw (M5-0.8x12) -----	4	
LD1286-0A	L型連桿 ----- Angle Link -----	1	ZMK05032	螺絲 ----- Screw (M5-0.8x21) -----	1	
LD1289-0A	壓腳交替擺臂 - Presser Driving Arm -----	1	ZML04009	螺帽 ----- Nut -----	1	
LD1290-0A	壓腳變換軸 --- Presser Driving Shaft -----	1	ZML05002	螺帽 ----- Nut -----	2	
LD1291-0A	上下交換軸套管 Bushing -----	2	ZML06001	螺帽 ----- Nut -----	2	
LD1295-0A	上下交換擺臂 - Radius Adjusting Lever -----	1	ZML06009	螺帽 ----- Nut -----	1	
LD1296-0A	擺臂長調整銷 - Radius Setting Pin -----	1	ZSF32001	螺帽 ----- Adjusting Screw -----	1	
OAGM101503	油封 ----- Oil Seal -----	2	ZSG09050	螺絲 ----- Screw (9/64-40x4) -----	1	
RB200100	軸用 C 扣環 --- C-Ring -----	1	ZSN32001	螺帽 ----- Nut -----	1	

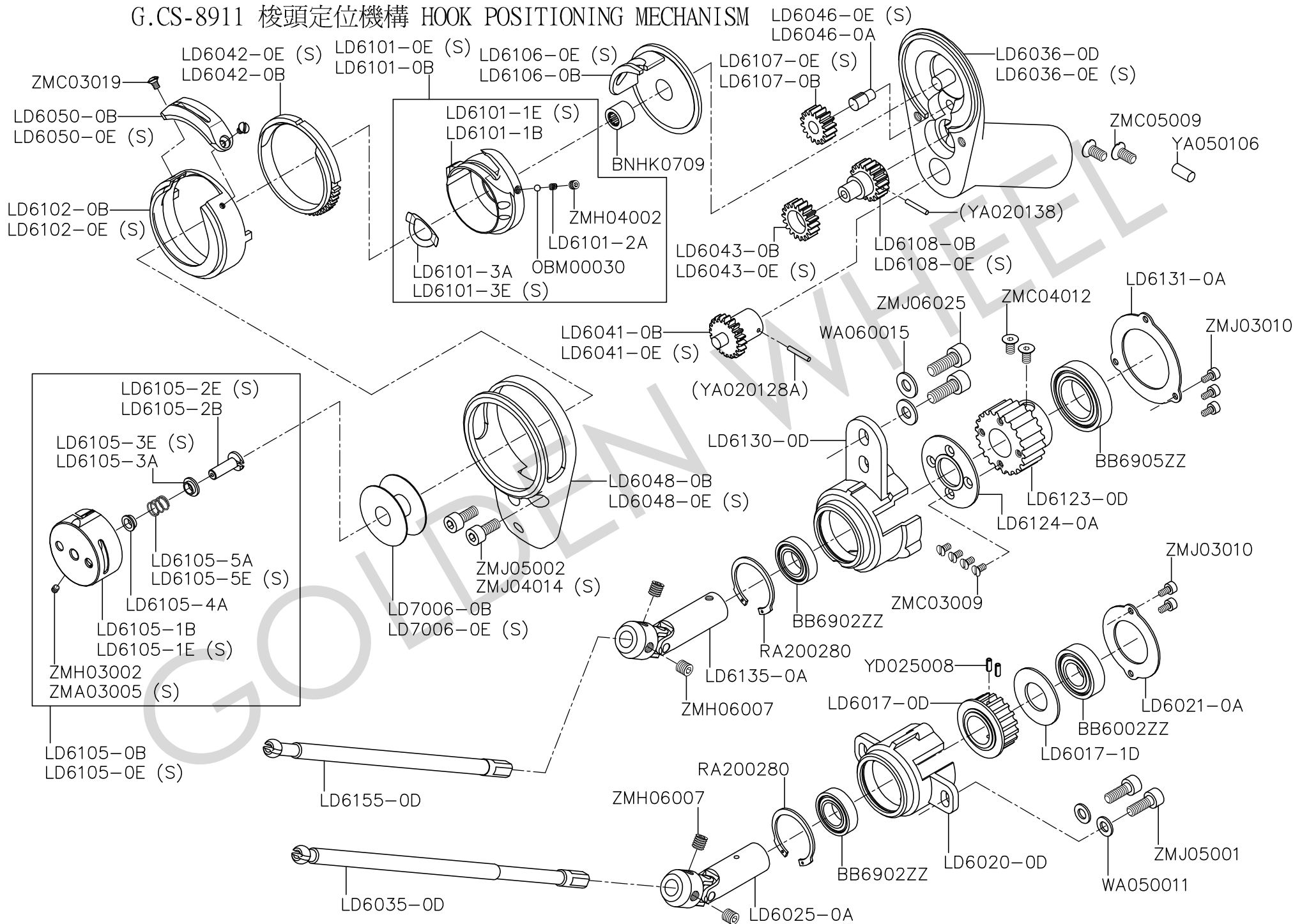
F.CS-8911 搖臂軸機構 SWINGING SHAFT MECHANISM



F. CS-8911 搖臂軸機構 SWINGING SHAFT MECHANISM

零件號碼 Part No.	零件名稱 Name of Part	件數 Q'TY	零件號碼 Part No.	零件名稱 Name of Part	件數 Q'TY	備註 Remarks
BB6000ZZ	軸承 -----	1	WA060004	平墊圈 -----	2	
BB628ZZ	軸承 -----	2	WH208015	墊圈 -----	1	
BB6905ZZ	軸承 -----	2	WH208016	墊圈 -----	1	
BB7006A	軸承 -----	2	YA050150	銷 -----	2	
LD4011-0A	齒輪箱下軸 ---	1	YA050198	銷 -----	2	
LD4012-0A	齒輪箱上軸 ---	1	ZMC05008	螺絲 -----	1	
LD4013-0A	齒輪箱 -----	1	ZMH06002	螺絲 -----	2	
LD4014-0A	齒輪箱蓋 -----	1	ZMH06004	螺絲 -----	2	
LD4021-0A	齒輪軸皮帶輪 -	1	ZMH08001	螺絲 -----	3	
LD4023-0A	齒輪墊片 -----	2	ZMJ04012	螺絲 -----	4	
LD4025-0A	橢圓形齒輪(下)	1	ZMJ04027	螺絲 -----	4	
LD4026-0A	橢圓形齒輪(上)	1	ZMJ05007	螺絲 -----	4	
LD4064-0A	旋臂軸後蓋 ---	1	ZMJ06005	螺絲 -----	2	
LD6000-0D	搖臂固定架 ---	1	ZMJ08007	螺絲 -----	4	
LD6001-0D	搖臂軸 -----	1				
LD6011-0A	軸承壓板 -----	1				
LD6012-0A	定位皮帶輪 ---	1				
LD6013-0D	齒形皮帶 -----	1				
LD6015-0A	皮帶輪壓板 ---	1				
LD6120-0D	下軸心 -----	1				
LD6121-0D	下軸皮帶輪 ---	1				
LD6122-0D	齒形皮帶 -----	1				

G.CS-8911 梭頭定位機構 HOOK POSITIONING MECHANISM

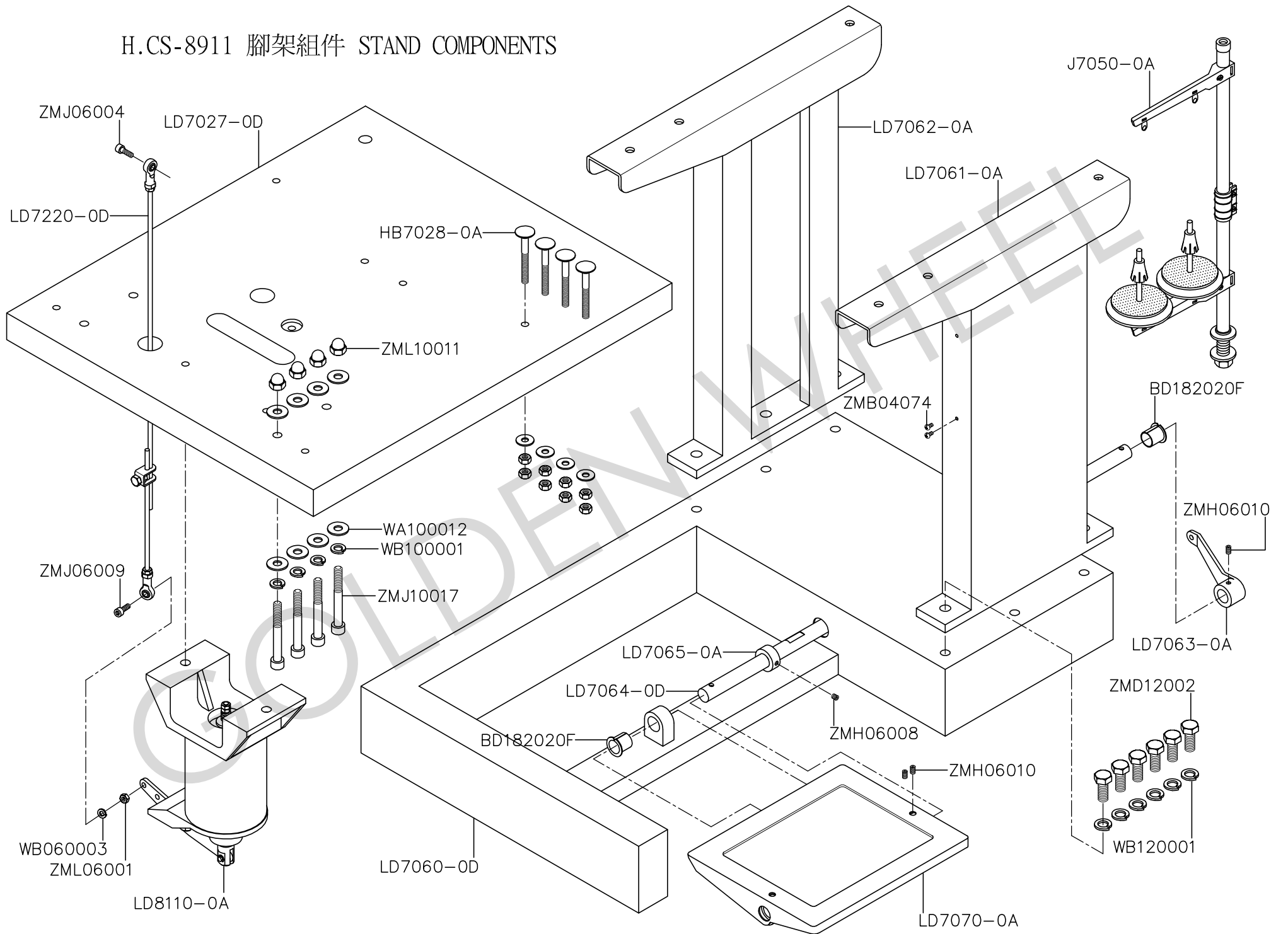


G. CS-8911 梭頭定位機構 HOOK POSITIONING MECHANISM

零件號碼 Part No.	零件名稱	Name of Part	件數 Q'TY	零件號碼 Part No.	零件名稱	Name of Part	件數 Q'TY	備註 Remarks
BB6002ZZ	軸承	Bearing	1	LD6105-0B	梭殼組	Bobbin Case Asm.	1	
BB6902ZZ	軸承	Bearing	2	LD6105-0E	梭殼組(S)	Bobbin Case Asm. (S)	1	
BB6905ZZ	軸承	Bearing	1	LD6105-1B	梭殼	Bobbin Case	1	
BNHK0709	滾針軸承	Needle Bearing	1	LD6105-1E	梭殼(S)	Bobbin Case(S)	1	
LD6017-0D	萬向軸皮帶輪(下)	Universal Shaft Pulley (Lower)	1	LD6105-2B	梭殼軸心	Bobbin Case Shaft	1	
LD6017-1D	萬向軸皮帶輪(下)	Universal Shaft Pulley (Lower)	1	LD6105-2E	梭殼軸心(S)	Bobbin Case Shaft(S)	1	
LD6020-0D	皮帶輪調整座	Pulley Adjusting Seat	1	LD6105-3A	壓線套環	Presser Ring	1	
LD6021-0A	軸承蓋	Bearing Cover	1	LD6105-3E	壓線套環(S)	Presser Ring (S)	1	
LD6025-0A	萬向接頭(下)	Universal Joint (Lower)	1	LD6105-4A	彈簧座圈	Spring Seat	1	
LD6035-0D	萬向連接軸(下)	Universal Joint Shaft (Lower)	1	LD6105-5A	壓縮彈簧	Spring	1	
LD6036-0D	梭頭支座	Hook Housing	1	LD6105-5E	壓縮彈簧(S)	Spring(S)	1	
LD6036-0E	梭頭支座(S)	Hook Housing(S)	1	LD6106-0B	鈎線器齒輪組	Looper Gear Asm.	1	
LD6041-0B	定位齒輪組	Position Gear Asm.	1	LD6106-0E	鈎線器齒輪組(S)	Looper Gear Asm. (S)	1	
LD6041-0E	定位齒輪組(S)	Position Gear Asm. (S)	1	LD6107-0B	中間齒輪	Middle Gear	1	
LD6042-0B	定位環齒輪	Position Gear	1	LD6107-0E	中間齒輪(S)	Middle Gear(S)	1	
LD6042-0E	定位環齒輪(S)	Position Gear(S)	1	LD6108-0B	旋梭驅動齒輪組	Rotary Hook Drive Gear Asm.	1	
LD6043-0B	中間齒輪	Middle Gear	1	LD6108-0E	旋梭驅動齒輪組(S)	Rotary Hook Drive Gear Asm. (S)	1	
LD6043-0E	中間齒輪(S)	Middle Gear(S)	1	LD6123-0D	萬向軸皮帶輪(上)	Universal Shaft Pulley (Upper)	1	
LD6046-0A	中間齒輪軸	Middle Gear Shaft	1	LD6124-0A	皮帶輪端蓋	Pulley Cover	1	
LD6046-0E	中間齒輪軸(S)	Middle Gear Shaft(S)	1	LD6130-0D	皮帶輪調整座	Pulley Adjusting Seat	1	
LD6048-0B	旋梭蓋	Hook Housing Cover	1	LD6131-0A	軸承蓋	Bearing Cover	1	
LD6048-0E	旋梭蓋(S)	Hook Housing Cover(S)	1	LD6135-0A	萬向接頭(上)	Universal Joint (Upper)	1	
LD6050-0B	針板	Needle Plate	1	LD6155-0D	萬向連接軸(上)	Universal Joint Shaft (Upper)	1	
LD6050-0E	針板(S)	Needle Plate(S)	1	LD7006-0B	梭子	Bobbin	1	
LD6101-0B	旋梭組	Rotary Hook Asm.	1	LD7006-0E	梭子(S)	Bobbin(S)	1	
LD6101-0E	旋梭組(S)	Rotary Hook Asm. (S)	1	OBM00030	鋼球	Ball	1	
LD6101-1B	旋梭	Rotary Hook	1	RA200280	孔用C扣環	C-ring	2	
LD6101-1E	旋梭(S)	Rotary Hook(S)	1	WA050011	平墊圈	Washer	2	
LD6101-2A	壓縮彈簧	Spring	1	WA060015	平墊圈	Washer	2	
LD6101-3A	梭子彈片	Bobbin Spring	1	YA020128A	銷	Pin	1	
LD6101-3E	梭子彈片(S)	Bobbin Spring(S)	1	YA020138	銷	Pin	2	
LD6102-0B	旋梭承環	Rotary Hook Race	1	YA050106	銷	Pin	1	
LD6102-0E	旋梭承環(S)	Rotary Hook Race(S)	1					

第 17 頁續 -----Continued on Page 17

H.CS-8911 腳架組件 STAND COMPONENTS



H. CS-8911 腳架組件 STAND COMPONENTS

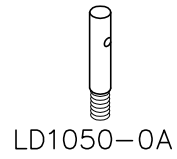
零件號碼 Part No.	零件名稱 Name of Part	件數 Q'TY	-----接第 15 頁 Continued from Page 15		
			G. CS-8911 梭頭定位機構 HOOK POSITIONING MECHANISM		
BD182020F	乾軸承 ----- DU Bushing -----	2	YD025008	彈簧銷 ----- Spring Pin -----	2
HB7028-0A	馬車螺絲組 --- Mounting Bolt -----	4	ZMA03005	螺絲(S) ----- Screw (M3-0.5x1.4) -----	1
J7050-0A	線架 ----- Thread Stand -----	1	ZMC03009	螺絲 ----- Screw (M3-0.5x6) -----	4
LD7027-0D	車板 ----- Table -----	1	ZMC03019	螺絲 ----- Screw (M3-0.5x5.8) -----	2
LD7060-0D	腳架底座 ----- Scaffold Seat -----	1	ZMC04012	螺絲 ----- Screw (M4-0.7x8) -----	2
LD7061-0A	腳架(前) ----- Scaffold (Front) -----	1	ZMC05009	螺絲 ----- Screw (M5-0.8x11) -----	2
LD7062-0A	腳架(後) ----- Scaffold (Rear) -----	1	ZMH03002	螺絲 ----- Screw (M3-0.5x3) -----	1
LD7063-0A	拉桿臂 ----- Connecting Arm. -----	1	ZMH04002	螺絲 ----- Screw (M4-0.7x3) -----	1
LD7064-0D	踏板軸 ----- Pedal Shaft -----	1	ZMH06007	螺絲 ----- Screw (M6-1.0x5) -----	4
LD7065-0A	定環 ----- Collar -----	1	ZMJ03010	螺絲 ----- Screw (M3-0.5x6) -----	5
LD7070-0A	腳踏板 ----- Pedal -----	1	ZMJ04014	螺絲(S) ----- Screw (M4-0.7x12) -----	2
LD7220-0D	拉桿組 ----- Connecting Rod Arm. -----	1	ZMJ05001	螺絲 ----- Screw (M5-0.8x14) -----	2
LD8110-0A	抬壓腳電磁鐵 - Presser Lifting Electromagnet	1	ZMJ05002	螺絲 ----- Screw (M5-0.8x12) -----	2
WA100012	墊圈 ----- Washer -----	8	ZMJ06025	螺絲 ----- Screw (M6-1.0x16) -----	2
WB060003	彈簧墊圈 ----- Spring Washer -----	1			
WB100001	彈簧墊圈 ----- Spring Washer -----	4			
WB120001	彈簧墊圈 ----- Spring Washer -----	6			
ZMB04074	螺絲 ----- Screw (M4-0.5x8) -----	2			
ZMD12002	螺絲 ----- Screw (M12x1.75x30) -----	6			
ZMH06008	螺絲 ----- Screw (M6-1.0x6) -----	1			
ZMH06010	螺絲 ----- Screw (M6-1.0x10) -----	3			
ZMJ06004	螺絲 ----- Screw (M6-1.0x20) -----	1			
ZMJ06009	螺絲 ----- Screw (M6-1.0x18) -----	1			
ZMJ10017	螺絲 ----- Screw (M10-1.5x80) -----	4			
ZML06001	螺帽 ----- Nut -----	1			
ZML10011	螺帽 ----- Nut -----	4			

I.CS-8911 附件 ACCESSORIES



GOLDEN WHEEL

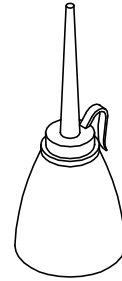
A7001-0A



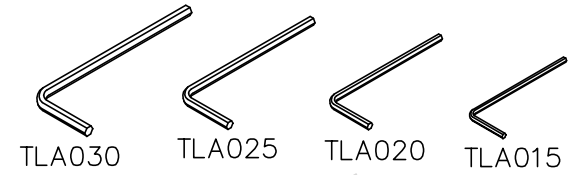
LD1050-0A



ZML06002



A7012-1A

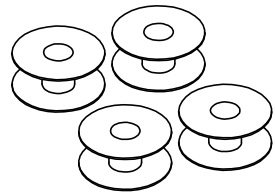


TLA030

TLA025

TLA020

TLA015



LD7006-0B

LD7006-0E (S)



INCPX5#27

INCPX5#21 (S)

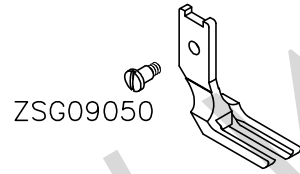


ZMC03019



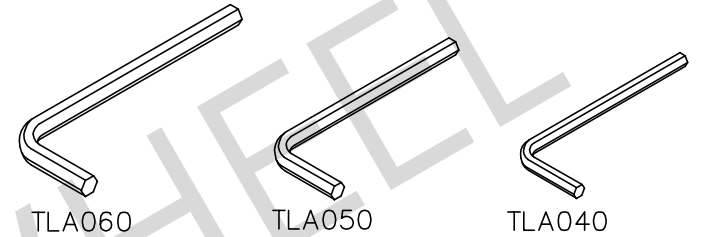
LD6101-3A

LD6101-3E (S)



ZSG09050

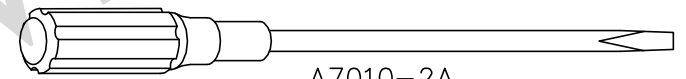
LD1235-1A



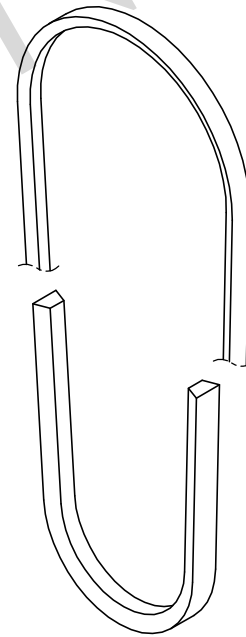
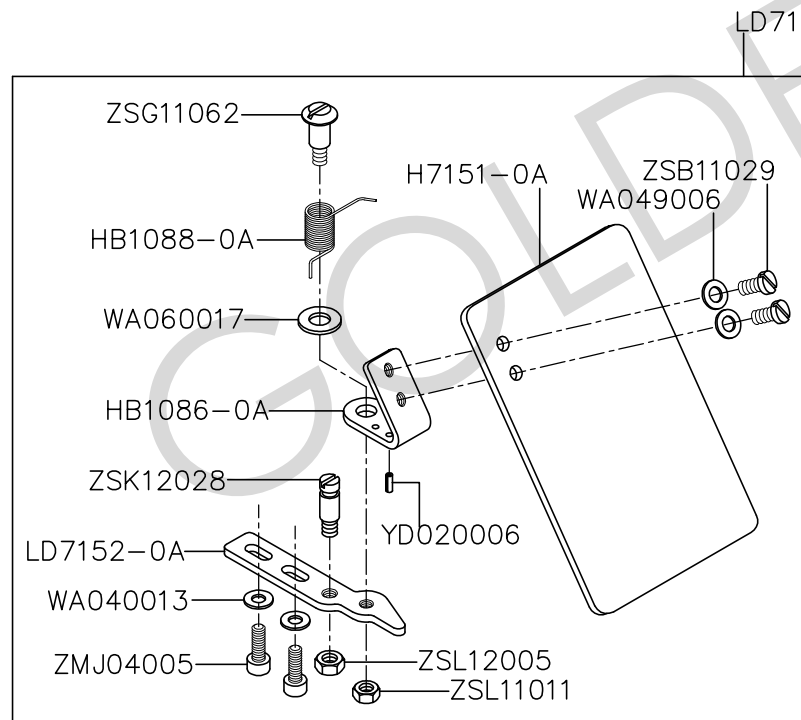
TLA060

TLA050

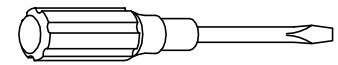
TLA040



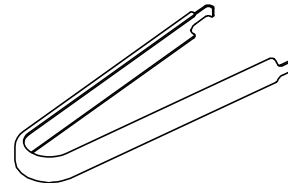
A7010-2A



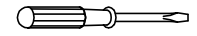
OVM-55



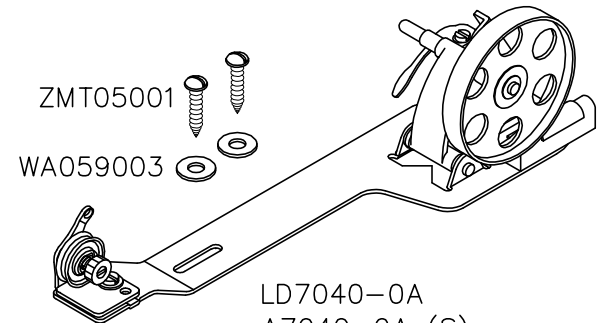
A7010-1A



LD7014-0A



A7010-0A



ZMT05001

WA059003

LD7040-0A

A7040-0A (S)

I. CS-8911 附件 ACCESSORIES

零件號碼 Part No.	零件名稱	Name of Part	件數 Q'TY	零件號碼 Part No.	零件名稱	Name of Part	件數 Q'TY	備註 Remarks
A7001-0A	防塵蓋	Vinyl Cover	1	TLA015	內六角板手(1.5mm)	Hexagonal Wrench(1.5mm)	1	
A7010-0A	螺絲起子(小)	Screw Driver (Small)	1	TLA020	內六角板手(2.0mm)	Hexagonal Wrench(2.0mm)	1	
A7010-1A	螺絲起子(中)	Screw Driver (Medium)	1	TLA025	內六角板手(2.5mm)	Hexagonal Wrench(2.5mm)	1	
A7010-2A	螺絲起子(大)	Screw Driver (Large)	1	TLA030	內六角板手(3.0mm)	Hexagonal Wrench(3.0mm)	1	
A7012-1A	油壺(小)	Oilier (Small)	1	TLA040	內六角板手(4.0mm)	Hexagonal Wrench(4.0mm)	1	
A7040-0A	捲線器組(S)	Bobbin Winder(S)	1	TLA050	內六角板手(5.0mm)	Hexagonal Wrench(5.0mm)	1	
H7151-0A	護目鏡	Safety Glass	1	TLA060	內六角板手(6.0mm)	Hexagonal Wrench(6.0mm)	1	
HB1086-0A	固定板	Safety Glass mounting Plate	1	WA040013	墊圈	Washer	2	
HB1088-0A	扭力彈簧	Torsion Spring	1	WA049006	墊圈	Washer	2	
INCPX5#21	針(S)	Needle(S)	1	WA059003	墊圈	Washer	2	
INCPX5#27	針	Needle	1	WA060017	墊圈	Washer	1	
LD1050-0A	線柱	Thread Guide	1	YD020006	彈簧銷	Spring Pin	1	
LD1235-1A	外壓腳	Outer Presser Foot	1	ZMC03019	螺絲	Screw (M3-0.5x5.8)	2	
LD6101-3A	梭子彈片	Bobbin Spring	2	ZMJ04005	螺絲	Screw (M4-0.7x6)	2	
LD6101-3E	梭子彈片(S)	Bobbin Spring(S)	2	ZML06002	螺帽	Nut	1	
LD7006-0B	梭子	Bobbin	4	ZMT05001	木螺絲	Wood Screw	2	
LD7006-0E	梭子	Bobbin	4	ZSB11029	螺絲	Screw (11/64-40x7)	2	
LD7014-0A	梭殼取出夾	Tweezers	1	ZSG09050	螺絲	Screw (9/64-40x4)	1	
LD7040-0A	捲線器組	Bobbin Winder	1	ZSG11062	螺絲	Screw (11/64-40x7)	1	
LD7150-0A	安全鏡片組	Safety Glass Asm.	1	ZSK12028	螺絲	Screw (3/16-28x4.5)	1	
LD7152-0A	安全鏡片固定板	Safety Glass	1	ZSL11011	螺帽	Nut	1	
OVM-55	皮帶	Belt	1	ZSL12005	螺帽	Nut	1	

CS-8911 零件號碼與頁數對照 NUMERICAL PARTS-LIST

零件號碼 PARTS NO.	頁數 PAGE	零件號碼 PARTS NO.	頁數 PAGE	零件號碼 PARTS NO.	頁數 PAGE	零件號碼 PARTS NO.	頁數 PAGE	零件號碼 PARTS NO.	頁數 PAGE
4710161200	7	BB628ZZ	13	LD1060-0D	7	LD1180-0A	11	LD1319-0A	5
4710161600	7	BB6902ZZ	15	LD1062-0A	7	LD1184-0A	11	LD1320-0A	5
4710161900	7	BB6905ZZ	13, 15	LD1063-0A	3	LD1189-0A	11	LD1322-0D	5
4710162000	7	BB7006A	13	LD1070-0A	7	LD1191-0D	11	LD1330-0D	7
8233312200	9	BD182020F	17	LD1074-0A	7	LD1192-0A	11	LD1331-0D	7
A1024-1A	9	BN252913	5	LD1075-0A	7	LD1200-0A	11	LD1332-0A	7
A1026-1A	9	BNHK0709	15	LD1080-0A	7	LD1207-0A	11	LD1334-0A	7
A1030-0A	9	BR221310	3	LD1090-0A	7	LD1208-0A	11	LD1341-0A	7
A1031-0A	9	C1041-0A	9	LD1091-0A	7	LD1233-0A	11	LD1343-0A	7
A1032-0A	9	C1052-0A	9	LD1092-0A	7	LD1235-0A	11	LD1481-0A	9
A1033-0A	9	EJ1021-1A	9	LD1093-0A	7	LD1235-1A	19	LD1482-0A	9
A1034-0A	9	EJ1026-4A	9	LD1094-0A	7	LD1237-0A	7	LD1484-0A	9
A1035-0A	9	EJ1028-0A	9	LD1100-0D	5	LD1237-1A	7	LD1485-0A	9
A1036-0A	9	EJ1037-0A	9	LD1102-0A	5	LD1272-0A	11	LD1486-0A	9
A1038-0A	9	EJ1287-0A	11	LD1103-0A	5	LD1277-0A	11	LD1487-0A	9
A1061-0A	7	H7151-0A	19	LD1105-0A	5	LD1278-0A	11	LD1488-0A	5
A1130-0A	5	HB1086-0A	19	LD1106-0D	5	LD1279-0A	7	LD1489-0A	9
A7001-0A	19	HB1088-0A	19	LD1107-0A	7	LD1280-0A	11	LD1491-0A	9
A7010-0A	19	HB7028-0A	17	LD1116-0A	5	LD1281-0A	7	LD1492-0A	9
A7010-1A	19	INCPX5#21	19	LD1121-0A	5	LD1282-0A	7	LD1820-0A	5
A7010-2A	19	INCPX5#27	7, 19	LD1122-0A	7	LD1283-0A	11	LD1821-0A	5
A7012-1A	19	J1055-0A	9	LD1123-0A	7	LD1284-0A	11	LD1822-0A	5
A7040-0A	19	J7050-0A	17	LD1124-0A	7	LD1285-0A	7	LD1823-0A	5
B1333-0A	7	LD1010-0A	3	LD1125-0A	7	LD1286-0A	11	LD1825-0A	5
BB6000ZZ	13	LD1012-0A	3	LD1127-0A	7	LD1289-0A	11	LD4005-0D	3
BB6002ZZ	15	LD1013-0A	3	LD1130-0A	7	LD1290-0A	11	LD4006-0A	3
BB6003ZZ	5	LD1020-0A	9	LD1132-0A	7	LD1291-0A	11	LD4011-0A	13
BB6003ZZNR	5	LD1025-0A	9	LD1133-0A	7	LD1295-0A	11	LD4012-0A	13
BB6004ZZNR	5	LD1027-0A	9	LD1161-0A	7	LD1296-0A	11	LD4013-0A	13
BB6203ZZNR	5	LD1050-0A	19	LD1166-0A	7	LD1297-0A	5	LD4014-0A	13
BB624ZZ	9	LD1051-0A	3	LD1172-0A	3	LD1298-0A	5	LD4021-0A	13

CS-8911 零件號碼與頁數對照 NUMERICAL PARTS-LIST

零件號碼 PARTS NO.	頁數 PAGE	零件號碼 PARTS NO.	頁數 PAGE	零件號碼 PARTS NO.	頁數 PAGE	零件號碼 PARTS NO.	頁數 PAGE	零件號碼 PARTS NO.	頁數 PAGE
LD4023-0A	13	LD6043-0E	15	LD6107-0B	15	LD8110-0A	17	WA100012	17
LD4025-0A	13	LD6046-0A	15	LD6107-0E	15	OAGM101503	11	WB060003	17
LD4026-0A	13	LD6046-0E	15	LD6108-0B	15	OBM00030	15	WB100001	17
LD4064-0A	13	LD6048-0B	15	LD6108-0E	15	OBS00080	7	WB120001	17
LD4082-0D	3	LD6048-0E	15	LD6120-0D	13	OVM-55	19	WC280001	5
LD6000-0D	13	LD6050-0B	15	LD6121-0D	13	RA200280	15	WG000006	11
LD6001-0D	13	LD6050-0E	15	LD6122-0D	13	RB200100	11	WH208015	13
LD6002-0D	3	LD6101-0B	15	LD6123-0D	15	RB200200	5	WH208016	13
LD6002-1A	3	LD6101-0E	15	LD6124-0A	15	RB200250	5	WH210012	11
LD6003-0D	3	LD6101-1B	15	LD6130-0D	15	SEN0930400	3	WH225001	5
LD6004-0D	3	LD6101-1E	15	LD6131-0A	15	SEN1050500	3	XA300040	7
LD6006-0D	3	LD6101-2A	15	LD6135-0A	15	TLA015	19	XA300050	7
LD6007-0D	3	LD6101-3A	15	LD6155-0D	15	TLA020	19	XA400030	7
LD6010-0D	3	LD6101-3A	19	LD7006-0B	15, 19	TLA025	19	XA400040	7
LD6011-0A	13	LD6101-3E	15	LD7006-0E	15, 19	TLA030	19	XB206003	5
LD6012-0A	13	LD6101-3E	19	LD7014-0A	19	TLA040	19	YA020128A	15
LD6013-0D	13	LD6102-0B	15	LD7016-0D	3	TLA050	19	YA020138	15
LD6015-0A	13	LD6102-0E	15	LD7017-0D	3	TLA060	19	YA020150	9
LD6017-0D	15	LD6105-0B	15	LD7024-0A	3	WA030007	7	YA025108	9
LD6017-1D	15	LD6105-0E	15	LD7027-0D	17	WA040013	11, 19	YA040156	9
LD6020-0D	15	LD6105-1B	15	LD7040-0A	19	WA040025	7	YA040160	11
LD6021-0A	15	LD6105-1E	15	LD7060-0D	17	WA049006	19	YA040450	3
LD6025-0A	15	LD6105-2B	15	LD7061-0A	17	WA050011	15	YA050106	15
LD6035-0D	15	LD6105-2E	15	LD7062-0A	17	WA059003	19	YA05012A	9
LD6036-0D	15	LD6105-3A	15	LD7063-0A	17	WA060004	13	YA050150	13
LD6036-0E	15	LD6105-3E	15	LD7064-0D	17	WA060015	3, 15	YA050198	13
LD6041-0B	15	LD6105-4A	15	LD7065-0A	17	WA060017	19	YA060200	3
LD6041-0E	15	LD6105-5A	15	LD7070-0A	17	WA060032	3	YA080300A	5
LD6042-0B	15	LD6105-5E	15	LD7150-0A	19	WA069001	11	YB040020	7
LD6042-0E	15	LD6106-0B	15	LD7152-0A	19	WA089004	3	YD020006	19
LD6043-0B	15	LD6106-0E	15	LD7220-0D	17	WA089008	7	YD025008	17

CS-8911 零件號碼與頁數對照 NUMERICAL PARTS-LIST

零件號碼 PARTS NO.	頁數 PAGE	零件號碼 PARTS NO.	頁數 PAGE	零件號碼 PARTS NO.	頁數 PAGE	零件號碼 PARTS NO.	頁數 PAGE	零件號碼 PARTS NO.	頁數 PAGE
ZMA03005	17	ZMH05001	7	ZMJ08007	13	ZSF32001	11		
ZMA04007	9	ZMH05002	11	ZMJ10017	17	ZSG09004	9		
ZMA05011	11	ZMH05003	9	ZMK05032	11	ZSG09005	9		
ZMA07001	5	ZMH05020	11	ZMK08019	7	ZSG09050	11, 19		
ZMB03051	7	ZMH06002	5, 13	ZML04006	9	ZSG11062	19		
ZMB04010	11	ZMH06004	13	ZML04009	11	ZSK12028	19		
ZMB04016	9	ZMH06005	5	ZML05002	11	ZSL09001	9		
ZMB04022	3, 9, 11	ZMH06006	9	ZML06001	3	ZSL11011	19		
ZMB04025	11	ZMH06007	17	ZML06001	11, 17	ZSL12005	19		
ZMB04031	11	ZMH06008	7, 11, 17	ZML06002	19	ZSN16002	9		
ZMB04035	11	ZMH06010	7, 17	ZML06009	11	ZSN32001	11		
ZMB04074	3, 17	ZMH08001	13	ZML10011	17				
ZMB05012	11	ZMH08004	5	ZMQ04016	3				
ZMB06002	3	ZMH08006	5	ZMQ04021	3				
ZMB07001	5	ZMJ03001	9	ZMQ05004	3				
ZMC03001	9	ZMJ03010	17	ZMQ05006	3				
ZMC03006	3	ZMJ04002	7	ZMQ06005	3				
ZMC03009	17	ZMJ04005	19	ZMQ08004	3				
ZMC03019	17, 19	ZMJ04012	13	ZMT05001	19				
ZMC04001	7	ZMJ04014	17	ZSA16021	7				
ZMC04012	17	ZMJ04027	13	ZSA16039	7				
ZMC05005	11	ZMJ05001	9, 17	ZSB06001	9				
ZMC05008	3	ZMJ05002	11, 17	ZSB09005	9				
ZMC05008	13	ZMJ05007	13	ZSB09015	7				
ZMC05009	17	ZMJ06002	3	ZSB09017	7				
ZMC06013	3	ZMJ06004	3, 17	ZSB09032	9				
ZMD12002	17	ZMJ06005	13	ZSB09035	7				
ZMH03002	9, 17	ZMJ06007	3	ZSB11012	9				
ZMH04002	17	ZMJ06009	17	ZSB11021	7				
ZMH04003	5, 7	ZMJ06025	7, 17	ZSB11029	19				
ZMH04018	9	ZMJ06028	3	ZSB11115	7				